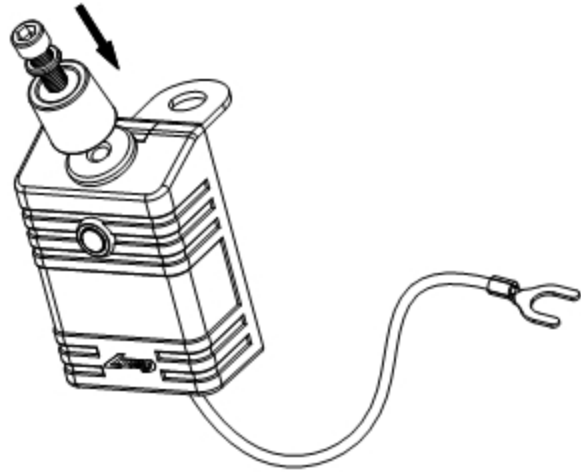


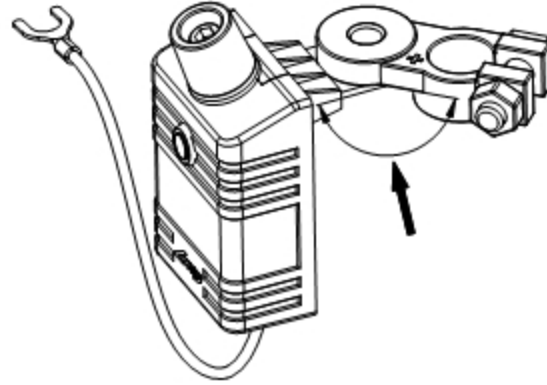
1. Install the positive terminal, lock the screw.

(Can also use the negative terminal)



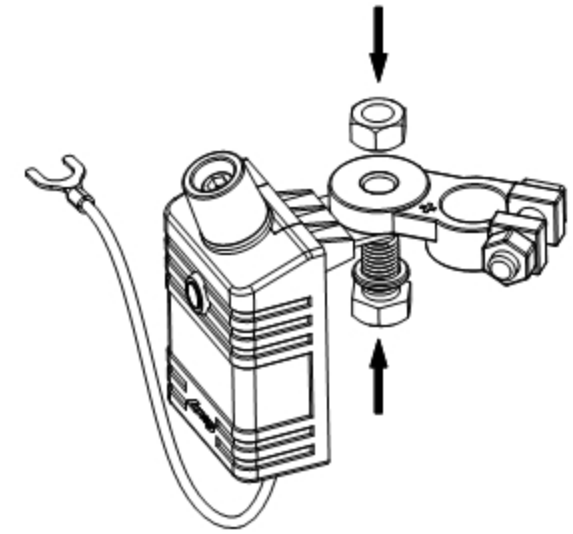
2. Confirm the install place with the battery of car, revise the angle of the positive terminal.

(Can also use the negative terminal)



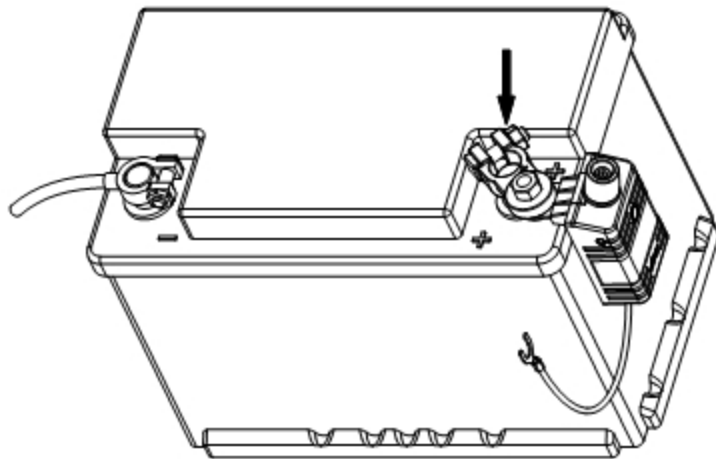
3. Install the positive adapter, lock the screw and nut as shown in the drawing.

(Nut on top)



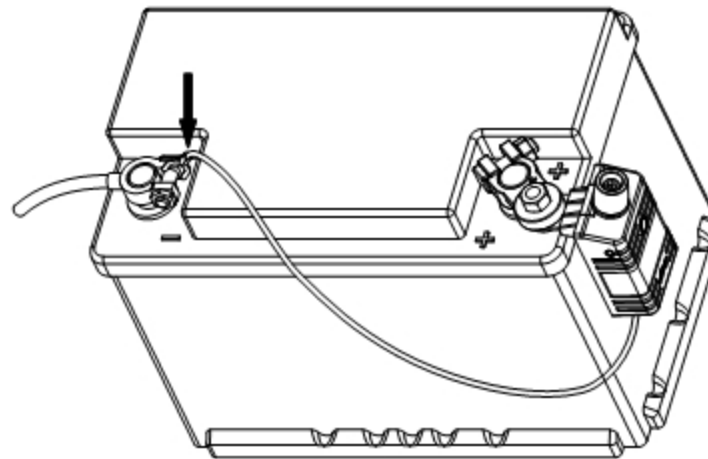
4. Install Auto starter with the battery, lock the screw

(If use the negative version, all are adverse.)



5. Install the power line of Auto starter with the battery, lock the screw.

(If use the negative version, all are adverse.)



6. Install the connector of the car with the top of the Auto starter, lock the screw.

(If use the negative version, all are adverse.)

