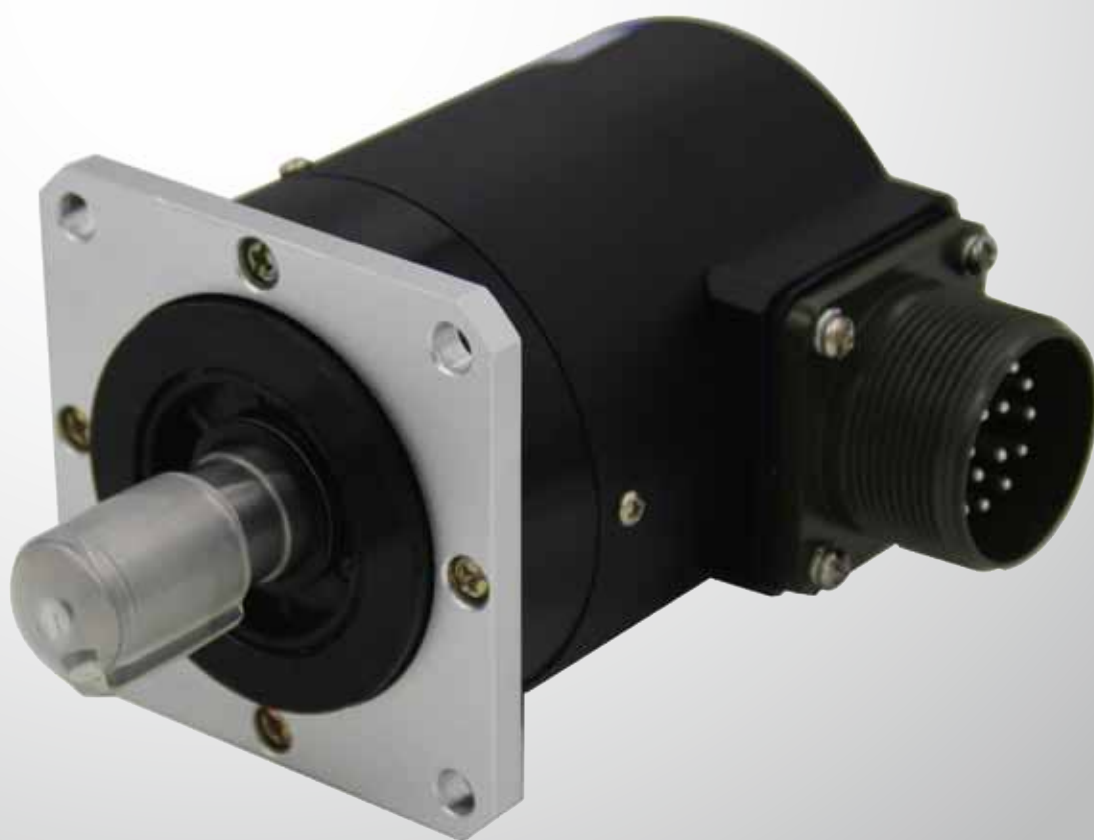


产品选型手册

Product selection guide



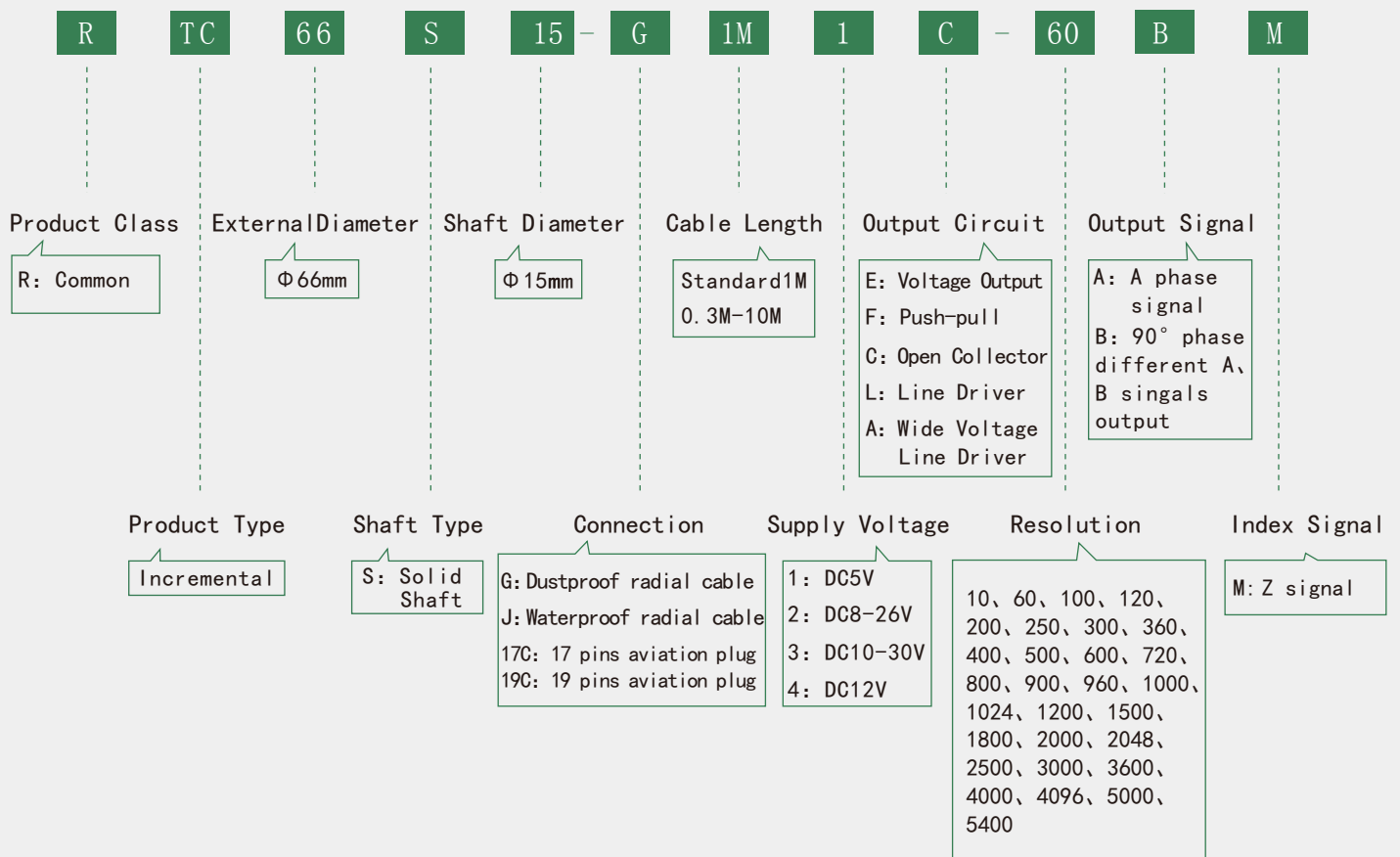
RTC66S15 · Series

Applications & Features



Product of outer diameter 66mm is widely used in various mechanical and optical light control industry. There are a variety of output forms for customers to choose, the maximum output pulses up to 5400 ppr. Pulse number can be customized according to customer requirements. Optoelectronic devices ensure high reliability, long life, anti-jamming capability, wide temperature range.

Part Number



Electrical Specifications

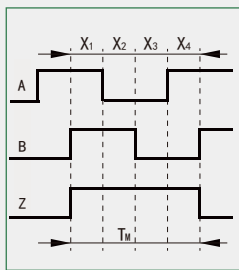
Output Circuit	Supply Voltage DC (V)	Current Requirement (mA)	(Output Voltage V)		Rise Time (ns)	Fall Time (ns)	Frequency Response (kHz)
			V _H	V _L			
E (Voltage)	5 ± 0.25	≤ 80	> 3.5	≤ 0.7	≤ 500	≤ 100	0-300
	8-26	≤ 120	> VCC-2.5	≤ 0.7	≤ 500	≤ 100	0-300
	10-30						
	12						
F (Push-pull)	5 ± 0.25	≤ 80	> 3.5	≤ 0.7	≤ 500	≤ 100	0-300
	8-26	≤ 120	> VCC-2.5	≤ 0.7	≤ 500	≤ 100	0-300
	10-30						
	12						

C (Open Collector)	5±0.25	≤60	>VCC-2.5	≤0.7	≤500	≤100	0-300
	8-26						
	10-30						
	12						
L (Line Driver)	5±0.25	≤100	>3.5	≤0.7	≤200	≤200	0-300
A (Wide Voltage Line Driver)	8-26	≤60	>VCC-2.5	≤0.7	≤500	≤100	0-300
	10-30						
	12						

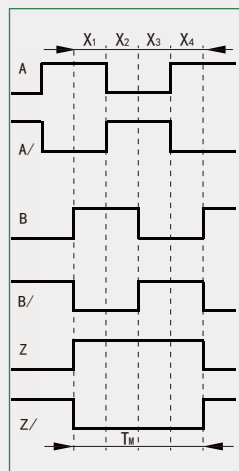
Output Circuit

E (Voltage)		F (Push-pull)		C (Open Collector)	L, A (Line Driver)
5V	8-26V	5V	8-26V		
					 L: 26C31 A: ET7272B

Output Waveform



Waveform for C, E, F output



Waveform for L, A output

Wave Ratio : $X_1+X_2=0.5T \pm 0.1T$
 $X_2+X_3=0.5T \pm 0.1T$

Phase Different : $X_n \geq 0.125T$ ($n=1, 2, 3, 4$)

Absolute Angle Error: $\leq 0.2T$

Cycle Error : $\leq 0.05T$

$T=360^\circ / N$ (N =lines count per revolution)

Width of Z signal

1、 $T_m=1T \pm 0.5T$

$T_m=nT \pm 0.1T$ ($n \geq 2$)

The phase relationship of Z signal and A, B signal is not stipulated.

2、 $T_m=0.5T \pm 0.25T$

$T_m=0.25T \pm 0.125T$

$T_m=0.25T \pm 0.125T$

The picture shows the clockwise (CW) waveform from the shaft side.

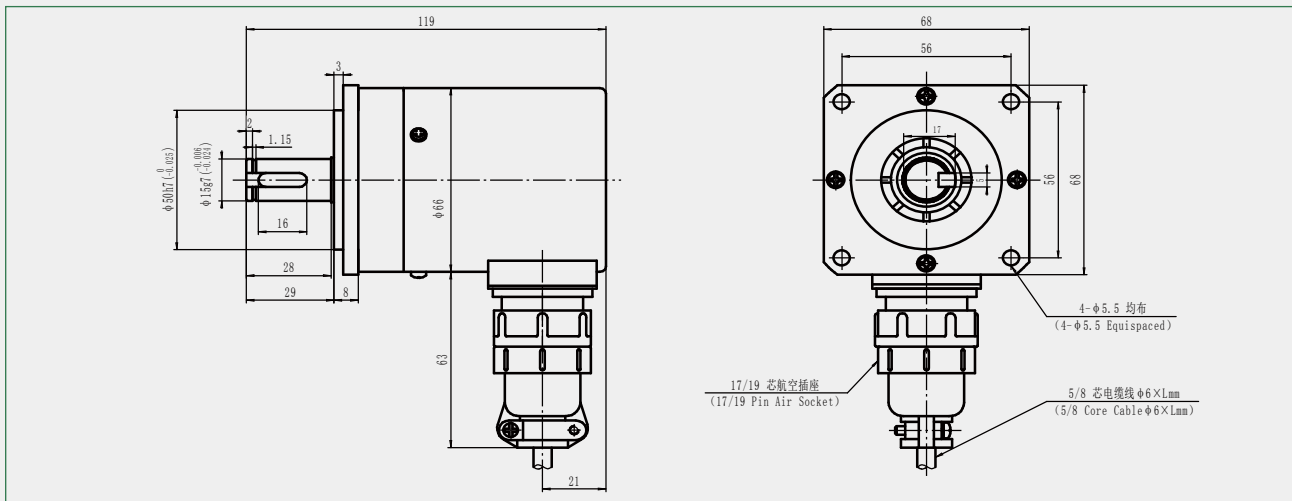
Mechanical Specifications

Max Speed (r/min)	Starting Torque (N. M)	Max Load (N)		Rotary Inertia (kgm ²)	Weight (kg)
		Radial	Axial		
6000	6×10^{-3}	40	30	8.5×10^{-6}	≈0.725

Environmental Specifications

Operating Temperature (°C)	-20~+85
Storage Temperature (°C)	-30~+90
Relative Humidity	35%~85%RH no condensation
Impact Resistance (m/s ²)	50 (Three times each on x, y, z directions, each time lasts 6ms)
Vibration Resistance (m/s ²)	20 (10~200Hz, 2h on x, y, z directions)
Protection Class	Reinforced IP65

Dimension

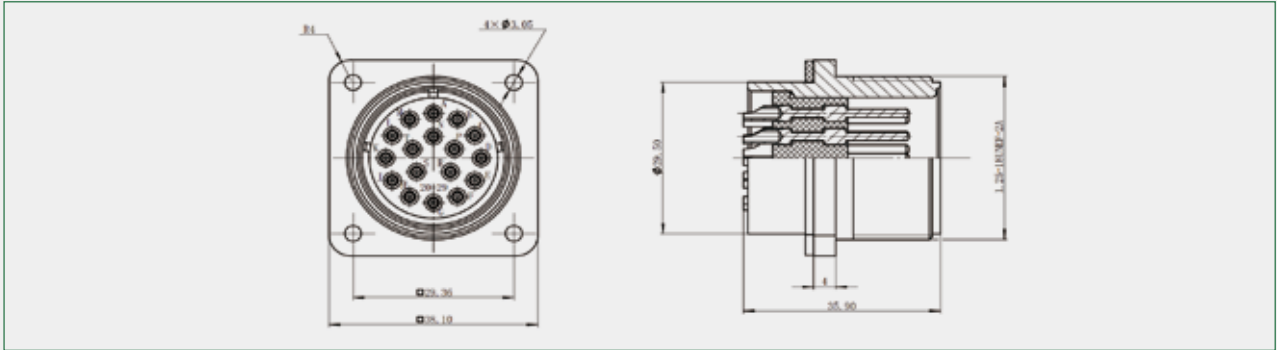


Connection

Cable Color	Red	Black	Green	Brown	White	Gray	Yellow	Orange	Shield
E (Voltage)	Vcc	0V	A	/	B	/	Z	/	G
F (Push Pull)	Vcc	0V	A	/	B	/	Z	/	G
G (Open Collector)	Vcc	0V	A	/	B	/	Z	/	G
L, A (Line Driver)	Vcc	0V	A	A	B	B	Z	Z	G

17 Pins Aviation Plug

Pins No.	A	B	C	H	K	M	N	P	R	T
Cable Color	Green	Yellow	White	Red	Black	Black	Brown	Orange	Gray	Shield
E (Voltage)	A	Z	B	Vcc	0V	0V	/	/	/	G
F (Push Pull)	A	Z	B	Vcc	0V	0V	/	/	/	G
C (Open Collector)	A	Z	B	Vcc	0V	0V	/	/	/	G
L, A (Line Driver)	A	Z	B	Vcc	0V	0V	A/	Z/	B/	G



19 Pins Aviation Plug

Pins No.	1	2	3	8	10	12	13	14	15	17
Cable Color	Green	Yellow	White	Red	Black	Black	Brown	Orange	Gray	Shield
E (Voltage)	A	Z	B	Vcc	0V	0V	/	/	/	G
F (Push Pull)	A	Z	B	Vcc	0V	0V	/	/	/	G
C (Open Collector)	A	Z	B	Vcc	0V	0V	/	/	/	G
L, A (Line Driver)	A	Z	B	Vcc	0V	0V	A/	Z/	B/	G

