

产品选型手册

Product selection guide



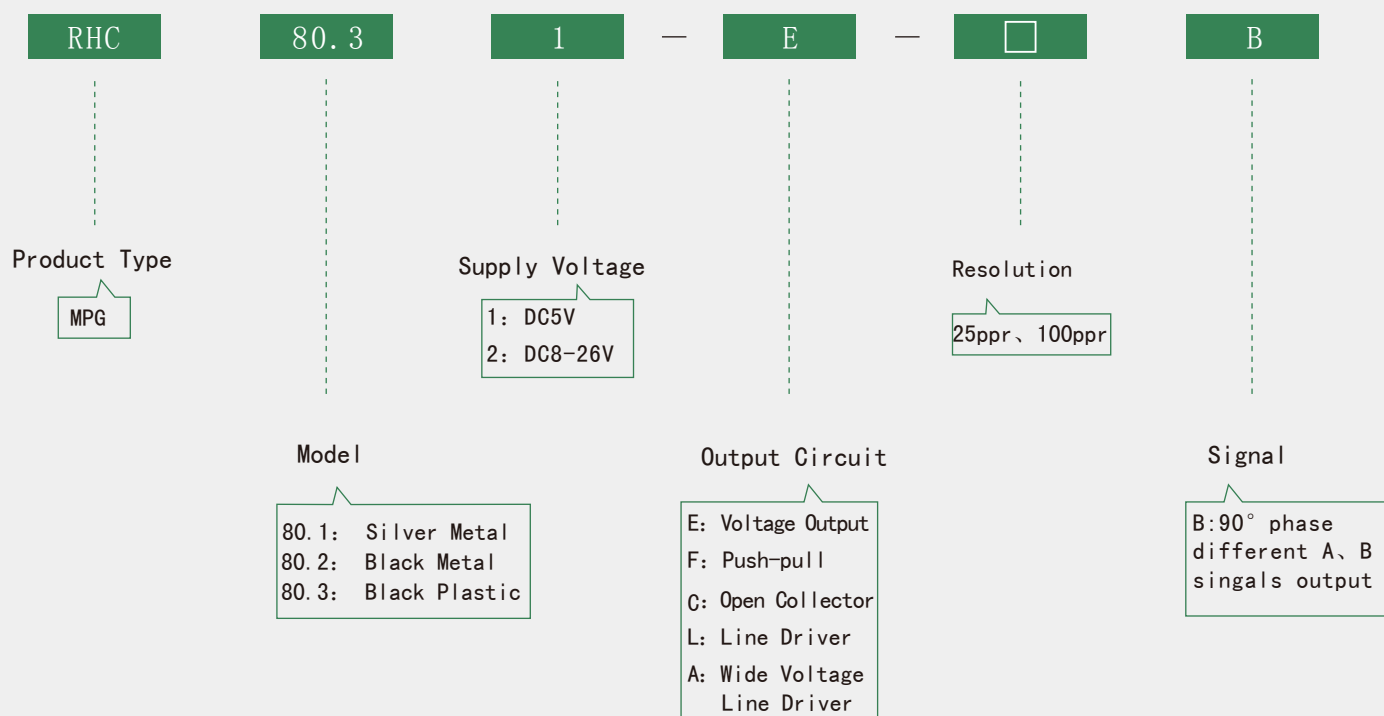
RHC80.3 Series

Applications & Features



All-plastic housing design, ultra-compact, weight 0.145kg.
 Metal gear, with good rotating hand feeling.
 Line driver output ensures strong anti-jamming capability.
 Particularly suitable for the compact control panel design.
 Metal housing optional.

Part Number

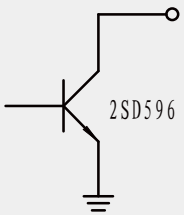
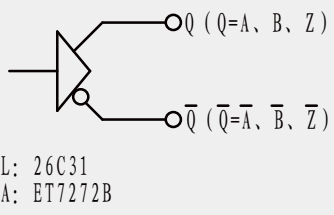
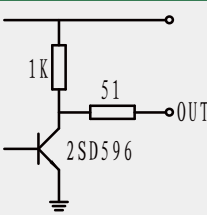
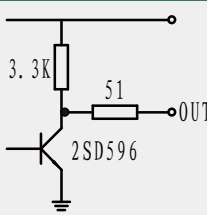
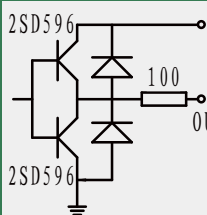
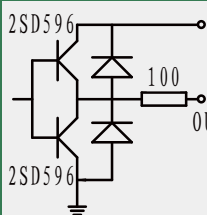


Electrical Specifications

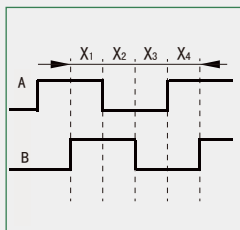
Output Circuit	Supply Voltage DC (V)	Current Requirement (mA)	Output Voltage (V)		Rise Time (ns)	Fall Time (ns)	Frequency Response (kHz)
			V _H	V _L			
E (Voltage)	5 ± 0.25	≤ 80	> 3.5	≤ 0.7	≤ 500	≤ 100	0-100
	8-26	≤ 120	> VCC-2.5	≤ 0.7	≤ 500	≤ 100	0-100
F (Push-pull)	5 ± 0.25	≤ 80	> 3.5	≤ 0.7	≤ 500	≤ 100	0-100
	8-26	≤ 120	> VCC-2.5	≤ 0.7	≤ 500	≤ 100	0-100

C (Open Collector)	5 ± 0.25	≤ 60	$> V_{CC} - 2.5$	≤ 0.7	≤ 500	≤ 100	0-100
	8-26						
L (Line Driver)	5 ± 0.25	≤ 100	> 3.5	≤ 0.7	≤ 200	≤ 200	0-100
A (Wide Voltage Line Driver)	8-26	≤ 60	$> V_{CC} - 2.5$	≤ 0.7	≤ 500	≤ 100	0-100

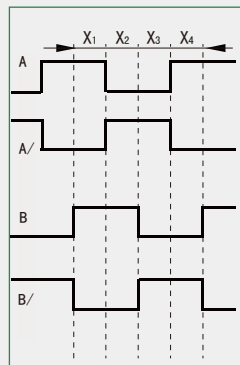
Output Circuit

E (Voltage)		F (Push-pull)		C (Open Collector)	L, A (Line Driver)
5V	8-26V	5V	8-26V		 <p>L: 26C31 A: ET7272B</p>
					

Output Waveform



Waveform for C, E, F output



Waveform for L, A output

Wave Ratio : $X_1 + X_2 = 0.5T \pm 0.1T$
 $X_2 + X_3 = 0.5T \pm 0.1T$

Phase Different : $X_n \geq 0.125T$ ($n=1, 2, 3, 4$)

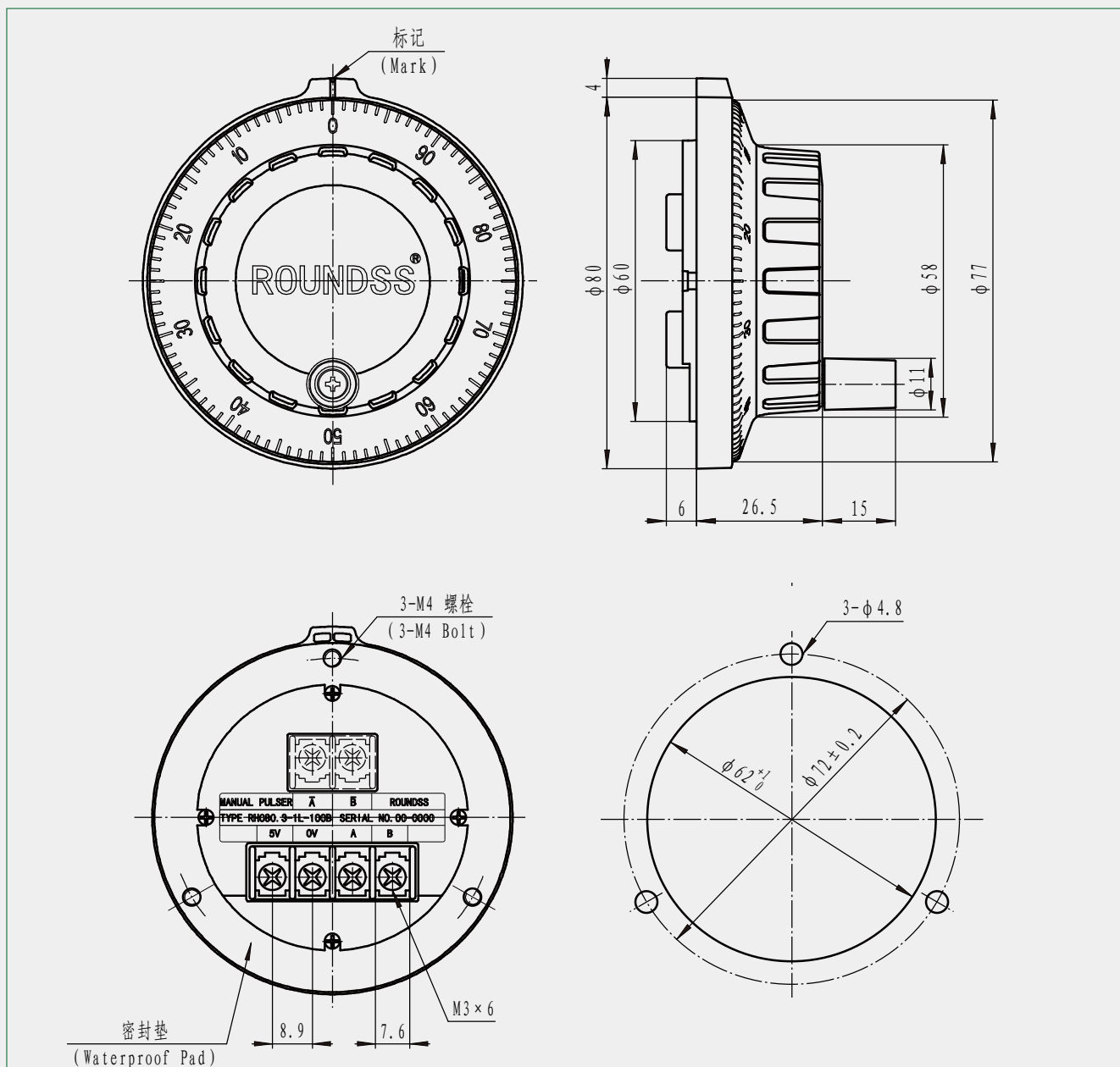
Absolute Angle Error: $\leq 0.2T$

Cycle Error : $\leq 0.05T$

$T = 360^\circ / N$ ($N = \text{lines count per revolution}$)

Environmental Specifications

Max. Speed	600r/min
Operating Temp.	$-10 \sim +60^\circ\text{C}$
Store Temp.	$-20 \sim +70^\circ\text{C}$
Size	80mm
Weight	Approx. 0.145kg



Changchun Rongde Optics Co., Ltd

www.roundssencoder.com

