

产品选型手册

Product selection guide



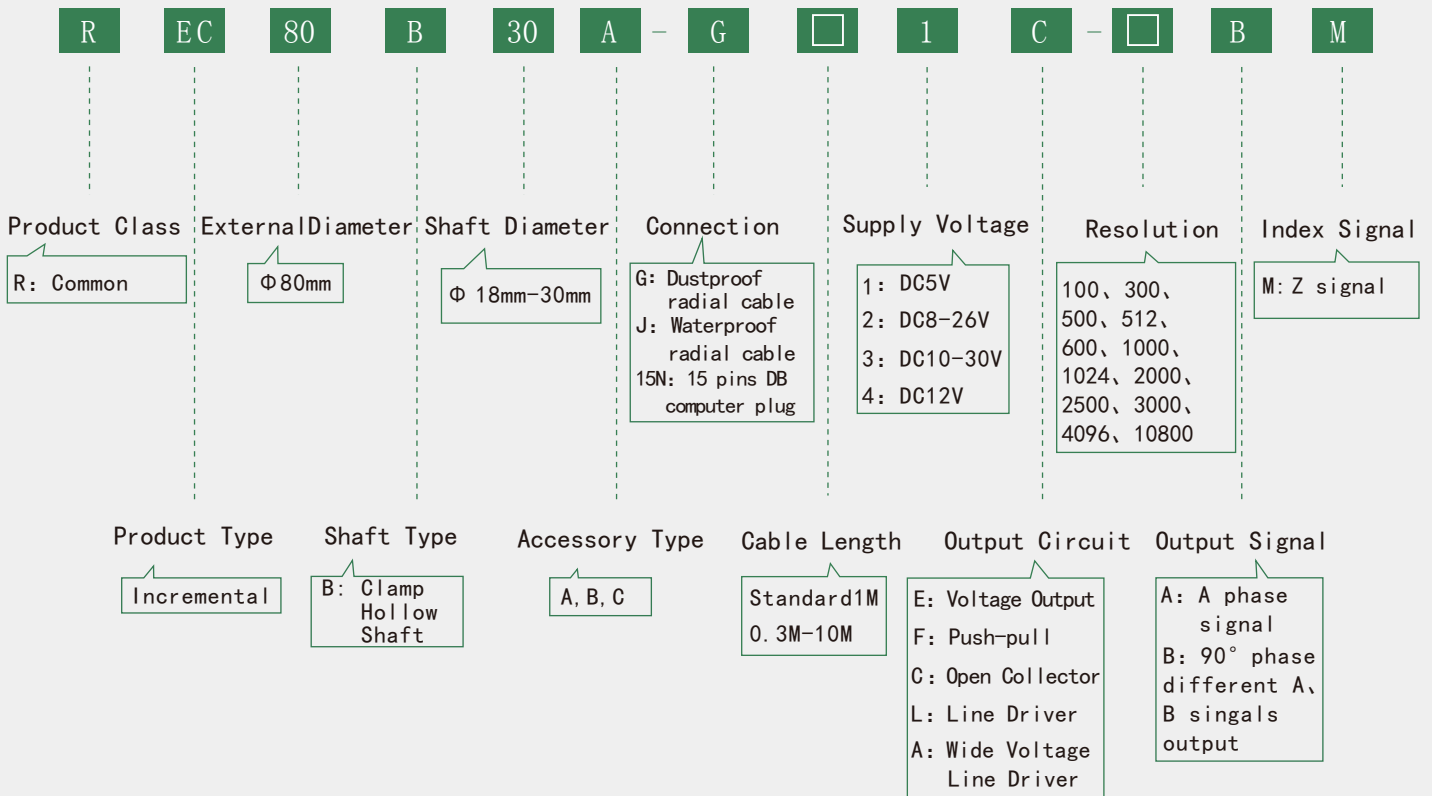
REC80B · Series

Applications & Features



REC80B is ultra-thin design to save space. Multiple mounting brackets are available for easy installation. Wide through hollow shaft from 18mm to 30mm. Widely used for elevators, light industrial machinery, displacement and speed measurement. Imported optoelectronic devices with high reliability, long life, strong anti-interference ability, wide range of operating temperature.

Part Number



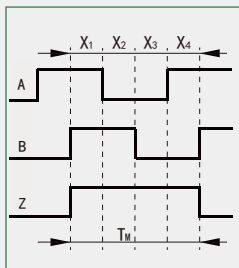
Electrical Specifications

Output Circuit	Supply Voltage DC (V)	Current Requirement (mA)	(Output Voltage V)		Rise Time (ns)	Fall Time (ns)	Frequency Response (kHz)
			V _H	V _L			
E (Voltage)	5±0.25	≤80	>3.5	≤0.7	≤500	≤100	0-300
	8-26	≤120	>VCC-2.5	≤0.7	≤500	≤100	0-300
	10-30						
	12						
F (Push-pull)	5±0.25	≤80	>3.5	≤0.7	≤500	≤100	0-300
	8-26	≤120	>VCC-2.5	≤0.7	≤500	≤100	0-300
	10-30						
	12						
C (Open Collector)	5±0.25	≤60	>VCC-2.5	≤0.7	≤500	≤100	0-300
	8-26						
	10-30						
	12						
L (Line Driver)	5±0.25	≤100	>3.5	≤0.7	≤200	≤200	0-300
A (Wide Voltage Line Driver)	8-26	≤60	>VCC-2.5	≤0.7	≤500	≤100	0-300
	10-30						
	12						

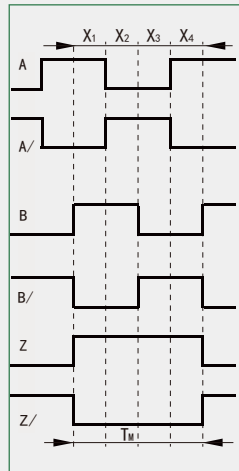
Output Circuit

E (Voltage)		F (Push-pull)		C (Open Collector)	L, A (Line Driver)
5V	8-26V	5V	8-26V		
					 L: 26C31 A: ET7272B

Output Waveform



Waveform for C, E, F output



Waveform for L, A output

Wave Ratio : $X1+X2=0.5T \pm 0.1T$
 $X2+X3=0.5T \pm 0.1T$

Phase Different : $Xn \geq 0.125T$ ($n=1, 2, 3, 4$)

Absolute Angle Error: $\leq 0.2T$

Cycle Error : $\leq 0.05T$

$T=360^\circ / N$ (N =lines count per revolution)

Width of Z signal

1, $Tm=1T \pm 0.5T$

$Tm=nT \pm 0.1T$ ($n \geq 2$)

The phase relationship of Z signal and A, B signal is not stipulated.

2, $Tm=0.5T \pm 0.25T$

$Tm=0.25T \pm 0.125T$

$Tm=0.25T \pm 0.125T$

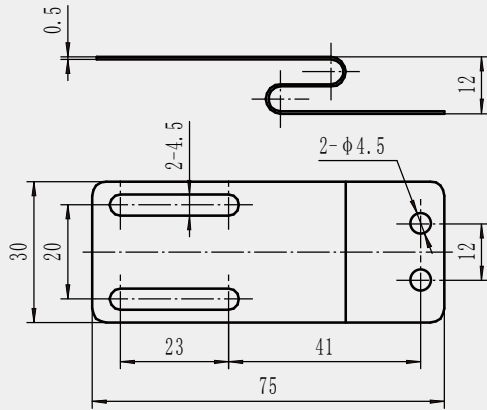
The picture shows the clockwise (CW) waveform from the shaft side.

Mechanical Specifications

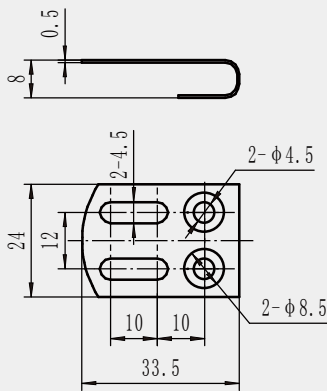
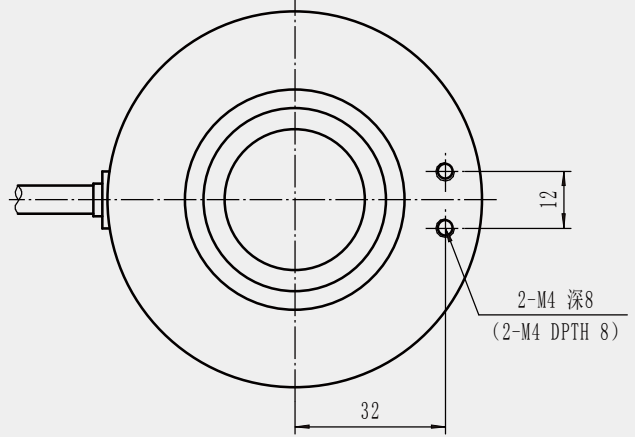
Max Speed (r/min)	Starting Torque (N. M)	Max Load (N)		Rotary Inertia (kgm ²)	Weight (kg)
		Radial	Axial		
4000	3×10^{-2}	40	20	6×10^{-6}	≈ 0.42

Environmental Specifications

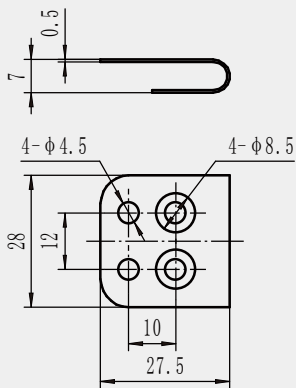
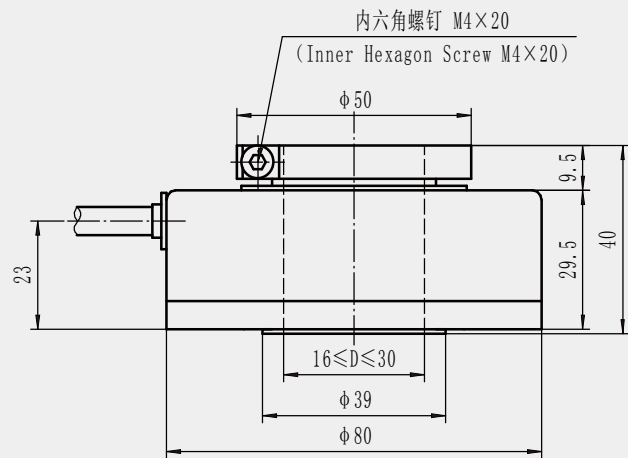
Operating Temperature (°C)	-20~+85
Storage Temperature (°C)	-30~+95
Relative Humidity	35~85%RH no condensation
Impact Resistance (m/s ²)	50(Three times each on x, y, z directions, each time lasts 6ms)
Vibration Resistance (m/s ²)	20 (10 ~200Hz, 2h on x, y, z directions)
Protection Class	Common IP52



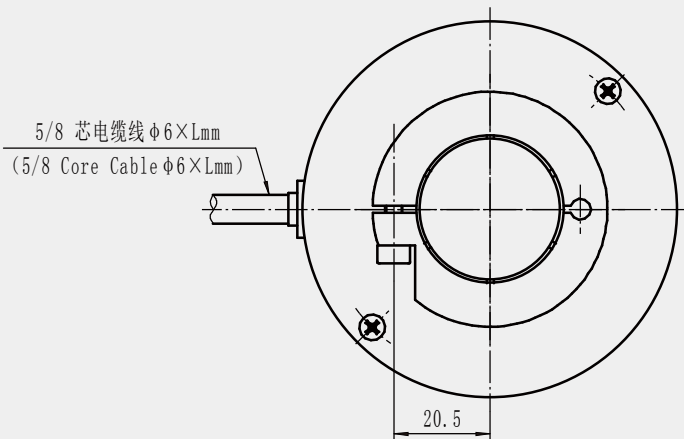
附件A (Accessory A)



附件B (Accessory B)

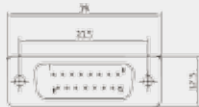


附件C (Accessory C)



Cable Color	Red	Black	Green	Brown	White	Gray	Yellow	Orange	Shield
E (Voltage)	Vcc	0V	A		B		Z		G
F (Push Pull)	Vcc	0V	A		B		Z		G
G (Open Collector)	Vcc	0V	A		B		Z		G
L, A (Line Driver)	Vcc	0V	A	A/	B	B/	Z	Z/	G

15 Pins DB Computer Plug



Pins No.	7	5	4	2	11	13	14	10	8
Cable Color	Red	Yellow	White	Black	Green	Gray	Brown	Orange	Shield
E (Voltage)	Vcc	Z	B	0V	A				G
F (Push Pull)	Vcc	Z	B	0V	A				G
G (Open Collector)	Vcc	Z	B	0V	A				G
L, A (Line Driver)	Vcc	Z	B	0V	A	B/	A/	Z/	G

