

# 产品选型手册

Product selection guide



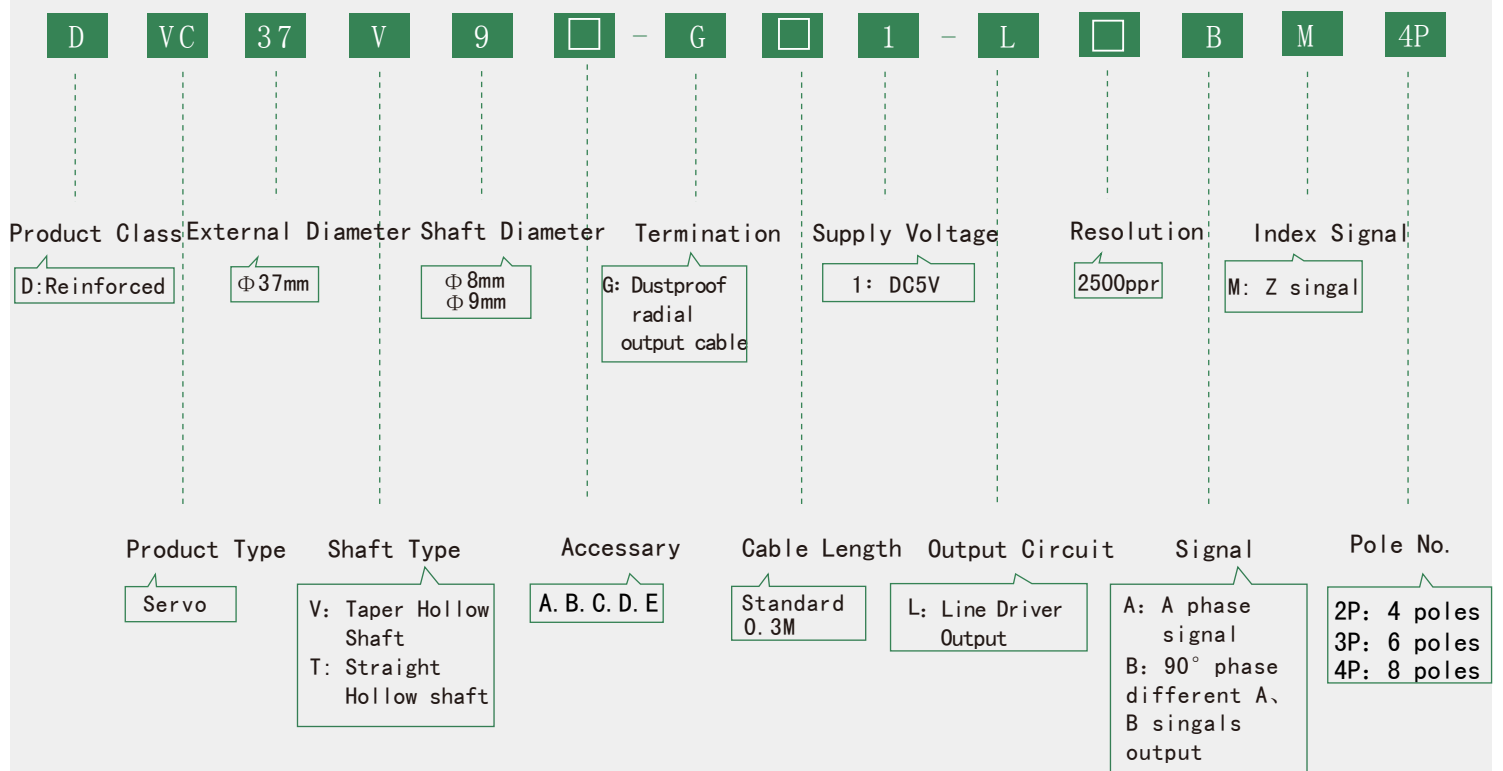
DVC 37 • Series

# Applications & Features



Compact, slim design, high-precision, resolutions up to 2500ppr. Straight and taper shaft are optional. Import optoelectronic components, high anti-interference ability.

## Part Number



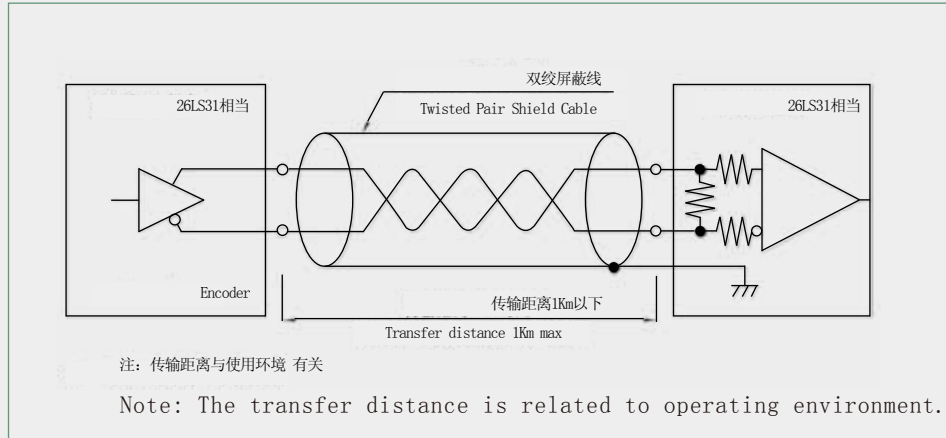
## Specifications

Mechanical Specifications	Standard Type	
	Universal Max Rotating Speed	8000rpm
Max Rotating Speed	15000rpm	
Start Torque	9.8×10 N·m (100gk·cm Max)	
Moment of Inertia	6.5×10 kg·m <sup>2</sup> (65g·cm <sup>2</sup> Max)	
Mounting Tolerance	Radial Play 0.05mm TIR Max	
	Axial Play 0.2mm Max	
	Angular Inclination 0.1° Max	
Breaking Strength of Shaft and Bearing	≥650N	
Axial Pressure±10N	Axial End-play Within ±0.005mm	

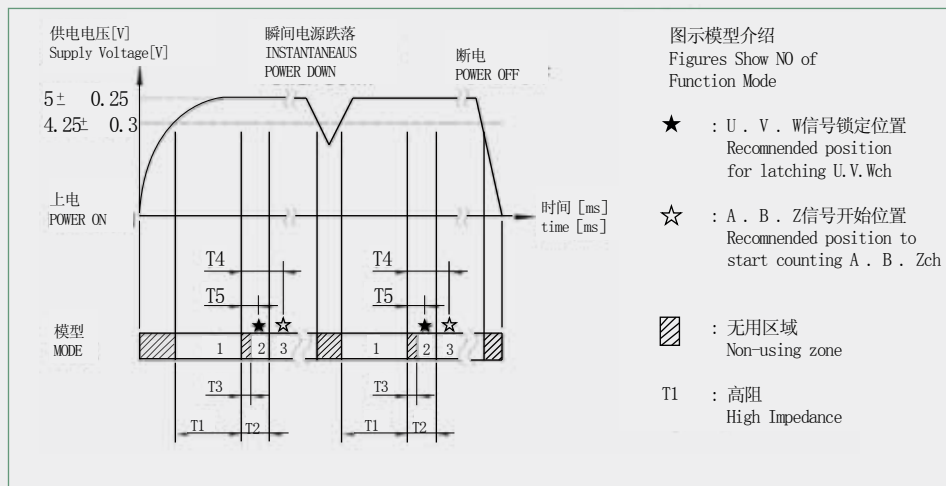
  

Electrical Specifications	Standard	Less Wiring
	Output Mode	Square Wave(TTL) 26LS31
Supply Voltage (V)	5V±5%	
Consumption Current (mA)	≤60mA	≤80mA
Max Response Frequency (kHz)	300kHz	
Rise time & Fall Time	100nec Max	
Operating Temp. Range	-20~+85℃	
Storage Temp.	-30~+120℃	
Weight	0.05kg Max	
Protection Class	IP 50	

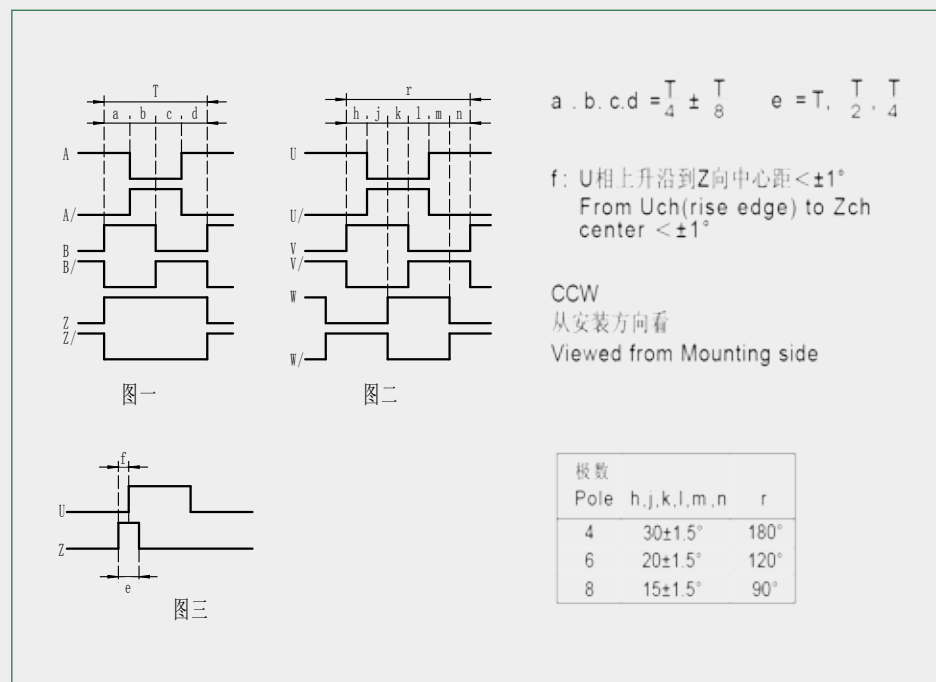
# Line Driver Output

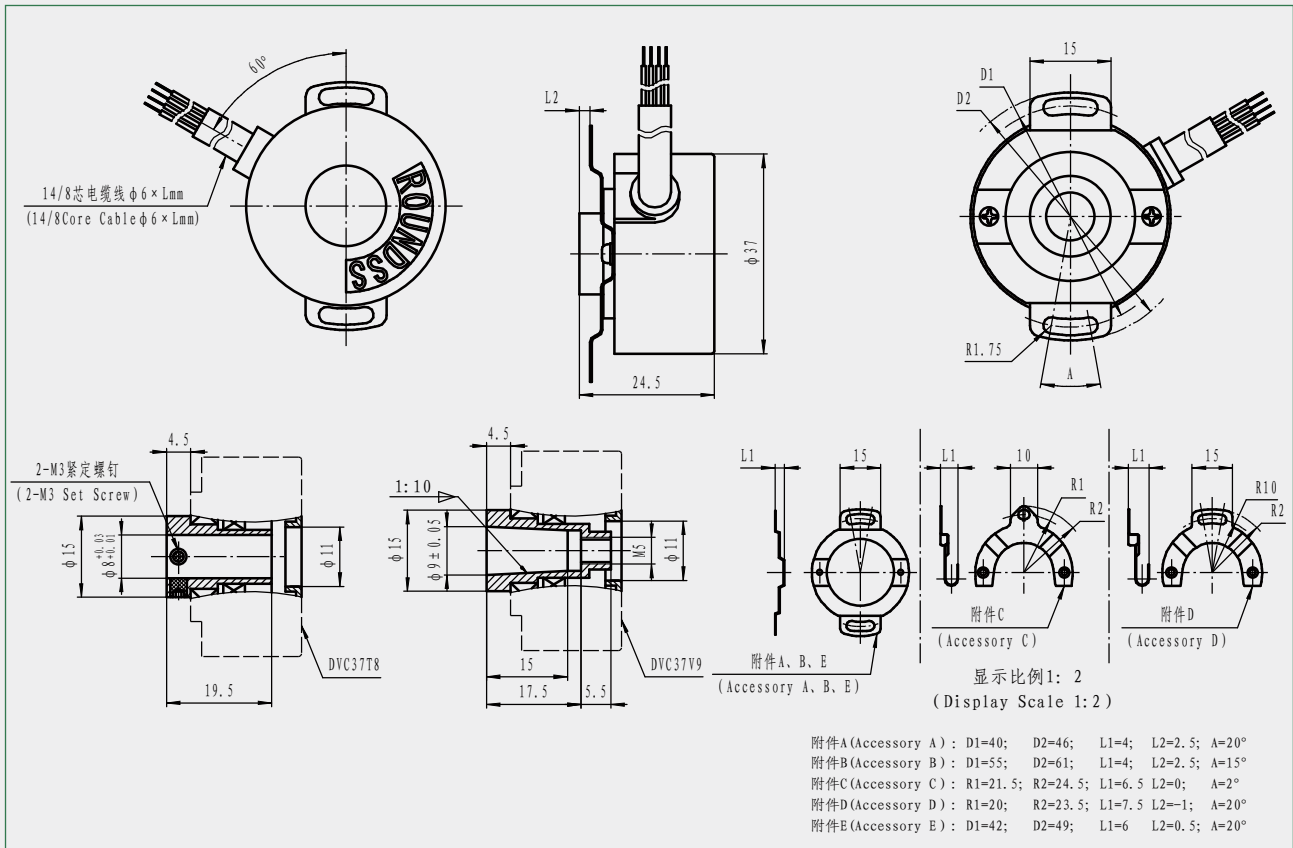


# Less Wiring Type Timing Chart



# Output Phase Shift





# Connection

## Standard Type

Color	Red	Black	Gray	Green	Yellow	Brown	Blue	Orange
Line Driver	DC+5V	GND	A	B	Z	U	V	W

Color	White/Gray	White/Green	White/Yellow	White/Brown	White/Blue	White/Orange	Shield
Line Driver	$\bar{A}$	$\bar{B}$	$\bar{Z}$	$\bar{U}$	$\bar{V}$	$\bar{W}$	G

## Less Wire Type

Color	Red	Black	Gray	Green	Yellow	Brown	Blue	Orange	Shield
Line Driver	DC+5V	GND	U/A	V/B	W/Z	$\bar{U}/\bar{A}$	$\bar{V}/\bar{B}$	$\bar{W}/\bar{Z}$	G

China Rongde Optics Co., Ltd

www.roundssencoder.com

