

# FOYO

## CEBA SERIES

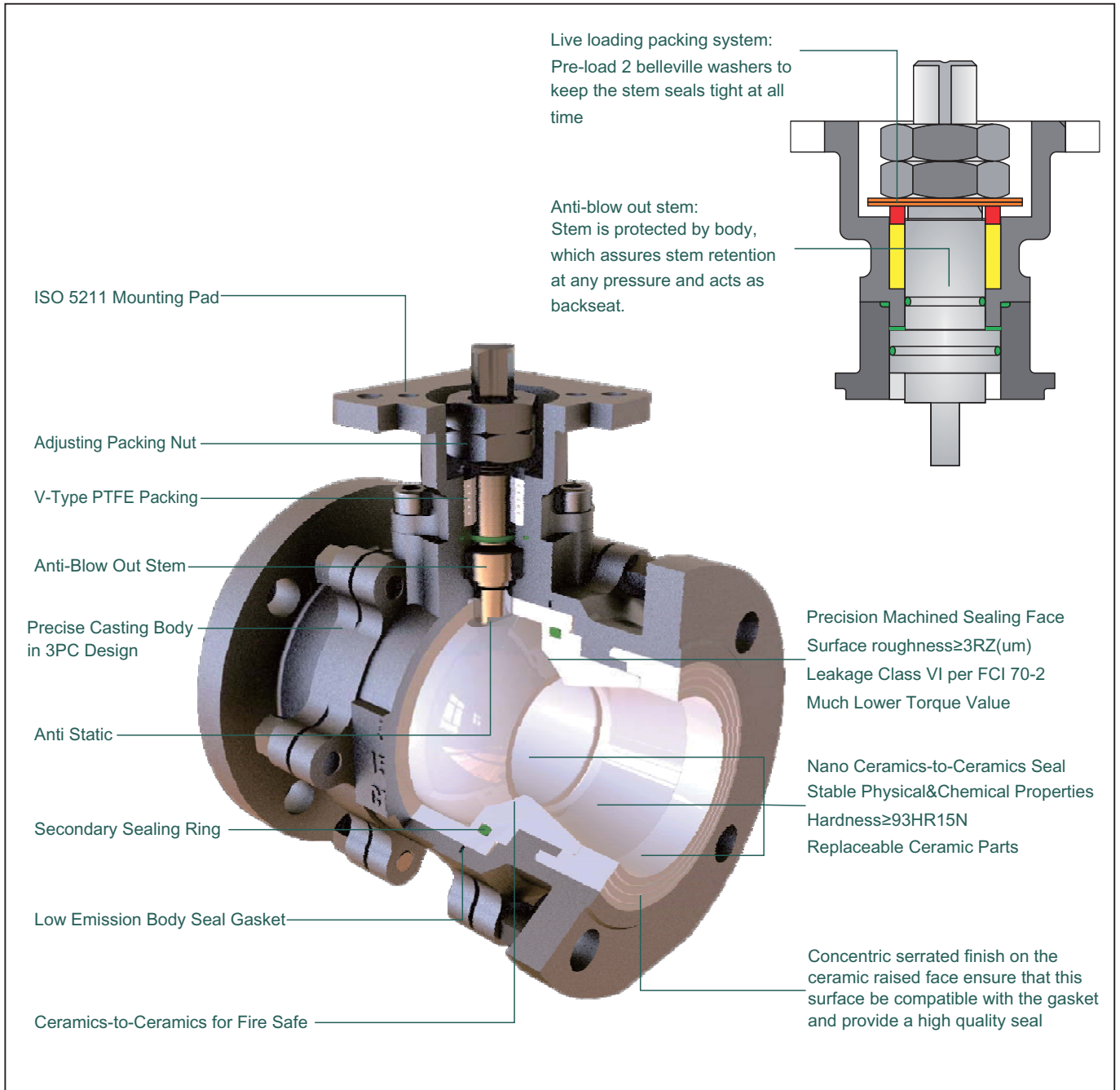
### Ceramic Lined Ball Valve

For Extreme Corrosive & Abrasive Applications



FOYO VALVE CO., LIMITED

**TECHNICAL DESCRIPTION**



**Product Type**

Ceramics seated and Lined ball valve  
Flange Ends  
Lever, Pneumatic, Electric are all optional  
Floating ball design

**Pressure Ratings**

PN10,PN16; ASME Class 150

**Size Range**

DN 25~100 / 1"~4"

**Temperature Range**

-29 °C ~ +200 °C  
-20 °C ~ +390 °C

**Design Standards**

Valve Design ASME B16.34  
Face-to-Face ASME B16.10  
Flange Ends ASME B16.5, EN1092-1  
Valve Testing API 598

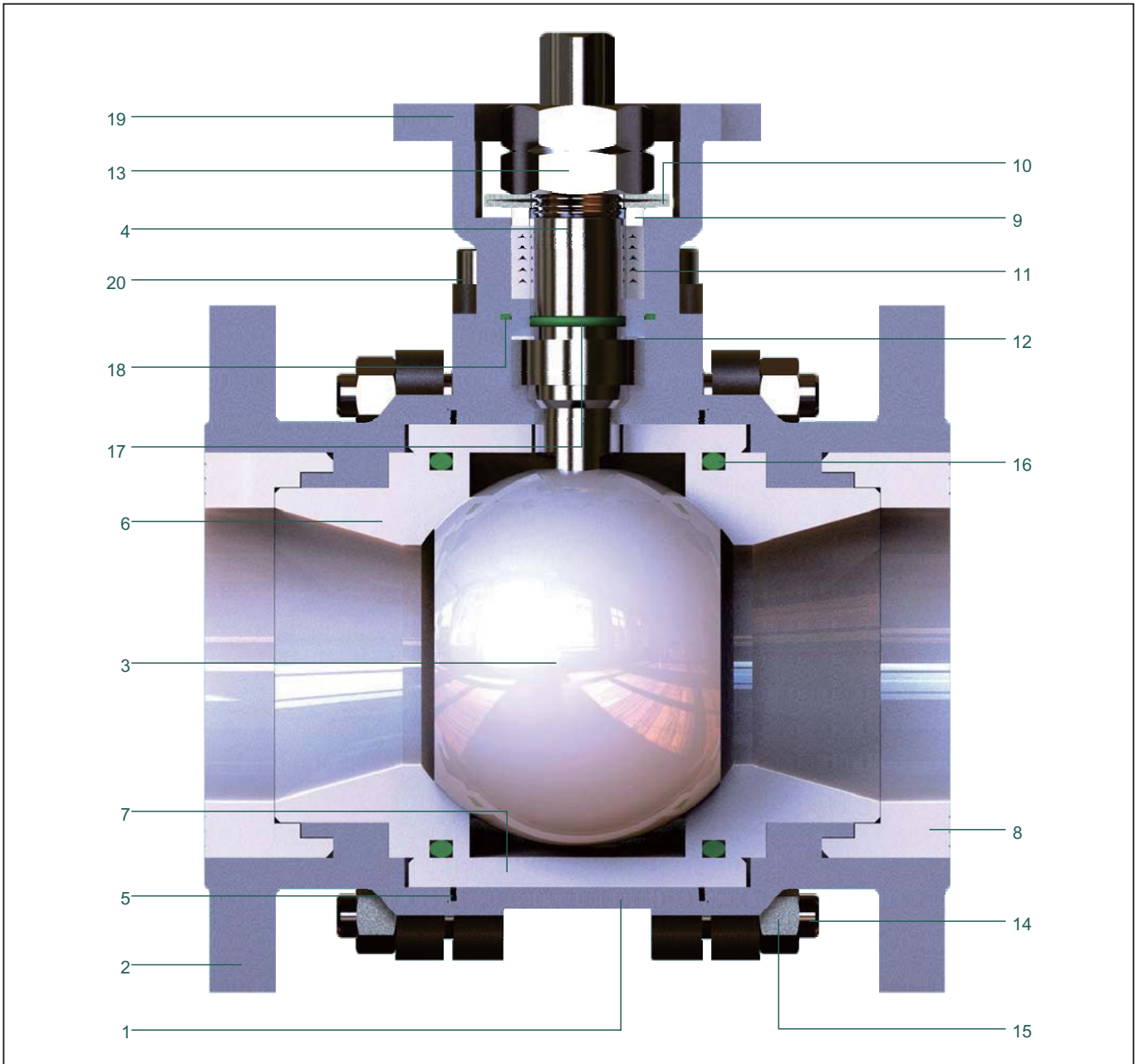
**Valve Allowable Leakage**

ANSI/FCI 70-2 Table 1 Class VI

**Applications:**

- Chloride Crystals Containing Iron
- Chloride
- Hydroxygen Compounds
- Gypsum Slurry
- Silicone Powder
- Pulp Slurry
- Fly Ash
- Lime Stone Slurry
- Mining Slurry
- Salt Slurry
- Potassium Carbonate
- Sulfite Crystals

SECTION VIEW



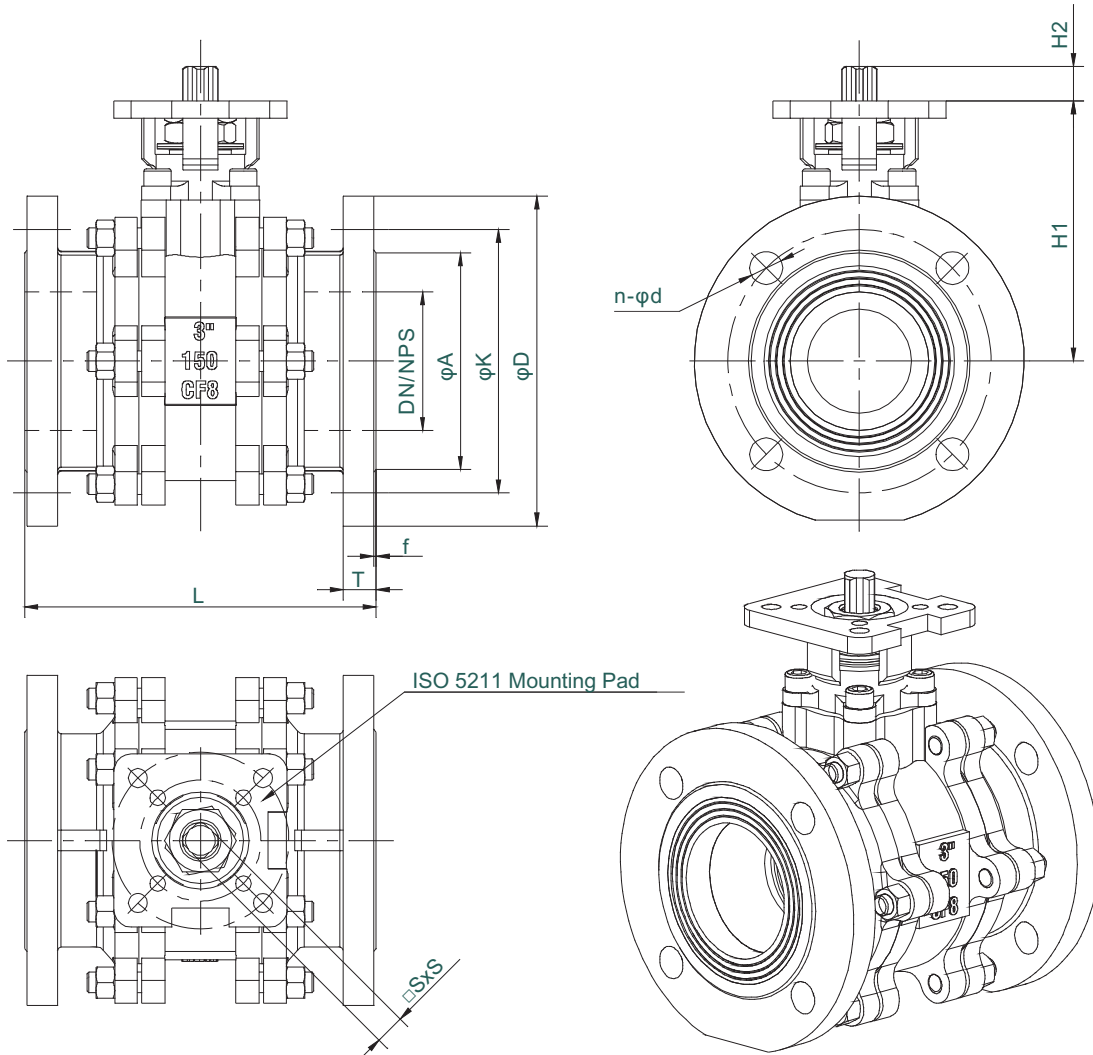
PARTS LIST

Item	Part Name	Material(standard)
1	Body	ASTM A351 CF8
2	Body End	ASTM A351 CF8
3	Ball	Ceramics(ZrO2)
4	Stem	ASTM A276 304
5	Gasket-Body	PTFE
6	Seat Ring	Ceramics(Al2O3)
7	Bushing	Ceramics(Al2O3)
8	Clamp Ring	Ceramics(Al2O3)
9	Gland	ASTM A276 304
10	Belleville Washer	SS304

Item	Part Name	Material(standard)
11	Gland Packing	PTFE
12	Stem Seal	PTFE
13	Gland Nut	SS304
14	Body Bolt	ASTM A193 B8
15	Body Nut	ASTM A194 8
16	O Ring-Seat	Viton
17	O Ring-Stem	Viton
18	Gasket Bonnet	Viton
19	Bonnet	ASTM A351 CF8
20	Bolt-Bonnet	ASTM A193 B8

Note: Material of parts may be variable against different applications, please contact FOYO for professional proposal.

**GENERAL ASSEMBLY DRAWING**



**DIMENSION**

SIZE		L	ISO5211 Flg.	□SxS	H	H1	ANSI B16.5 CL150 RF						EN1092-1 PN16 RF					
DN	NPS						φD	φK	φA	n-φd	T	f	φD	φK	φA	n-φd	T	f
25	1"	127	F04-F05	9x9	64	12	110	79.4	50.8	4-16	14	2	115	85	68	4-16	18	2
40	1-1/2"	165	F05-F07	11x11	87	14	125	98.4	73.0	4-16	16	2	150	110	88	4-16	18	2
50	2"	178	F05-F07	14x14	91	14	150	120.7	92.1	4-19	18	2	165	125	102	4-19	18	2
65	2-1/2"	190	F07-F10	19x19	140	20	180	139.7	104.8	4-19	18	2	185	145	122	8-19	20	2
80	3"	203	F07-F10	19x19	153	20	190	152.4	127.0	4-19	20	2	200	160	138	8-19	20	2
100	4"	229	F10-F12	22x22	175	24	230	190.5	157.2	8-19	24	2	220	180	158	8-19	24	2

Note: Customized Dimension is acceptable if on request.

**FOYO VALVE CO.,LTD.**

Tong'an · Xiamen · Fujian · China · 361100

Tel: +86-592-7015182

Fax: +86-592-7056137

Email: [sales@foyovalve.com](mailto:sales@foyovalve.com)

Please visit us at [www.foyovalve.com](http://www.foyovalve.com)

**REPRESENTED BY:**