

Dongguan Houjie Keming Electronic Factory

Tel: 86-769-85933616

Fax: 86-769-85994676

Web: www.dgkeming.com.cn

Specifications of 14 segment LED display

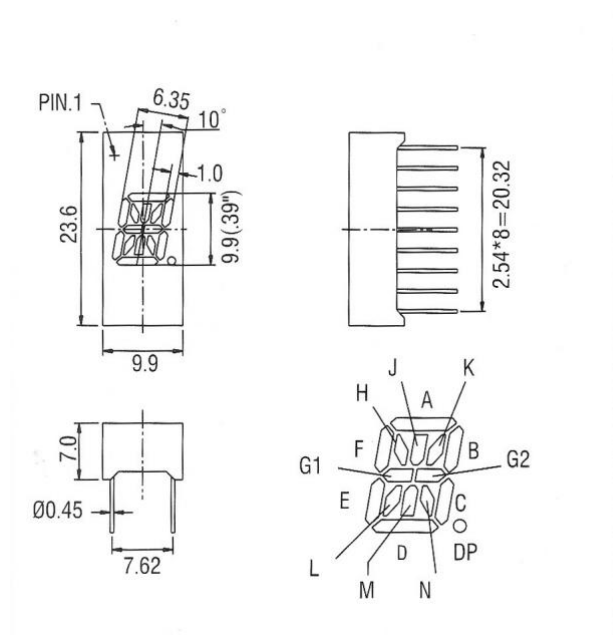
Part: KEM-3914-BW

Features:

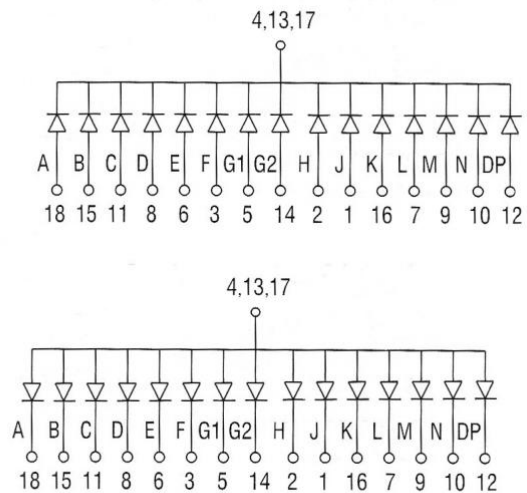
Digit height	0.39"	Epoxy color	yellow
Digit quantity	One	Pin configuration	Common anode
Surface color	Black	Emitting color	white

Package dimension& Internal circuit diagram

Common cathode



P-3194A



Common anode

Notes:

- . All dimensions are in millimeters (inches).
- . Tolerance is 0.25(0.01) unless otherwise noted.
- . Specifications are subject to change without notice.

Address: No.1 Ping' an street, Xiangdong new village, Baihao industrial district, Houjie town, Dongguan city, Guangdong province, China

Dongguan Houjie Keming Electronic Factory

Tel: 86-769-85933616

Fax: 86-769-85994676

Web: www.dgkeming.com.cn

ABSOLUTE MAXIMUM RATINGS (Ta=25°C)

ITEM	Amber	Super green	Super red	High red	Ultra red	High red	Yellow green	Yellow	Blue	Pure green	White	Unit
Power Dissipation (Pd)	34	34	32	32	36	32	34	34	56	56	56	mW
Peak Forward Current(I _{fp})	100	100	100	100	100	100	100	100	100	100	100	mA
Continuous Forward Current(I _f)	18	18	18	18	18	18	18	18	20	20	20	mA
Reverse Voltage (V _r)	5	5	5	5	5	5	5	5	5	5	5	V
Reverse Current(I _r)	20	20	20	20	20	20	20	20	20	20	20	Ua
Operating Temperature Range(T _a)	-35~+85											°C
Storage Temperature Range(T _{stg})	-35~+85											°C
Lead Solder Temperature	260°C for 3 sec											

Color Code & Chip characteristic:

Emitting Color	Test Condition	Wavelength(nm)		Forward Voltage(V)		Luminous Intensity (mcd)	
		(λ _p)	Δλ	Typ	Max	Typ	Max
Amber	IF=18mA	600-605	30	1.9	2.0	100	110
Super green	IF=18mA	565-575	30	1.9	2.0	48	55
Super red	IF=18mA	620-625	20	1.8	2.0	55	80
Ultra red	IF=18mA	620-625	20	2	2.1	220	250
Ultra red	IF=18mA	620-625	20	2	2.1	390	420
High red	IF=18mA	638-660	20	1.8	1.9	15	20
Yellow green	IF=18mA	570-580	30	1.9	2.0	43	50
Yellow	IF=18mA	580-600	35	1.9	2.0	70	80
Blue	IF=20mA	465-475	40	2.8	3.0	200	220
Pure green	IF=20mA	515-525	40	2.8	3.0	260	300
White	IF=20mA	-	-	2.8	3.0	250	300

Address: No.1 Ping' an street, Xiangdong new village, Baihao industrial district, Houjie town, Dongguan city, Guangdong province, China