

# Dongguan Hongke Lighting Co.,LTD

Tel:86-769-85933616

Fax:86-769-85994676

Email:sales1@hklighting.com.cn

---

## LED Product Specifications

Product Name: 3 watts 660nm Red LED;

Version No.: 01

### Product Description:

- 3 Watts high power LED
- Colloid Color: Water clear
- Emission Color: Red
- Viewing Angle:140°

Dice Material: InGaAlN



Add.No.3 Gongye Street, Baihao Industrial District, Houjie Town, Dongguan City, Guangdong Province, China 523957

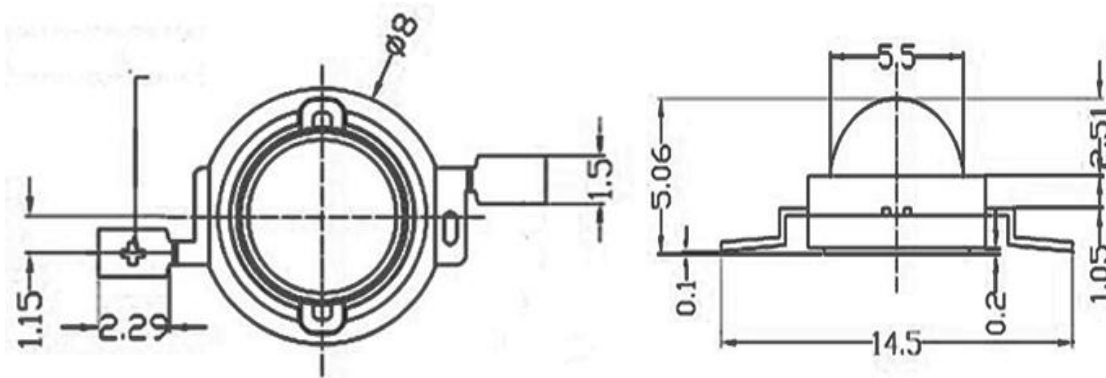
# Dongguan Hongke Lighting Co.,LTD

Tel:86-769-28682546

Fax:86-769-28682546

Email:sales1@hklighting.com.cn

## Outline Drawing



### Notes:

1. All dimensions area in mm tolerance is  $\pm 0.25\text{mm}$  unless otherwise noted.
2. An epoxy meniscus may extend about 1.2mm down the leads.
3. Burr around bottom of epoxy may be 0.5mm max.

Add:No.3 Gongye Street, Baihao Industrial District, Houjie Town, Dongguan City, Guangdong Province, China 523957 2

# Dongguan Hongke Lighting Co.,LTD

Tel:86-769-28682546

Fax:86-769-28682546

Email:sales1@hklighting.com.cn

## Absolute Maximum Ratings (Ta = 25°C)

Items	Symbol	Maximum	Units
DC Forward Current	$I_F$	300	mA
Peak pulse current	$I_{Pulse}$	500	mA
Reverse Voltage	$V_R$	10	V
Power consumption	$P_D$	3	W
Operation Temperature	$T_{opr}$	-20~+75	°C
Storage Temperature	$T_{stg}$	-30~+80	°C
Lead Soldering Temperature	$T_{sol}$ (3mm from the base of the body)	Max 260°C for 5 sec Max.	

\* Pulse width  $\leq 0.1$ msec duty  $\leq 1/10$

## Product Optical Properties (Ta = 25°C)

Item	Symbol	Conditions	Min	Average	Max	Units
Forward Voltage	$V_F$	$I_F = 300$ mA	4.4	----	4.8	V
Reverse current	$I_R$	$V_R = 10$ V	---	10	---	$\mu$ A
Color Temperature	CCT	$I_F = 300$ mA	----	----	---	K
Peak Wavelength	$\lambda_p$	$I_F = 300$ mA	660	---	665	nm
Luminous Intensity	$I_v$	$I_F = 300$ mA	30	---	50	lm
50% power Angle	$2\theta^{1/2}_{H-H}$	$I_F = 300$ mA	---	145	---	deg
	$2\theta^{1/2}_{V-V}$	$I_F = 300$ mA	---	---	---	deg

Add:No.3 Gongye Street, Baihao Industrial District, Houjie Town, Dongguan City, Guangdong Province, China 523957

# Dongguan Hongke Lighting Co.,LTD

Tel:86-769-28682546

Fax:86-769-28682546

Email:sales1@hklighting.com.cn

---

## **Important Notes:**

- 1) All ranks will be included per delivery; rank ratio will be determined by Hongke.
- 2) Tolerance of measurement of luminous intensity is  $\pm 15\%$ .
- 3) Tolerance of measurement of VF is  $\pm 0.05$  V.
- 4) Color Coordinates Measurement allowance is  $\pm 0.015$ .
- 5) For reliability test conditions and data, Please refer to "Reliability Test" section on page 6.
- 6) As we are making continuous efforts to improve the performance of LED, Specifications are subject to change without notice.