

Dongguan Hongke Lighting Co.,LTD

Tel:86-769-28682546

Fax:86-769-28682546

Email:sales1@hklighting.com.cn

LED Product Specifications

Product Type: KEM-HP001GW520-E40

Version No.: 01

Product Description:

- 1 watt High Power LED
- Colloid Color: Transparent
- Emission Color: Green
- Viewing Angle:140°

Dice Material: GaInN



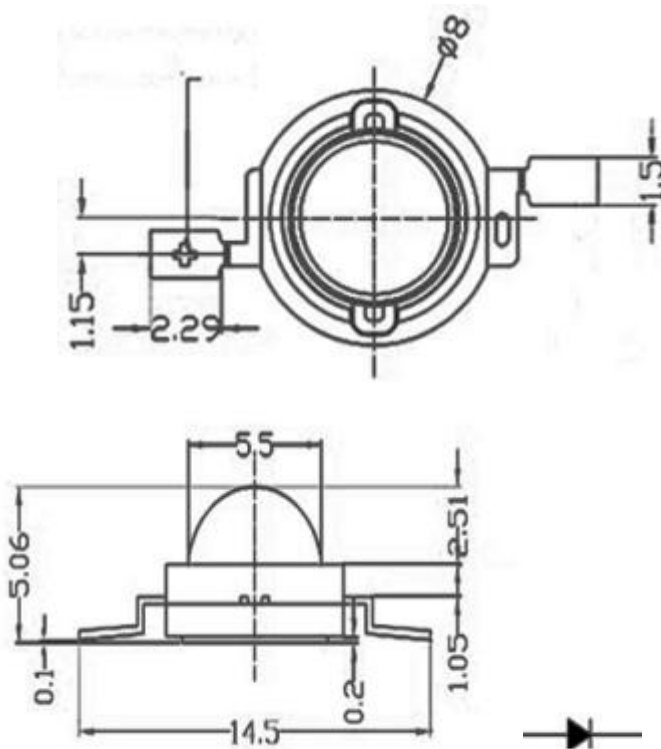
Dongguan Hongke Lighting Co.,LTD

Tel:86-769-28682546

Fax:86-769-28682546

Email:sales1@hklighting.com.cn

Outline Drawing



Notes :

1. All dimensions area in mm tolerance is $\pm 0.25\text{mm}$ unless otherwise noted.
2. An epoxy meniscus may extend about 1.2mm down the leads.
3. Burr around bottom of epoxy may be 0.5mm max.

Dongguan Hongke Lighting Co.,LTD

Tel:86-769-28682546

Fax:86-769-28682546

Email:sales1@hklighting.com.cn

Absolute Maximum Ratings (Ta = 25°C)

Items	Symbol	Maximum	Units
DC Forward Current	I_F	350	mA
Peak forward current	I_{FP}	400	mA
Reverse Voltage	V_R	5	V
Power consumption	P_D	1	W
Operation Temperature	T_{opr}	-20~+75	°C
Storage Temperature	T_{stg}	-30~+80	°C
Lead Soldering Temperature	T_{sol}	Max 260°C for 5 sec Max. (3mm from the base of the body)	

* Pulse width $\leq 0.1\text{msec}$ duty $\leq 1/10$

Product Optical Properties (Ta = 25°C)

Item	Symbol	Conditions	Min	Averag	Max	Units
Forward Voltage	V_F	$I_F=350\text{mA}$	3.0	----	3.1	V
	V_F	$I_F=500\text{mA}$	3.0	----	3.1	V
Reverse current	I_R	$V_R=5\text{V}$	---	-----	10	μA
Peak Wavelength	λ_p	$I_F=400\text{mA}$	520	-----	525	nm
Chromaticity Coordinates	X	$I_F=350\text{mA}$	-----	-----	---	----
	Y	$I_F=350\text{mA}$	-----	-----	----	----
Luminous Flux	I_V	$I_F=350\text{mA}$	30	----	50	lm
50% power Angle	$2\theta^{1/2}\text{H-H}$	$I_F=350\text{mA}$	---	60	---	deg
	$2\theta^{1/2}\text{V-V}$	$I_F=350\text{mA}$	----	---	---	deg

Add:No.3 Gongye Street, Baihao Industrial District, Houjie Town, Dongguan City, Guangdong Province, China 523957

Dongguan Hongke Lighting Co.,LTD

Tel:86-769-28682546

Fax:86-769-28682546

Email:sales1@hklighting.com.cn

Absolute Maximum Ratings

Parameter	Symbol	Rating	Unit
		Green	
DC Forward Current(mA)	If	350	mA
Peak Pulse Current(mA)	If	400	mA
Reverse Voltage	VR	5	V
LED Junction Temperature	Tj	125	°C
Operation Temperature	Topr	-20--65	°C
Storage Temperature	Tstg	-20--70	°C
Soldening Temperature	Tsol	260	°C
ESD Sensitivity	Vb	4000	V

Important Notes:

- 1) All ranks will be included per delivery; rank ratio will be determined by Hongke.
- 2) Tolerance of measurement of luminous intensity is $\pm 15\%$.
- 3) Tolerance of measurement of VF is ± 0.05 V.
- 4) Color Coordinates Measurement allowance is ± 0.015 .
- 5) For reliability test conditions and data, Please refer to "Reliability Test" section on page 7.
- 6) As we are making continuous efforts to improve the performance of LED, Specifications are subject to change without notice.

Dongguan Hongke Lighting Co.,LTD

Tel:86-769-28682546

Fax:86-769-28682546

Email:sales1@hklighting.com.cn

Specification for Approval

Reliability performance

Test classification	Test item	Test Conditions	Test duration	Sample quantity	AC/RE
Life test	Room temperature DC operating life test	Ta=25±5°C IF=500mA	1000hrs	60pcs	0/1
Environment Test	Thermal Shock Test	-10°C ← → +100±5°C 5min 10sec 5min	50cycles	60pcs	0/1
	Temperature Cycle Test	-40°C ← → +85±5°C 30min 10sec 30min	50cycles	60pcs	0/1
	High Temperature & High Humidity Test	Ta=85±5°C RH=85%±0.5%RH	1000hrs	60pcs	0/1
	High Temperature Storage	Ta=100±5°C	1000hrs	60pcs	0/1
	Low Temperature Storage	Ta=-55±5°C	1000hrs	60pcs	0/1
Mechanical Test	Resistance to Soldering Heat	Ta=230±5°C	5sec	60pcs	0/1
	Lead Integrity	Load 2.5N(0.25KGf) 0°C ∞ 90°C ∞ 0°C	3times	60pcs	0/1