

# Dongguan Hongke Lighting Co.,LTD

Tel:86-769-85933616

Fax:86-769-85994676

Email:sales1@hklighting.com.cn

---

## LED Product Specifications

Product Name: 3 watts 460nm Blue LED;

Version No.: 01

### Product Description:

- 3 Watts high power LED
- Colloid Color: Water clear
- Emission Color: Blue
- Viewing Angle:140°

Dice Material: InGaAlN



Add.No.3 Gongye Street, Baihao Industrial District, Houjie Town, Dongguan City, Guangdong Province, China 523957

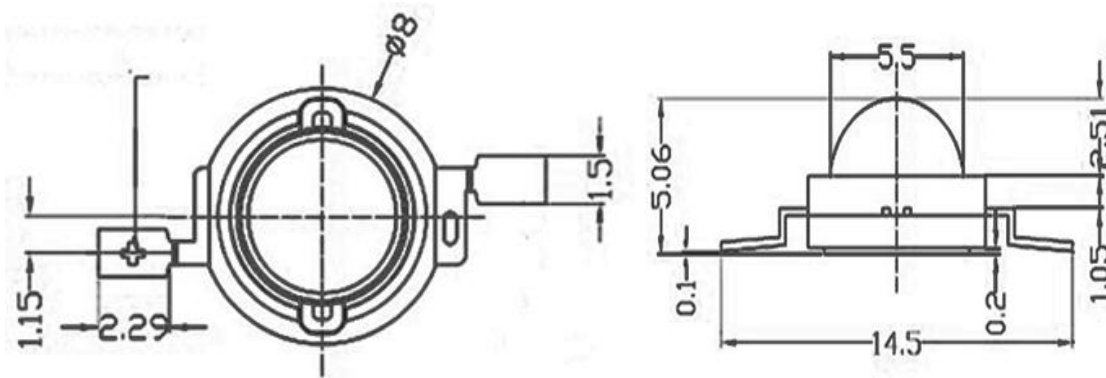
# Dongguan Hongke Lighting Co.,LTD

Tel:86-769-28682546

Fax:86-769-28682546

Email:sales1@hklighting.com.cn

## Outline Drawing



### Notes:

1. All dimensions area in mm tolerance is  $\pm 0.25\text{mm}$  unless otherwise noted.
2. An epoxy meniscus may extend about 1.2mm down the leads.
3. Burr around bottom of epoxy may be 0.5mm max.

Add:No.3 Gongye Street, Baihao Industrial District, Houjie Town, Dongguan City, Guangdong Province, China 523957 2

# Dongguan Hongke Lighting Co.,LTD

Tel:86-769-28682546

Fax:86-769-28682546

Email:sales1@hklighting.com.cn

## Absolute Maximum Ratings (Ta = 25°C)

| Items                      | Symbol                                    | Maximum                  | Units |
|----------------------------|---|--------------------------|-------|
| DC Forward Current         | $I_F$                                     | 500                      | mA    |
| Peak pulse current         | $I_{Pulse}$                               | 600                      | mA    |
| Reverse Voltage            | $V_R$                                     | 10                       | V     |
| Power consumption          | $P_D$                                     | 3                        | W     |
| Operation Temperature      | $T_{opr}$                                 | -20~+75                  | °C    |
| Storage Temperature        | $T_{stg}$                                 | -30~+80                  | °C    |
| Lead Soldering Temperature | $T_{sol}$ (3mm from the base of the body) | Max 260°C for 5 sec Max. |       |

\* Pulse width  $\leq 0.1$ msec duty  $\leq 1/10$

## Product Optical Properties (Ta = 25°C)

| Item               | Symbol                | Conditions     | Min  | Average | Max | Units   |
|--------------------|-----------------------|----------------|------|---------|-----|---------|
| Forward Voltage    | $V_F$                 | $I_F = 500$ mA | 3.0  | ----    | 3.4 | V       |
| Reverse current    | $I_R$                 | $V_R = 10$ V   | ---  | 10      | --- | $\mu$ A |
| Color Temperature  | CCT                   | $I_F = 500$ mA | ---- | ----    | --- | K       |
| Peak Wavelength    | $\lambda_p$           | $I_F = 500$ mA | 455  | ---     | 460 | nm      |
| Luminous Intensity | $I_v$                 | $I_F = 500$ mA | 30   | ---     | 40  | lm      |
| 50% power Angle    | $2\theta^{1/2}_{H-H}$ | $I_F = 500$ mA | ---  | 145     | --- | deg     |
|                    | $2\theta^{1/2}_{V-V}$ | $I_F = 500$ mA | ---  | ---     | --- | deg     |

Add:No.3 Gongye Street, Baihao Industrial District, Houjie Town, Dongguan City, Guangdong Province, China 523957

# Dongguan Hongke Lighting Co.,LTD

Tel:86-769-28682546

Fax:86-769-28682546

Email:sales1@hklighting.com.cn

---

## **Important Notes:**

- 1) All ranks will be included per delivery; rank ratio will be determined by Hongke.
- 2) Tolerance of measurement of luminous intensity is  $\pm 15\%$ .
- 3) Tolerance of measurement of VF is  $\pm 0.05$  V.
- 4) Color Coordinates Measurement allowance is  $\pm 0.015$ .
- 5) For reliability test conditions and data, Please refer to "Reliability Test" section on page 6.
- 6) As we are making continuous efforts to improve the performance of LED, Specifications are subject to change without notice.

Add:No.3 Gongye Street, Baihao Industrial District, Houjie Town, Dongguan City, Guangdong Province, China 523957