

RGBW LED Remote Controller Series

LW-COMPACT-RGBW-1



Wall-mounted

Our RGBW LED controller series is compatible with 8 kinds remotes with different functions (patent technology). This means using one receiver could experience single color/CT dimming, RGB/RGBW adjustment to meet customers' different lighting requirements. There is also speed/brightness adjustment and you can customise colour and there is a selection of modes to choose from.

1. Parameter:

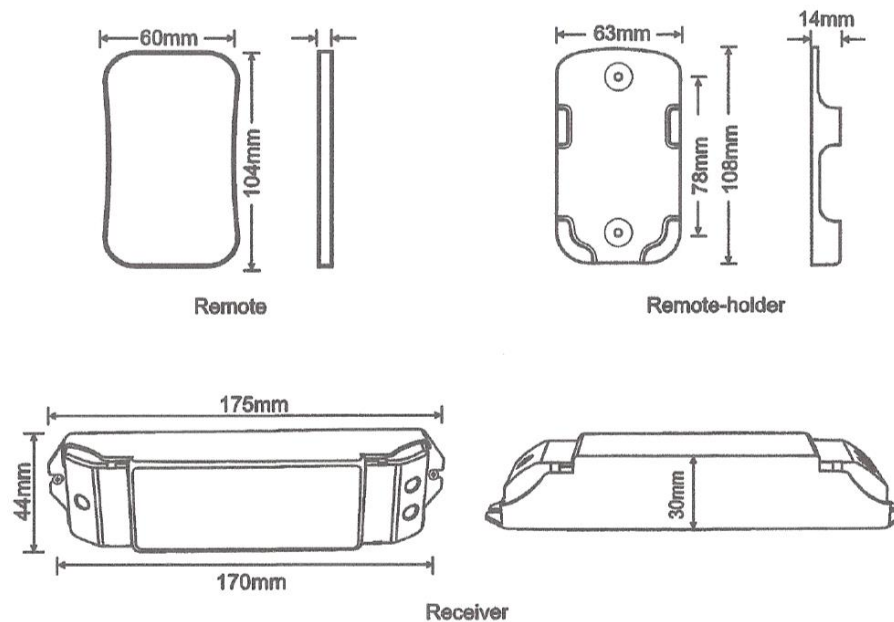
Remote (RGBW):

- Model (Inc. 1 x receiver)
LW-COMPACT-RGBW-1
LW-COMPACT-RGBW-2
- Working Voltage: 3V DC(battery CR2032)
- Working Frequency: 433.92MHz
- Remote Distance: 40-50m
- Working Temp.: -30°C-55°C

CV Receiver (RGBW):

- Model: (Extra receiver)
LW-COMPACT-RECEIVER-B
- Input Voltage: 5-24V DC
- Max Current Load: 5Ax4CH Max 20A
- Max Output Power: 100W/240W/480W(5V/12V/24V)
- Working Temp.: -30°C-55°C
- Weight(N.W.): 125g

2. Product Size:



3. The Learning ID Method of Remote Control:

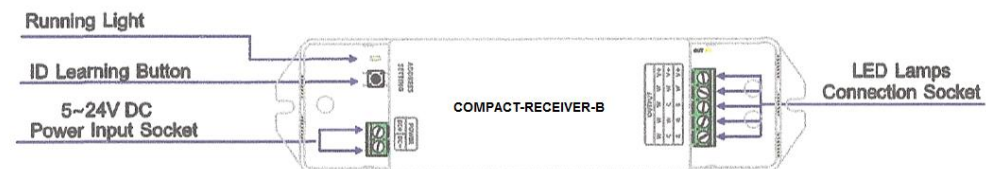
Remote control has been matched to the receiver before leave factory, if deleted accidentally; you can learn ID as follow.

Learning ID: Short press ID learning button on the LW-COMPACT-RECEIVER-B receiver, the running light is on, then press any key on the LW-COMPACT-RGBW-1 /LW- COMPACT-RGBW-2 remote control, the running light flashes several times, activated.

Cancel ID: Long press ID learning button on the LW-COMPACT-RECEIVER-B receiver for 5 seconds.

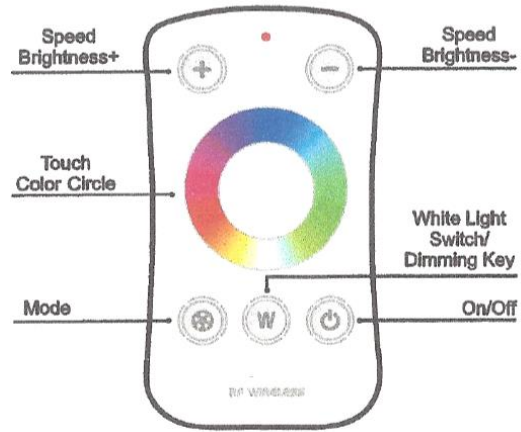
Attn: one receiver can be matched with max 10 same or different kinds remote.

4. Operating Instruction for Receiver :



5. Operating Instruction for Remote Control:

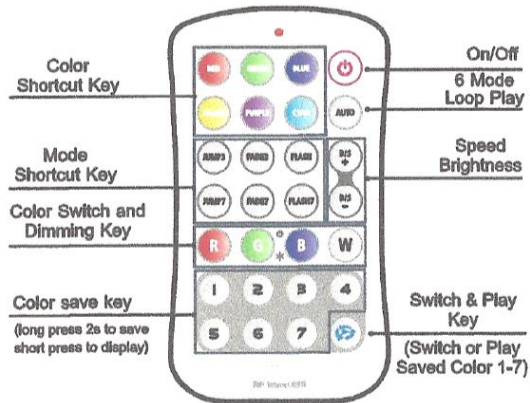
Sleep Mode: the LW-COMPACT-RGBW-2 remote goes on a standby mode to save power when not in use for 30s. Press any key to continue.



LW-COMPACT-RGBW-2 Changing Mode Table

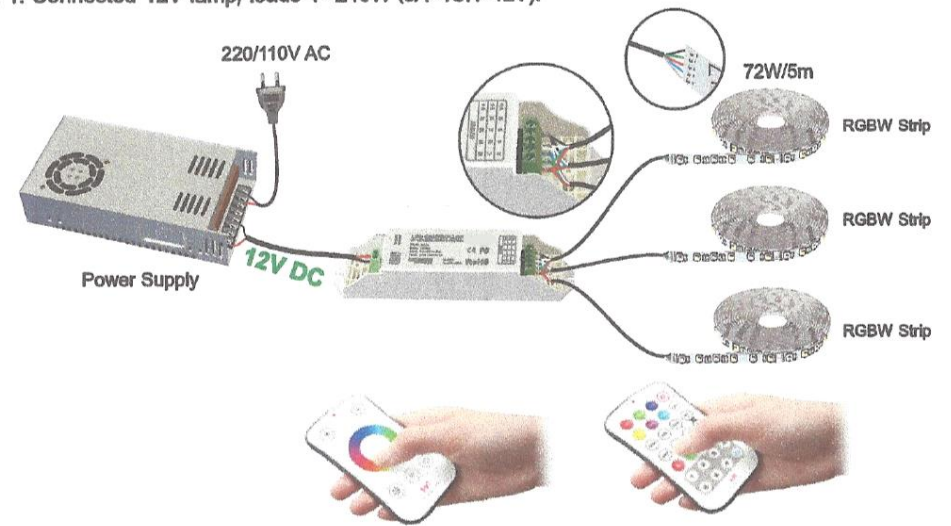
No.	Mode	Instrucción	No.	Mode	Instrucción
1	Static Red	Brightness Adjustable	7	Static White	Brightness Adjustable
2	Static Green	Brightness Adjustable	8	RGB Skipping	Speed/Brightness Adjustable
3	Static Blue	Brightness Adjustable	9	7 Colors Skipping	Speed/Brightness Adjustable
4	Static Yellow	Brightness Adjustable	10	RGB Color Smooth	Speed/Brightness Adjustable
5	Static Purple	Brightness Adjustable	11	Full-color Smooth	Speed/Brightness Adjustable
6	Static Cyan	Brightness Adjustable	12	Static Black	White light can be turn/off and adjusted

LW-COMPACT-RGBW-1



6. Wiring Diagram:

E.g. 1: Connected 12V lamp, loads 1~240W (5A×4CH×12V).



E.g. 2: Connected 24V lamp, loads 1~480W (5A×4CH×24V).

