

# Product Specification

5050 LED strip light

(LR series)

LD-FLW-R5050-24-120D

Made by	Checked by	Date	Version
Biao Zhang	Rongwei Li	2014.08.16	A0



**LEDWIDE LIGHTING CO.,LTD**

Phone: +86 (755) 29362351

Fax: 86 755 29014058

Address : 1-2/F, Building A2, Sinopol Ind.Park, First Industrial Zone,  
BaiHua communities, Guangming office,  
Guangming New District, Shenzhen, P.R. China



LEDWIDE

[www.ledwide.com](http://www.ledwide.com)

深圳市里外光电科技有限公司

LEDWIDE LIGHTING CO.,LTD

## 5050 LR series (120leds/m) feature and photo

### Feature:

DC24V low-voltage power supply, security and energy efficiency

High brightness low power consumption

Led type: 5050 SMD led

Led lighting angle: 120°

Led quantity: 120leds/m

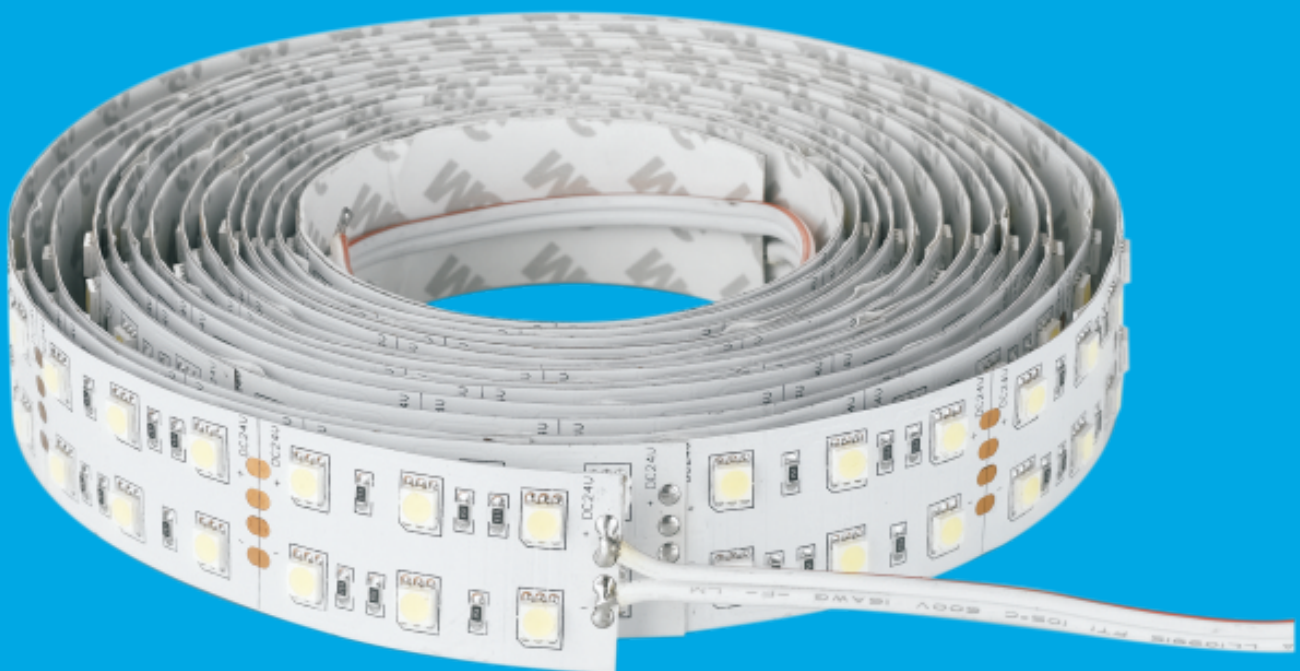
Operation temperature: -20-50°C

Life time: 50,000hours

Dimmable by using dimmer controller

Water-proof rating: IP20

### Photo:



RoHS CE



LEDWIDE

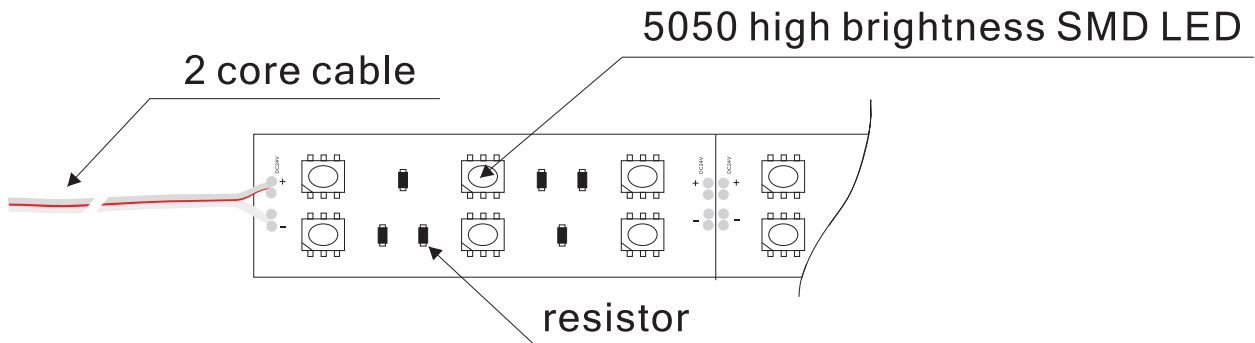
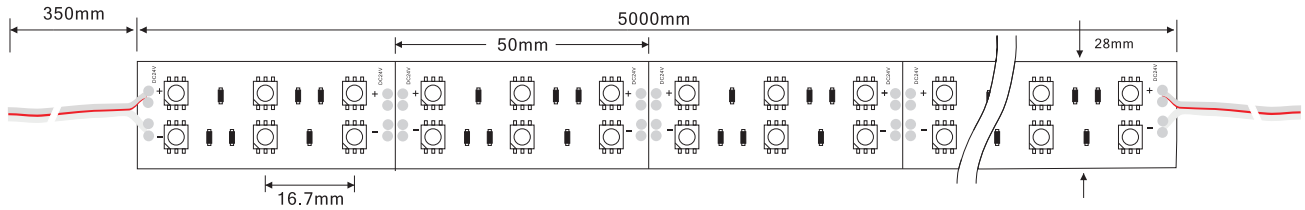
www.ledwide.com

深圳市里外光电科技有限公司

LEDWIDE LIGHTING CO.,LTD

5050 LR series (120leds/m) dimension chart

Front:



Lateral:



5050 LR series (120leds/m) photoelectric parameters

LR series led strip: 5050 SMD 120leds/m DC24V power:26.4W±10%/M IP rating:IP20

Part-Number	Color	PCB width	Lumen (CRI>80)	Lumen (CRI>90)
LWF-1112/2400R/G/B/Y120 Dual	R/G/B/Y	28mm	-----	-----
LWF-1112/2400W120 Dual	white	28mm	2016lm/m	1505lm/m
LWF-1112/2400WW120 Dual	warm white	28mm	1575lm/m	1200lm/m

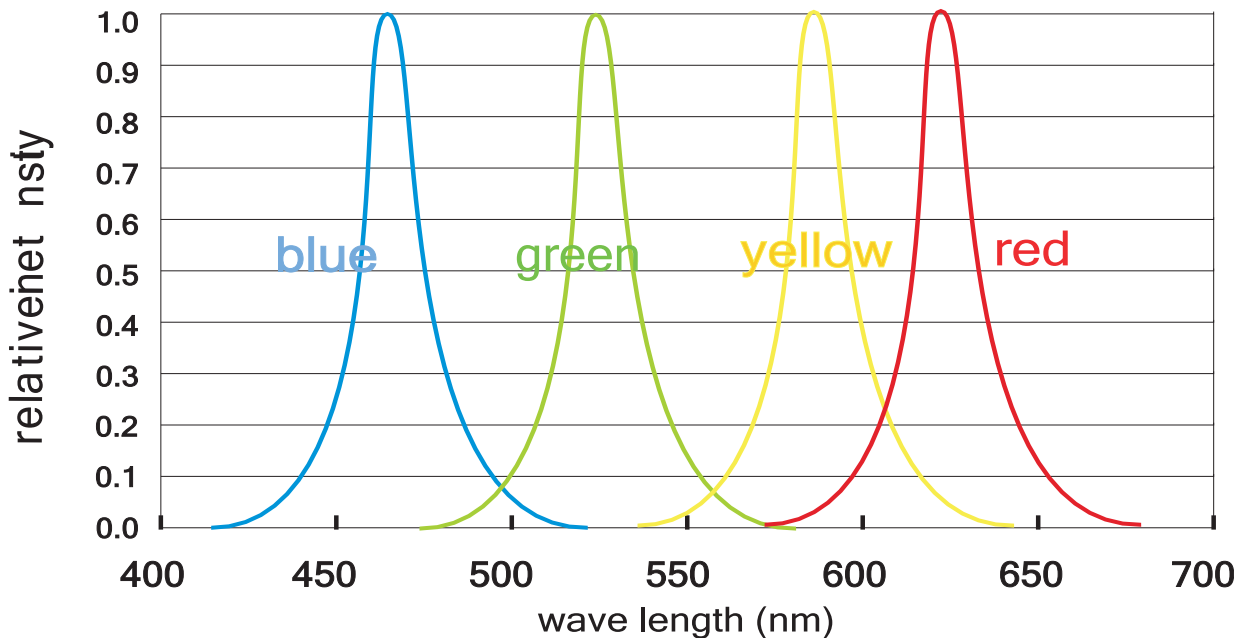
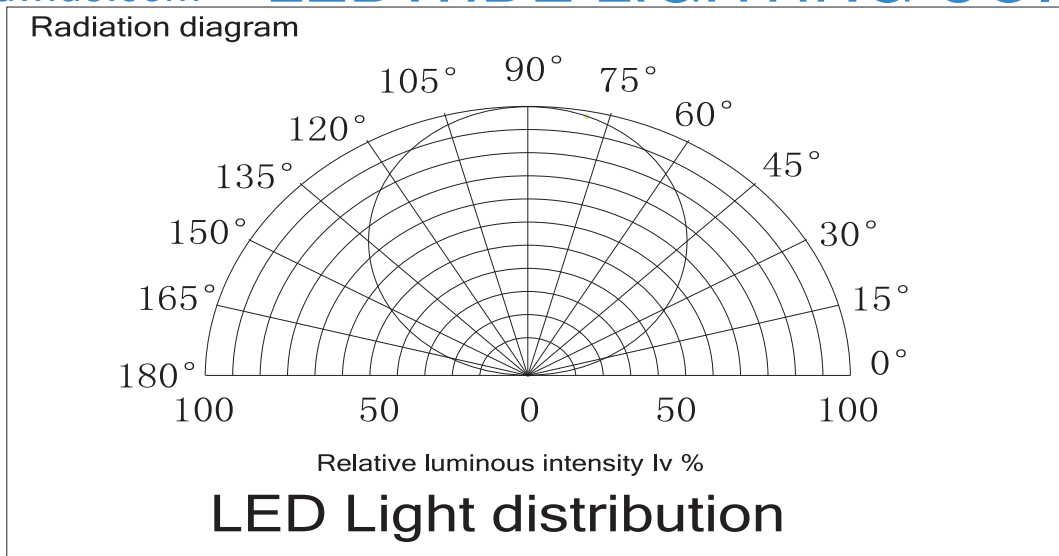


LEDWIDE

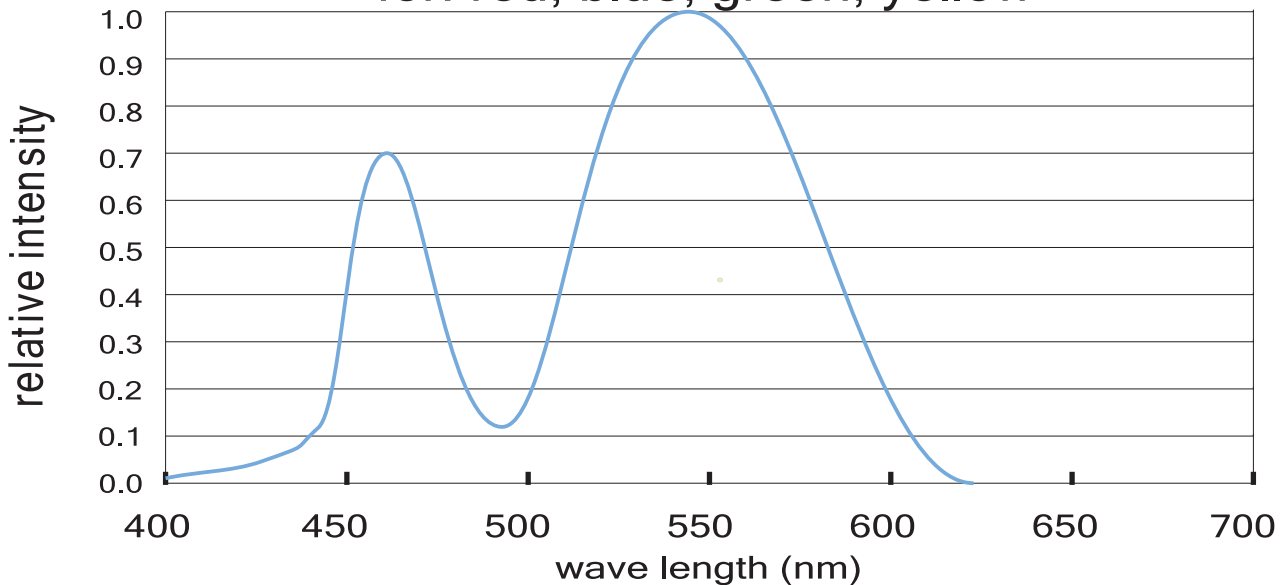
www.ledwide.com

深圳市里外光电科技有限公司

LEDWIDE LIGHTING CO.,LTD



for: red, blue, green, yellow



for: white LED



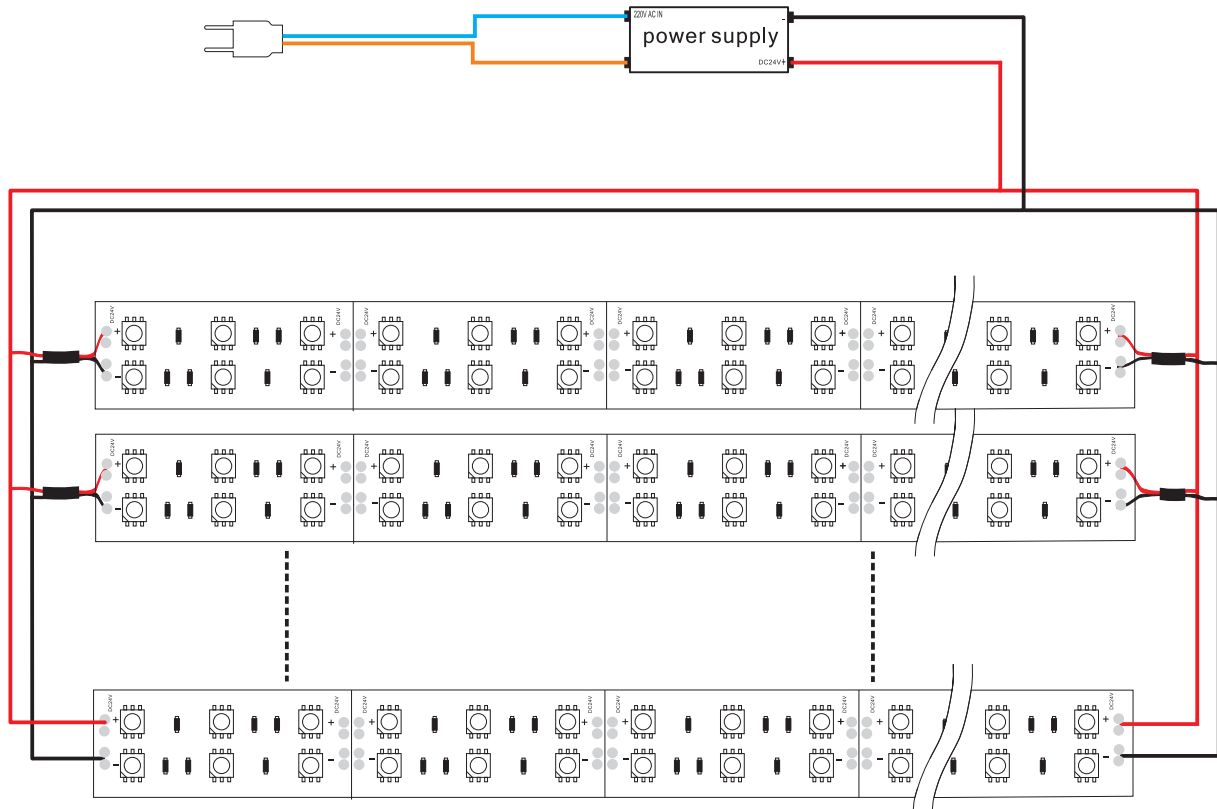
LEDWIDE

www.ledwide.com

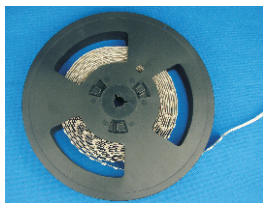
深圳市里外光电科技有限公司

LEDWIDE LIGHTING CO.,LTD

### 5050 LR series (120leds/m) connection ways



### 5050 LR series (120leds/m) packing



5meter/roll



1roll/bag



Carton405X350X380mm

15bags/carton

Operation temperature:-20~50°C

Storage temperature:-30~80°C

Packing: 5meters led strip as one roll, one roll put into one bag, 15bags packed into one carton