

LW-P74

ACCESSORIES :



Aluminum Profile
Code: P74



Aluminum Endcap
(without hole)
Code: P74-Cap



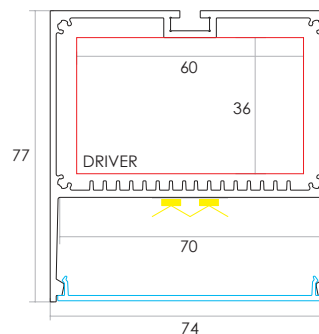
Aluminum diffuser
Code: WN35-AD



Wall Clips
Code: WClip



Suspension Kits
Code: Sus.KitsA



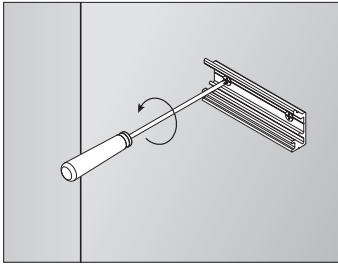
Optional Diffuser(PMMA)					
Dimensions(mm)	Max strip width	Opal	Milky	Frosted	Clear
74*77	70mm	√	/	/	/
Code		D-P74-O	/	/	/
Light Transmittance		55%	/	/	/

<57.6W/m
Aluminum Profile Weight:1.7kg/m
Stocked length availability:2m,2.5m.
Customized length below 6m upon your request.

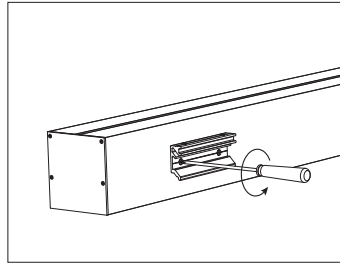


Installing Instructions

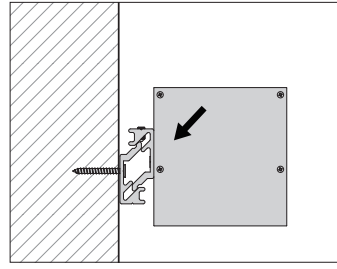
Wall Mounted



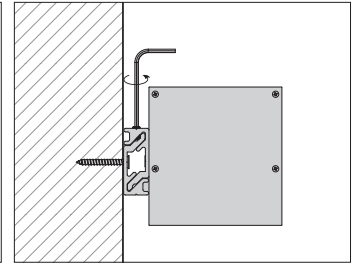
1. Attach the wall side clip to surface



2. Attach the other side of clip to light fixture



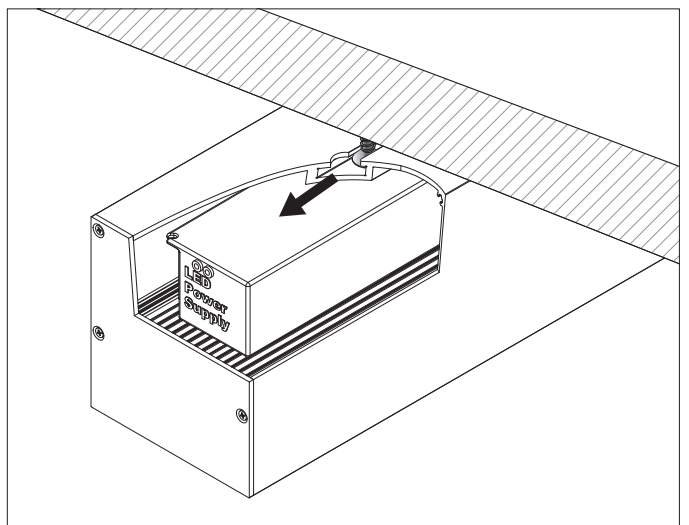
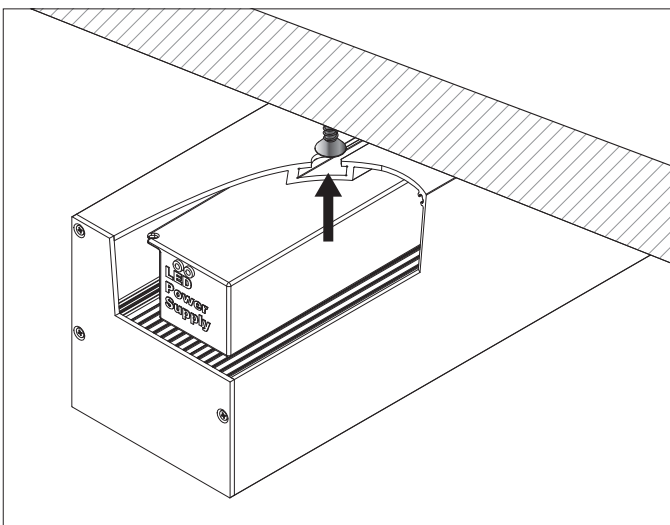
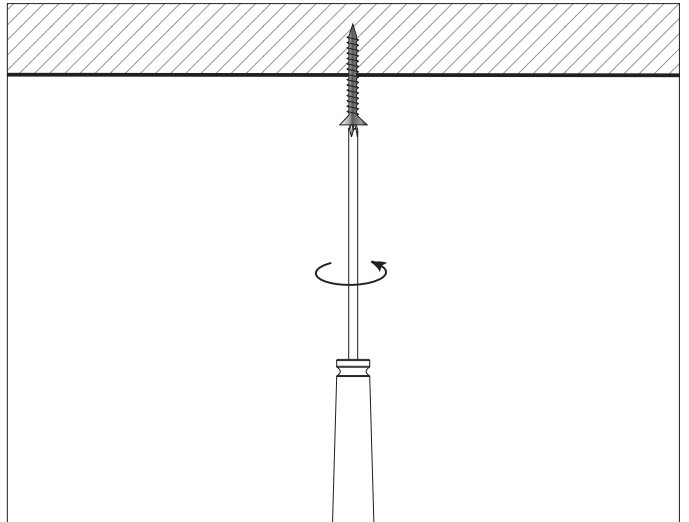
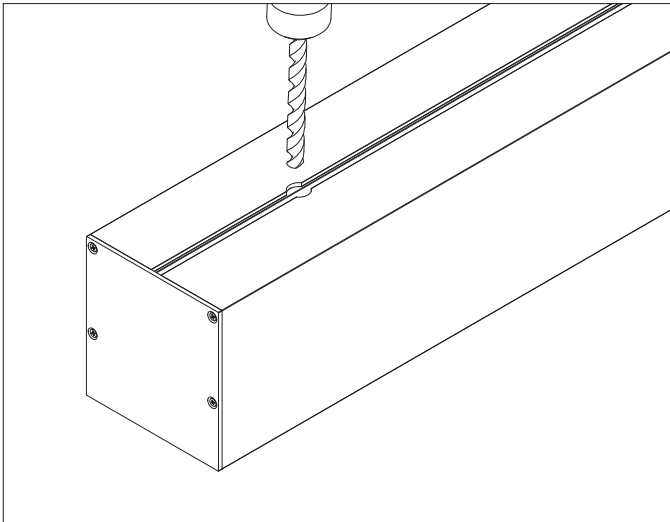
3. Mount the light fixture onto the wall attachment



4. Secure the clips to ensure it stays in place



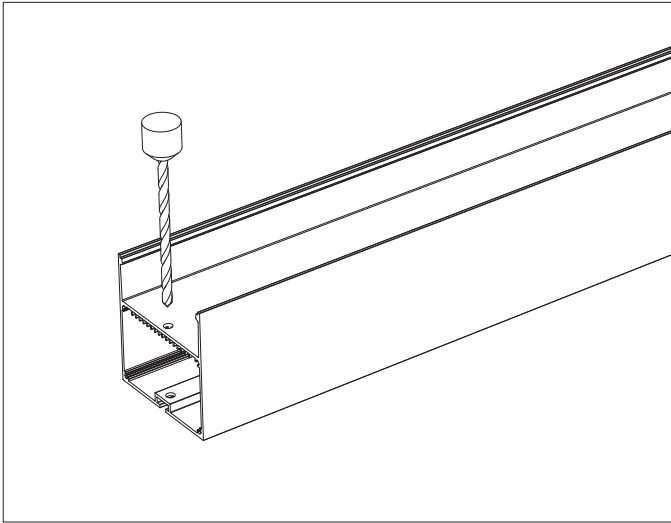
Ceiling



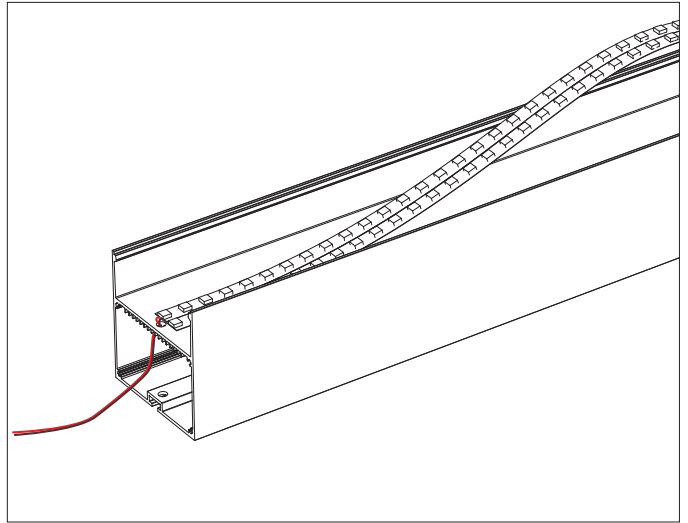


Installing Instructions

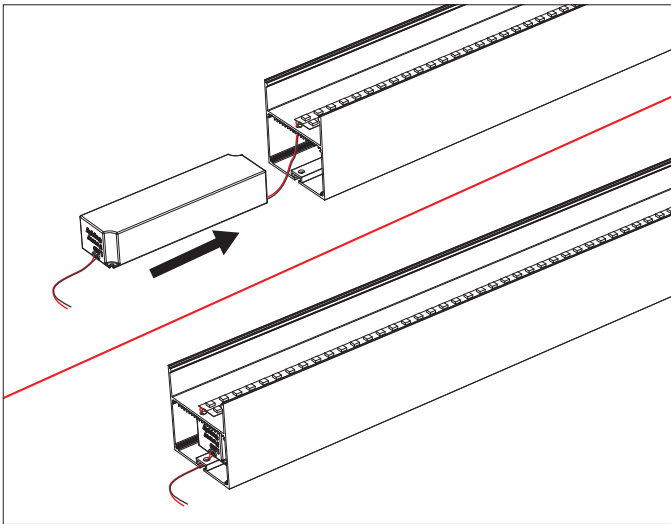
Suspended



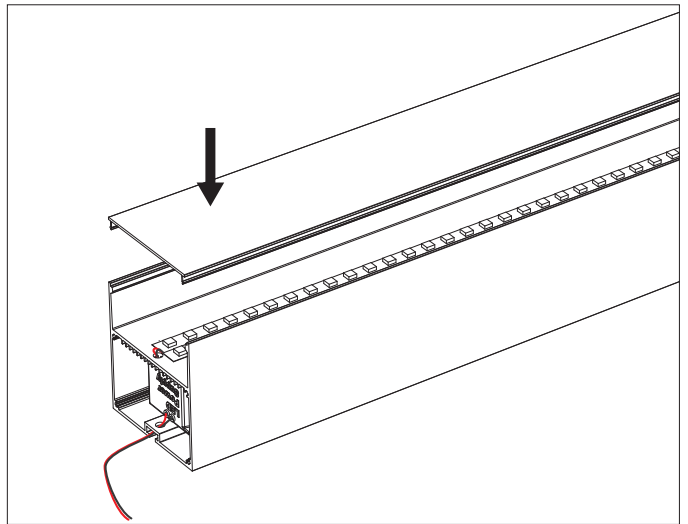
1. Drill a hole on the aluminium



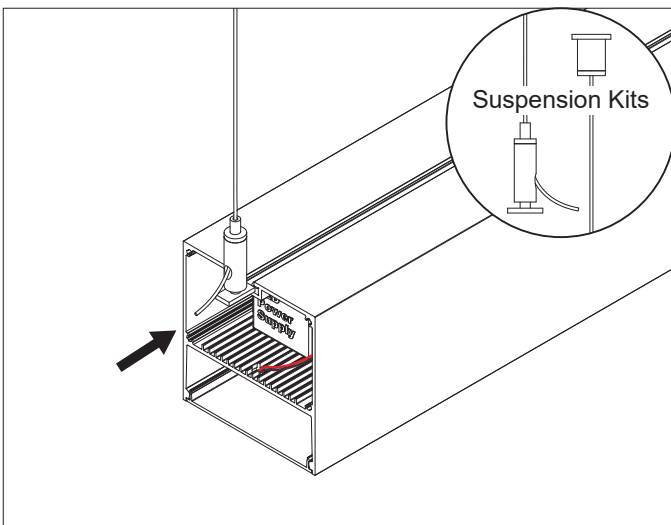
2. Stick the led strip



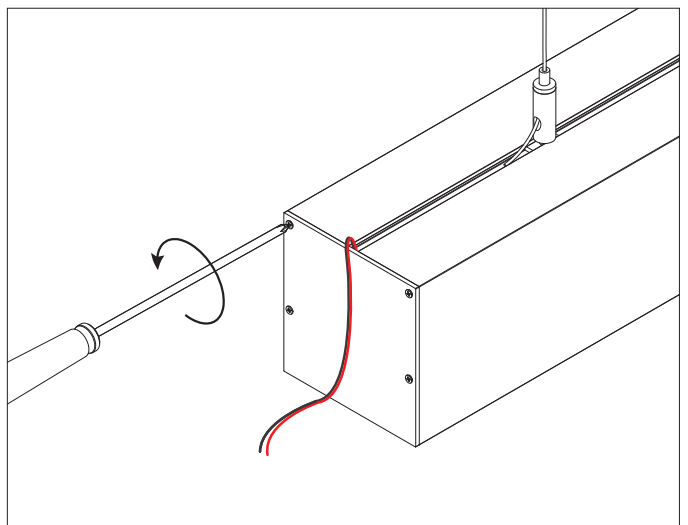
3. Put the led driver into place



4. Click/snap on the diffuser from end to end



5. Install the Suspension Kits



6. Screws the end caps