

LW-ER80

ACCESSORIES :



Aluminum Profile
Code: E80



Recessed wing
Code: ER



Aluminum Endcap
(with/without hole)
Code: ER80-Cap
Code: ER80-Cap-H



Aluminum diffuser
Code: E80-AD



Spring Clip
Code: SC-ER



Joiners 90°A
Code: J-90A



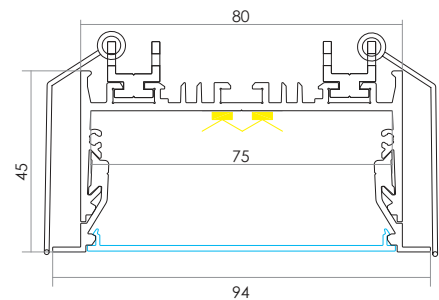
Joiners 90°B
Code: J-90B



Joiners 180°A
Code: J-180A



Joiners 120°
Code: J-120



Optional Diffuser(PMMA)

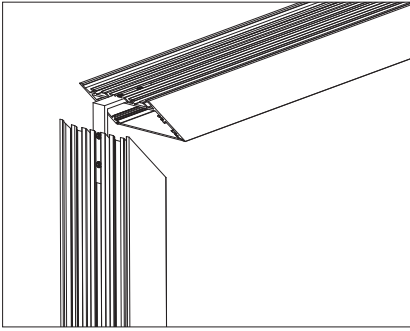
D080 type					
Dimensions(mm)	Max strip width	Opal	Milky	Frosted	Clear
80*45	75mm	✓	✓	/	/
Code		D080-O	D080-M	/	/
Light Transmittance		63%	88%	/	/

<57.6W/m

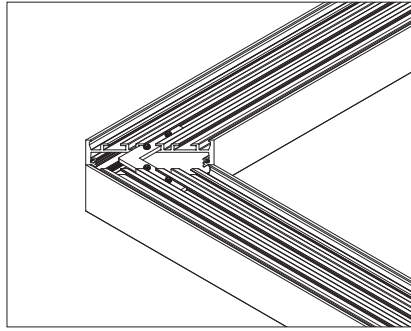
Aluminum Profile Weight:1.6kg/m

Stocked length availability:2m,2.5m.
Customized length below 6m upon your request.

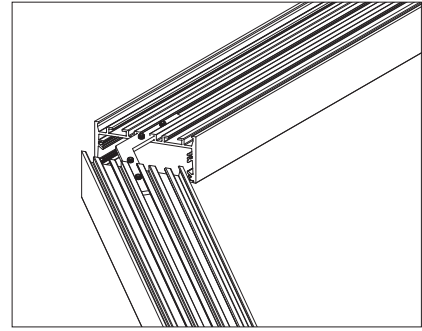
Applicable joiners



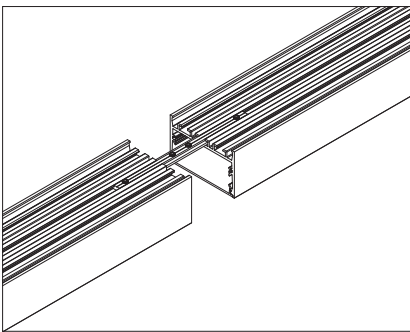
90°B



90°A



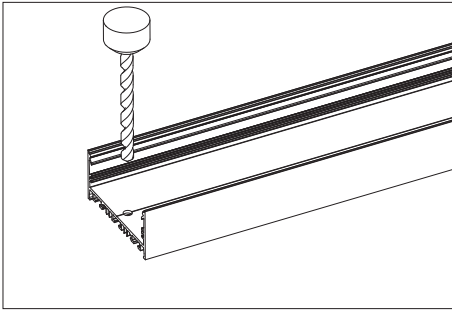
120°



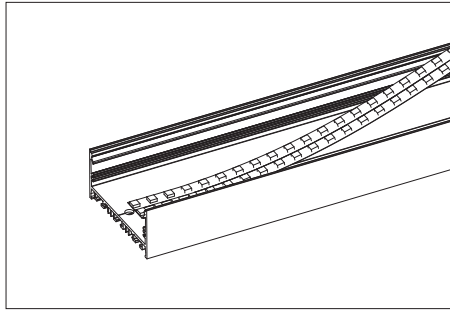
180°A

Other installation & Connection ways.

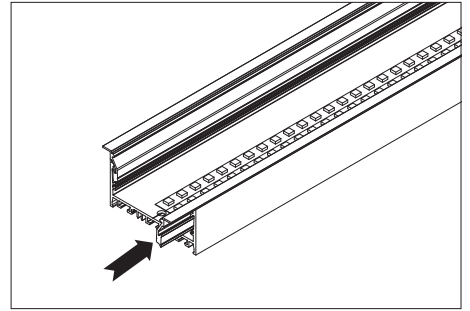




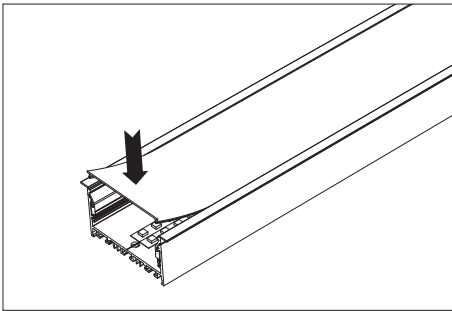
1. Drill a hole on the aluminium



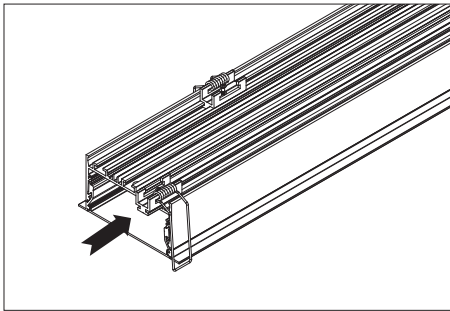
2. Fit the led strip on the aluminium



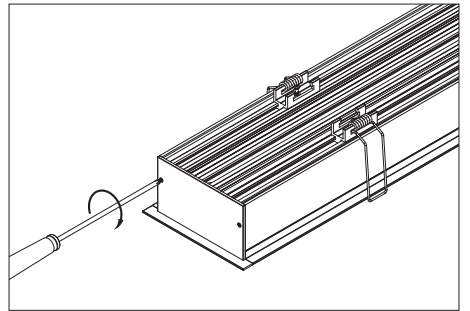
3. Install aluminium profile part B and fit well.



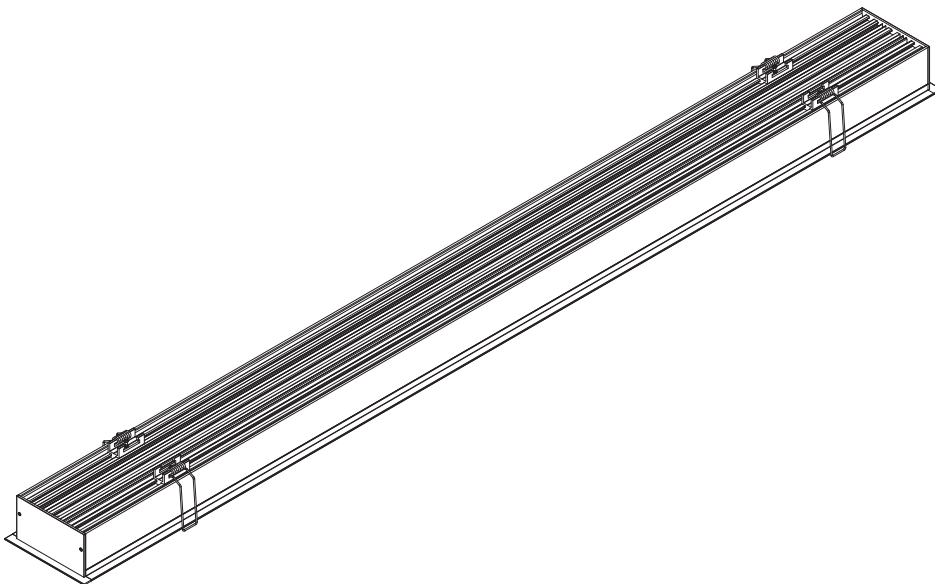
4. Click/snap on the diffuser from end to end



5. Install the Spring Clips



6. screws the end caps



7. Installation completed.



Installing Instructions

Recessed

