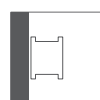
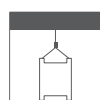


Trimless



Wall Mounted



Suspended



LW-EH80 ^{HOT}

Up/Down

ACCESSORIES :



Aluminum Profile
Code: E80



Aluminum Profile
Code: E80-H



Alum. Reflector
Code: RF



Aluminum Endcap
(without hole)
Code: EH80-Cap



Aluminum Screwless Endcap
(without hole)
Code: EH80-Cap-M



Suspension Kits
Code: Sus.KitsB



Wall Clips
Code: WClip



Aluminum diffuser
Code: E80-AD



Joiners 90°A
Code: J-90A



Joiners 90°B
Code: J-90B



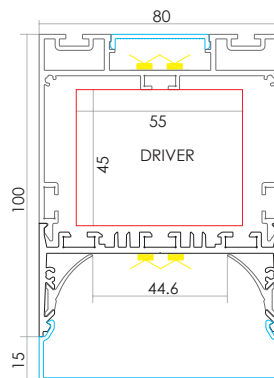
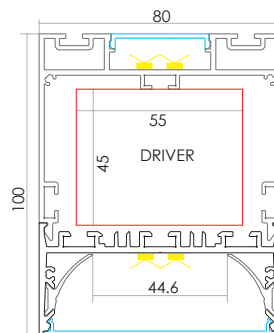
Joiners 180°A
Code: J-180A



Joiners 180°B
Code: J-180B



Joiners 120°
Code: J-120



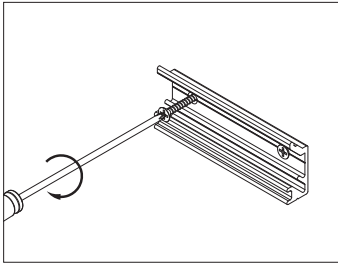
Optional Diffuser(PMMA/PC)					
D005 type					
Dimensions(mm)	Max strip width	Opal	Milky	Frosted	Clear
80*100	31mm	✓	✓	✓	✓
Code		D005-O	D005-M	D005-F	D005-C
Light Transmittance		63%	78%	89%	95%
D080 type					
Dimensions(mm)	Max strip width	Opal	Milky	Frosted	Clear
80*100	44.6mm	✓	✓	/	/
Code		D080-O	D080-M	/	/
Light Transmittance		63%	88%	/	/
D080U type					
Dimensions(mm)	Max strip width	Opal	Milky	Frosted	Clear
80*115	44.6mm	✓	/	/	/
Code		D080U-O	/	/	/
Light Transmittance		57%	/	/	/

<57.6W/m
Aluminum Profile Weight:3.1kg/m
Stocked length availability:2m,2.5m.
Customized length below 6m upon your request.

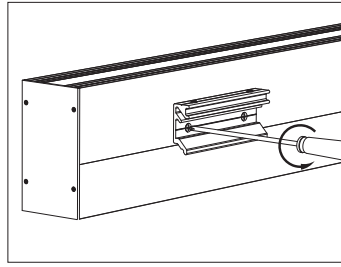


Installing Instructions

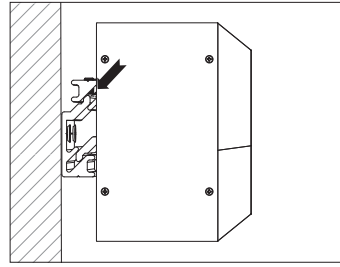
Wall Mounted



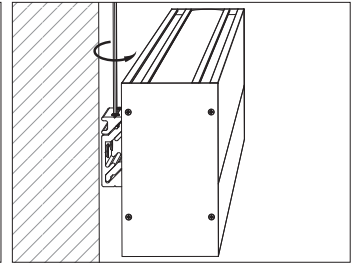
1. Attach the wall side clip to surface



2. Attach the other side of clip to light fixture

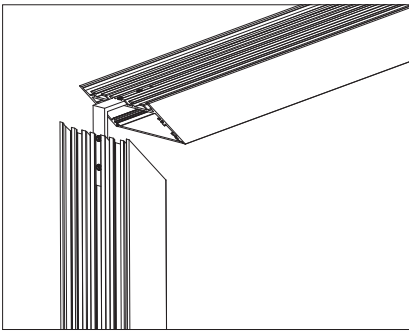


3. Mount the light fixture onto the wall attachment

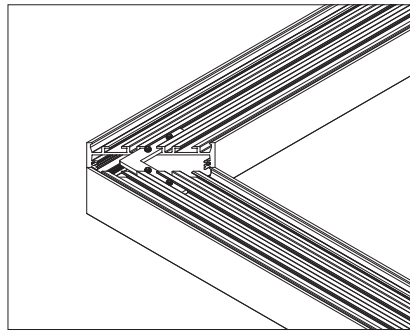


4. Secure the clips to ensure it stays in place

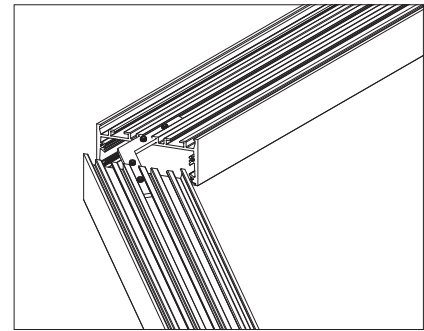
Applicable joiners



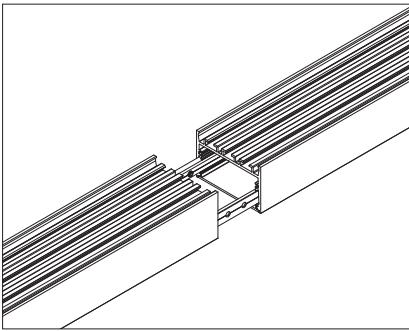
90°B



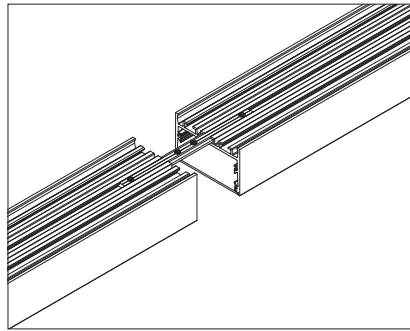
90°A



120°

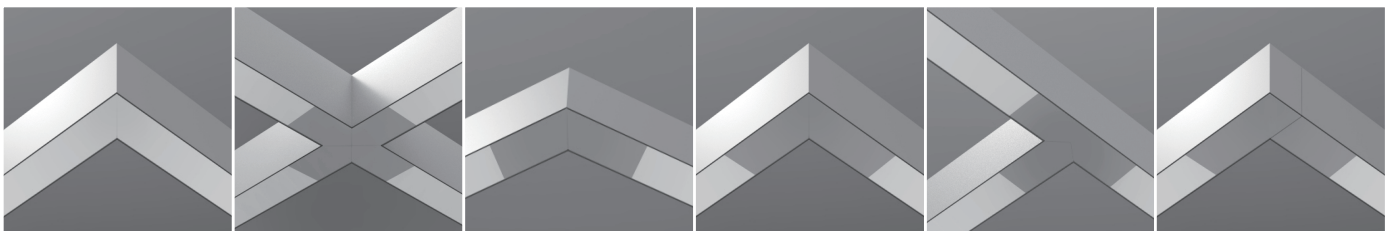


180°B



180°A

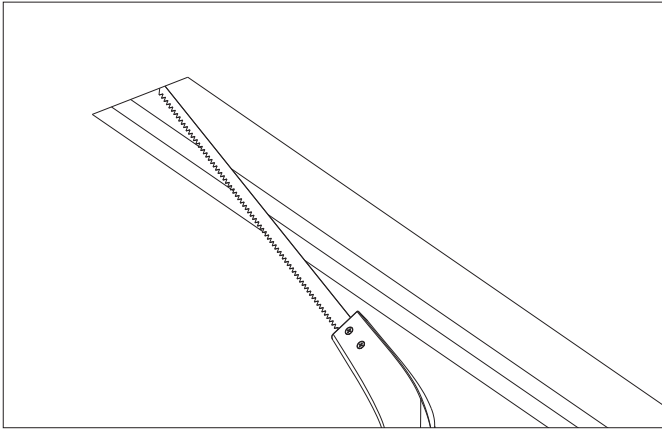
Installation & Connection Options



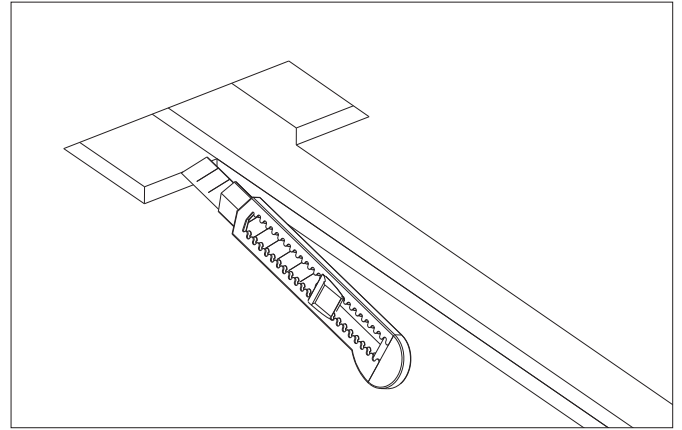


Installing Instructions

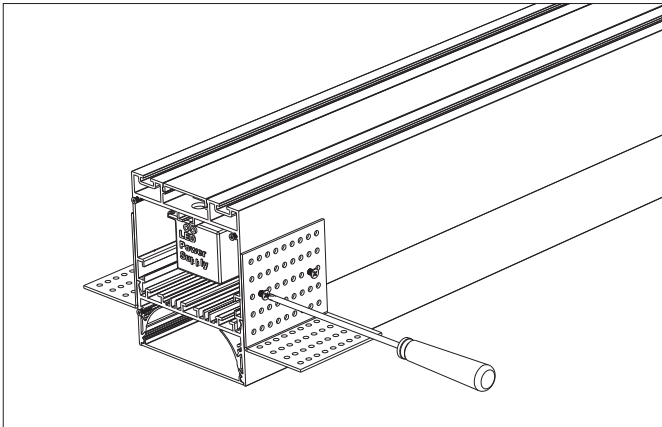
Trimless



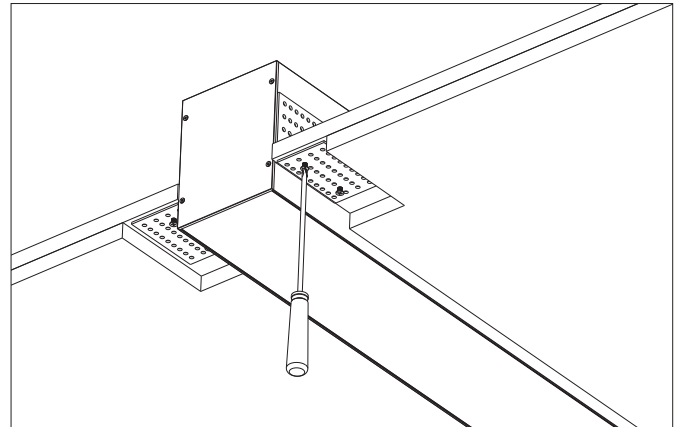
1. Prepare cut-out hole in ceiling



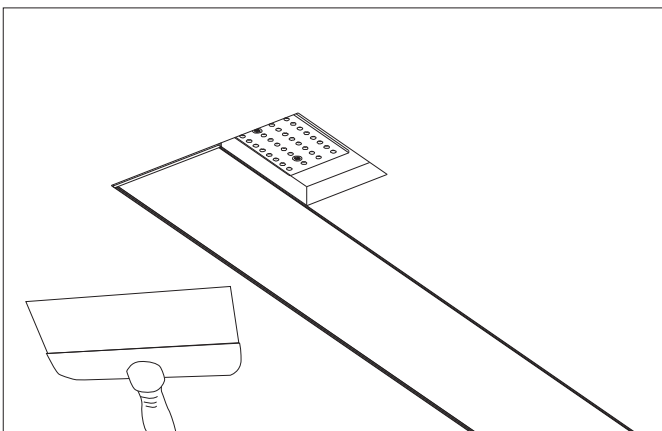
2. Recess a small part of the ceiling plaster board to fit the L bracket



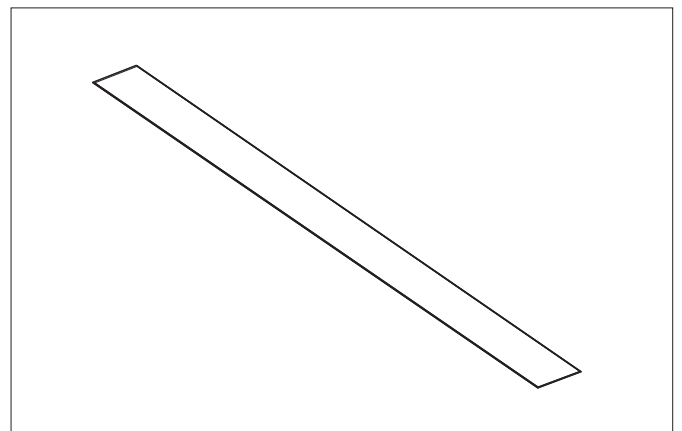
3. Screw on the perforated L brackets to the profile



4. Place the profile into the cut-out hole with the L brackets fitting into the small recess made area. Secure L brackets accordingly.



5. Re-plaster the recess area so it becomes level with the plaster board surface

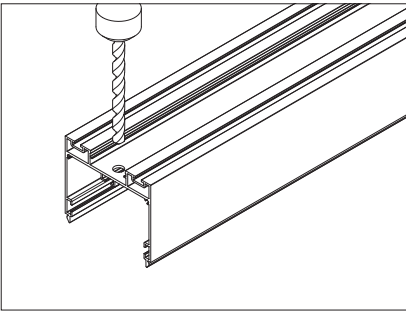


6. Once install is completed, profile should appear trimless on ceiling surface

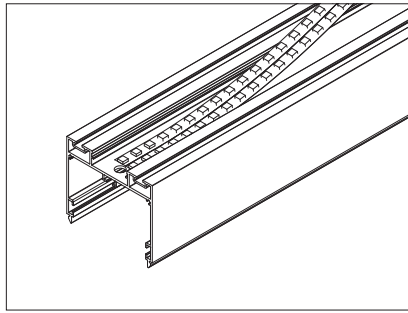


Installing Instructions

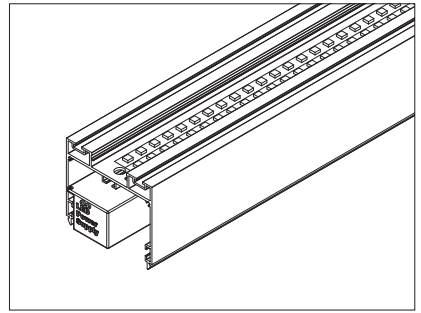
Suspended



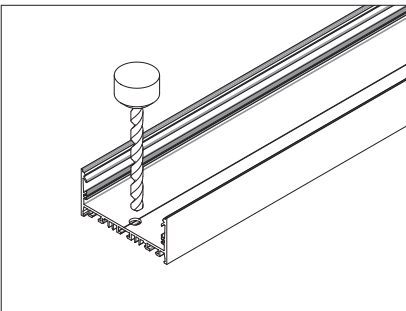
1. Drill a hole on the top profile section of aluminium base



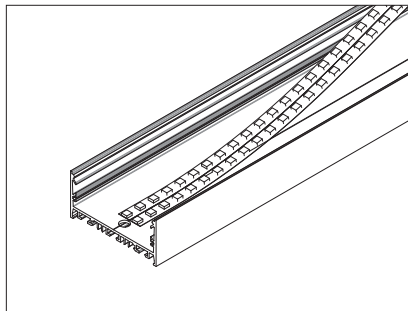
2. Apply the LED strips on to base



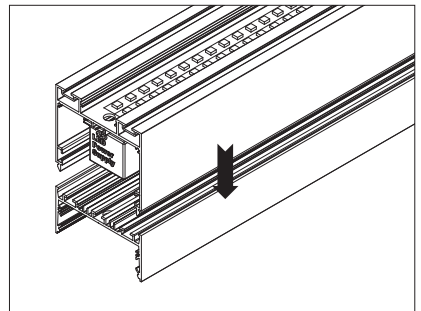
3. Secure LED driver on underside of top section



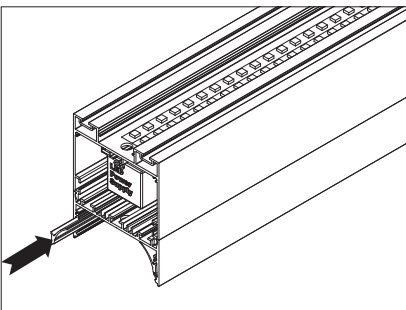
4. Drill a second hole on the bottom profile section of aluminium base



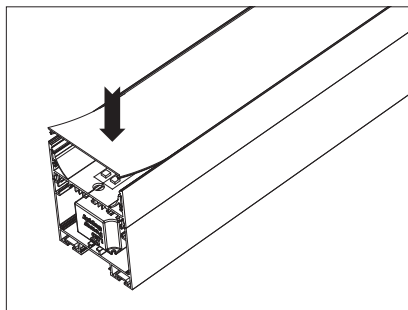
5. Apply the LED strips on to base



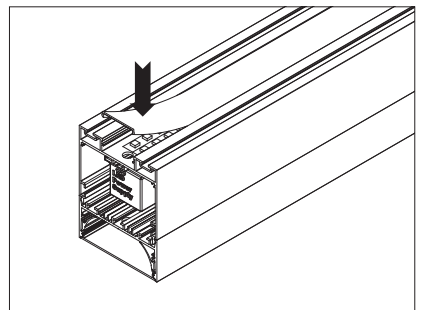
6. Secure top piece to bottom piece, and click into place



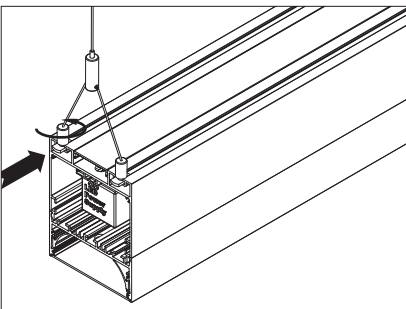
7. Slide reflectors into place



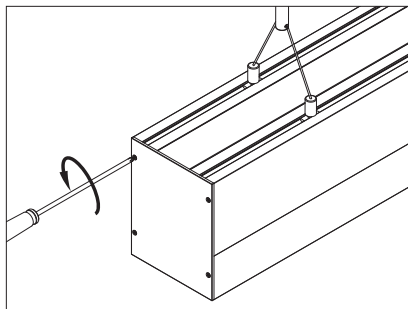
8. Attach bottom section diffusers into place, working from end to end



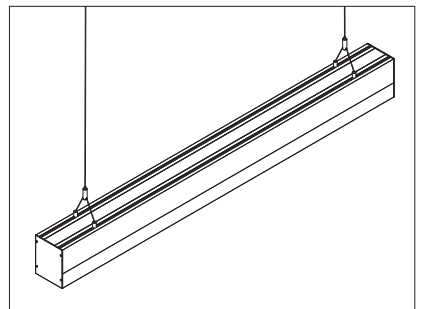
9. Attach top section diffusers into place, working from end to end



10. Slide the suspension base into the profile groove



11. Screw the end caps on



12. Fix the ceiling bracket to ceiling and adjust the length on cable gripper to suit

