

# LW-E80 <sup>HOT</sup> LW-EU80

## ACCESSORIES :



Aluminum Profile  
Code: E80



Alum. Reflector  
Code: RF



Aluminum Endcap  
(without hole)  
Code: E80-Cap



Aluminum Screwless  
Endcap  
(without hole)  
Code: E80-Cap-N



Aluminum diffuser  
Code: E80-AD



Wall Clips  
Code: WClip



Suspension Kits  
Code: Sus.KitsA



Metal Clip  
Code: MC-E50



Joiners 90°A  
Code: J-90A



Joiners 90°B  
Code: J-90B



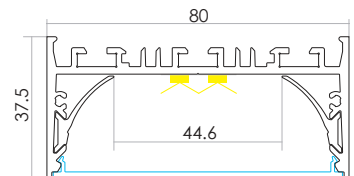
Joiners 180°A  
Code: J-180A



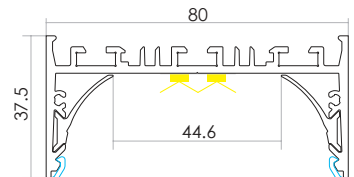
Joiners 180°B  
Code: J-180B



Joiners 120°  
Code: J-120



LW-E80



LW-EU80

### Optional Diffuser(PMMA)

| D080 type           |                 |         |        |         |       |
|---------------------|-----------------|---------|--------|---------|-------|
| Dimensions(mm)      | Max strip width | Opal    | Milky  | Frosted | Clear |
| 80*37.5             | 44.6mm          | √       | √      | /       | /     |
| Code                |                 | D080-O  | D080-M | /       | /     |
| Light Transmittance |                 | 63%     | 88%    | /       | /     |
| D080U type          |                 |         |        |         |       |
| Dimensions(mm)      | Max strip width | Opal    | Milky  | Frosted | Clear |
| 80*52.5             | 44.6mm          | √       | /      | /       | /     |
| Code                |                 | D080U-O | /      | /       | /     |
| Light Transmittance |                 | 57%     | /      | /       | /     |

<57.6W/m

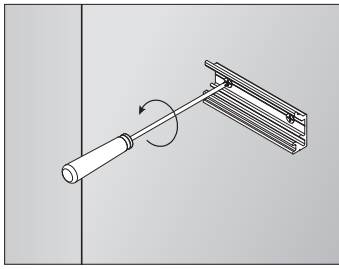
Aluminum Profile Weight:1.6kg/m

Stocked length availability:2m,2.5m.  
Customized length below 6m upon your request.

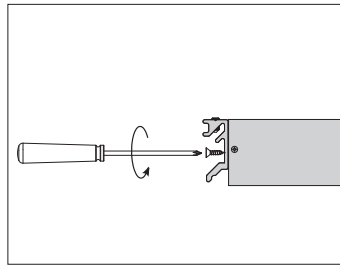


## Installing Instructions

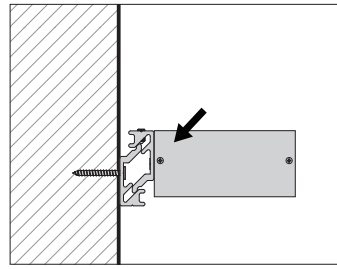
### Wall Mounted



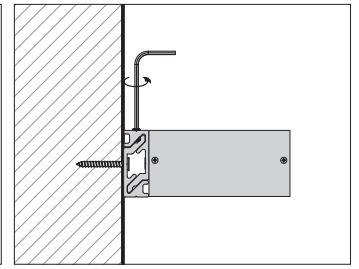
1. Attach the wall side clip to surface



2. Attach the other side of clip to light fixture

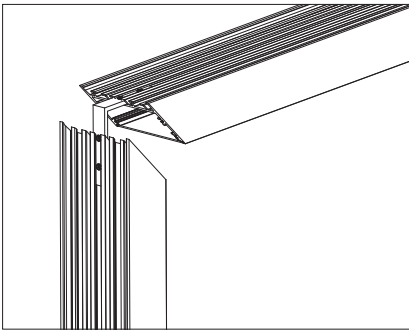


3. Mount the light fixture onto the wall attachment

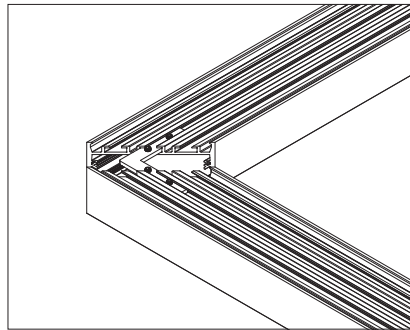


4. Secure the clips to ensure it stays in place

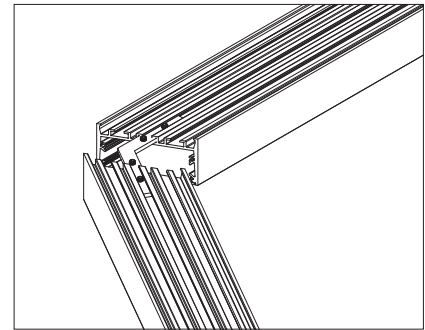
## Applicable joiners



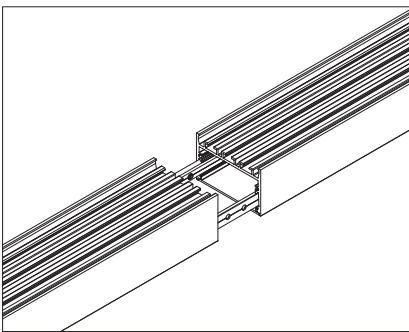
90°B



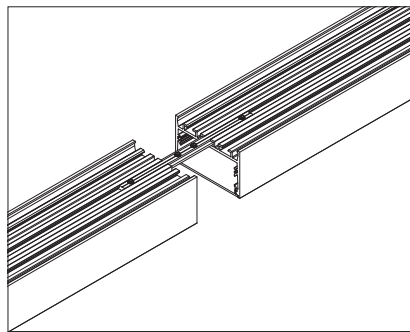
90°A



120°

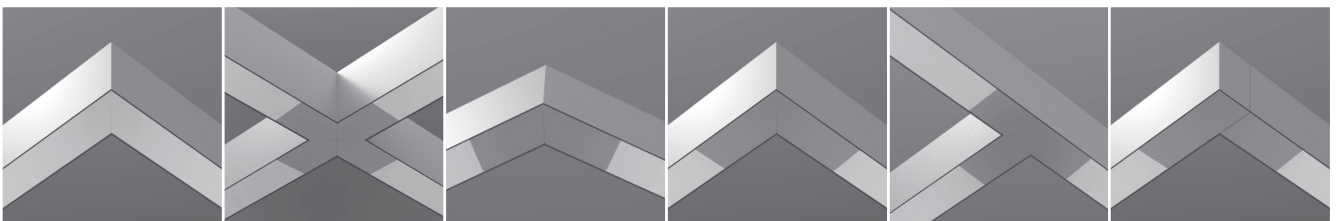


180°B



180°A

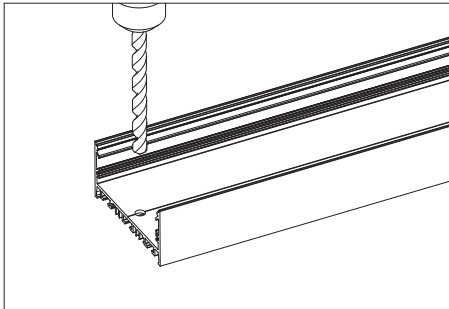
## Other installation & Connection ways.



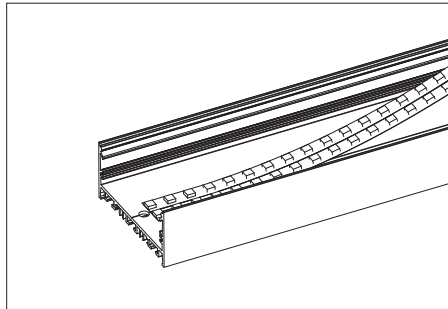


## Installing Instructions

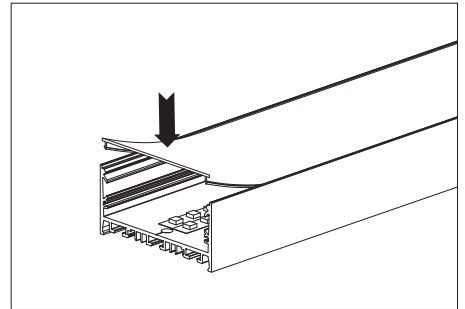
Suspended



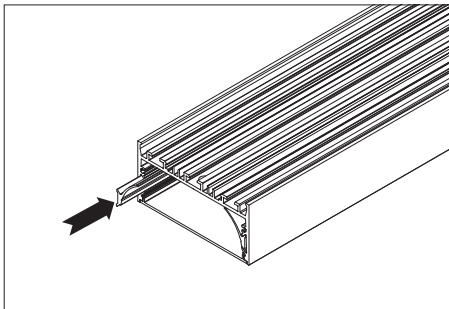
1. Drill a hole on the aluminium



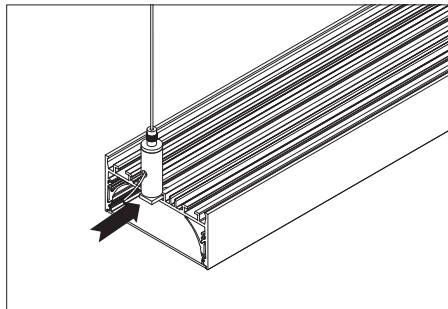
2. Fit the led strip on the aluminium



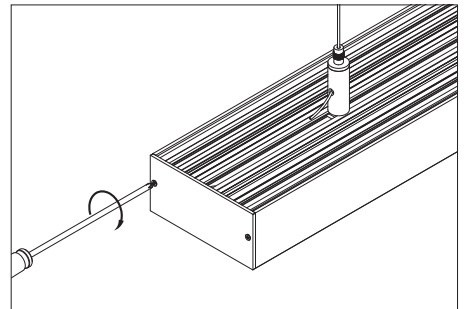
3. Click/snap on the diffuser from end to end



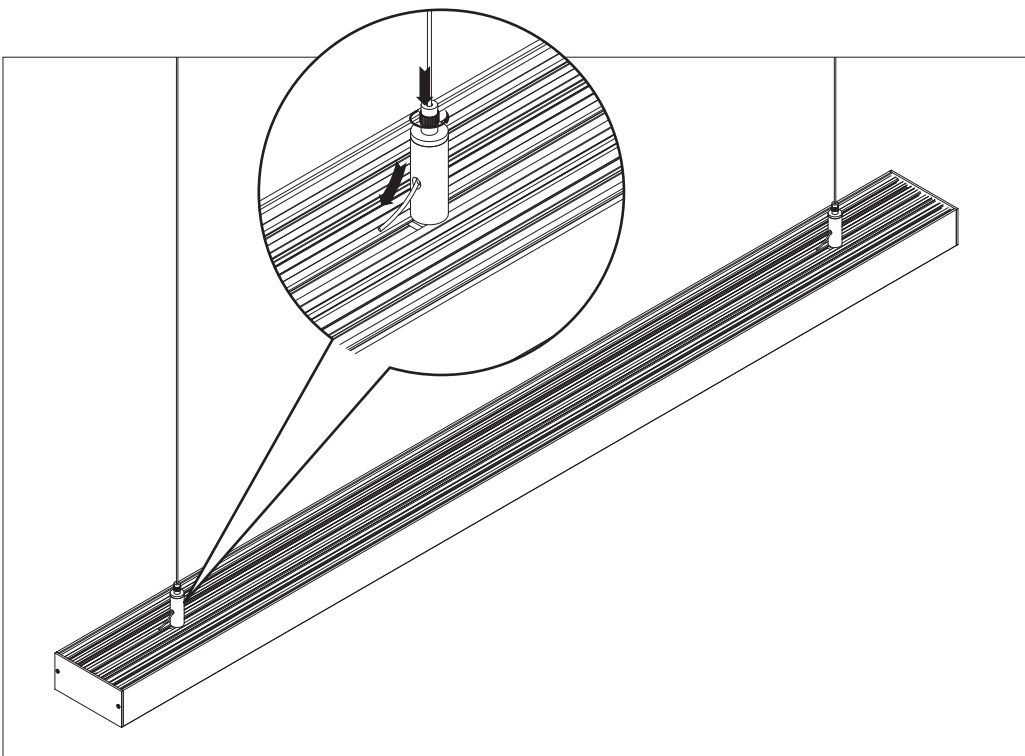
4. Install aluminium profile part C and fit well.



5. Install the suspension kits



6. screws the end caps



7. Fix the top joiner to the ceiling. Adjust the cable length to suit.

