

LW-E60 LW-EU60

ACCESSORIES :



Aluminum Profile
Code: E60



Alum. Reflector
Code: RF



Aluminum Endcap
(without hole)
Code: E60-Cap



Aluminum Screwless
Endcap
(without hole)
Code: E60-Cap-N



Aluminum diffuser
Code: E60-AD



Wall Clips
Code: WClip



Suspension Kits
Code: Sus.KitsA



Metal Clip
Code: MC-E50



Joiners 90°A
Code: J-90A



Joiners 90°B
Code: J-90B



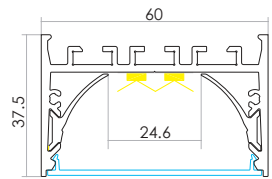
Joiners 180°A
Code: J-180A



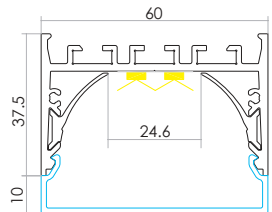
Joiners 180°B
Code: J-180B



Joiners 120°
Code: J-120



LW-E60



LW-EU60

Optional Diffuser(PMMA)

D060 type					
Dimensions(mm)	Max strip width	Opal	Milky	Frosted	Clear
60*37.5	24.6mm	✓	✓	/	/
Code		D060-O	D060-M	/	/
Light Transmittance		69%	80%	/	/
D060U type					
Dimensions(mm)	Max strip width	Opal	Milky	Frosted	Clear
60*47.5	24.6mm	✓	/	/	/
Code		D060U-O	/	/	/
Light Transmittance		42%	/	/	/

<57.6W/m

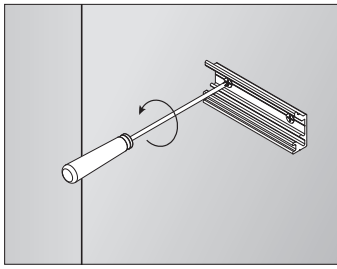
Aluminum Profile Weight:1.3kg/m

Stocked length availability:2m,2.5m.
Customized length below 6m upon your request.

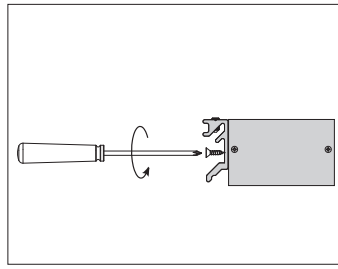


Installing Instructions

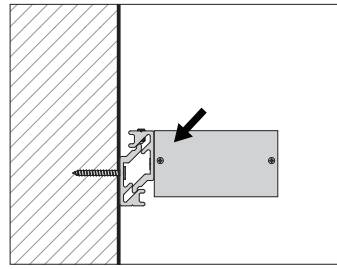
Wall Mounted



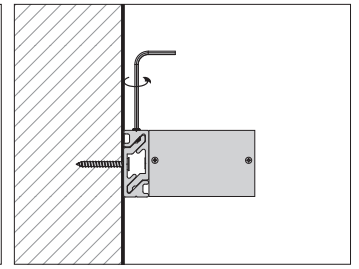
1. Attach the wall side clip to surface



2. Attach the other side of clip to light fixture

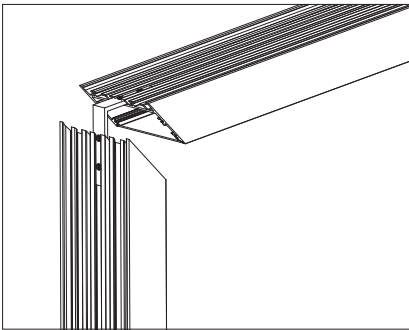


3. Mount the light fixture onto the wall attachment

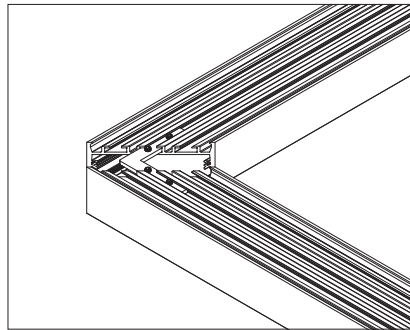


4. Secure the clips to ensure it stays in place

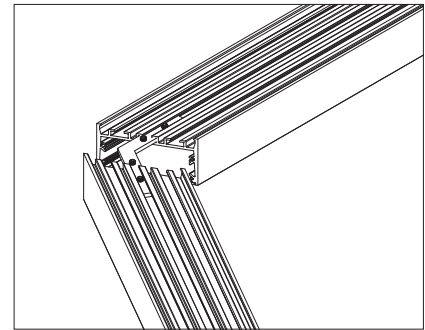
Applicable joiners



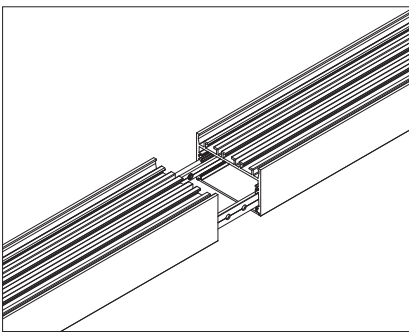
90°B



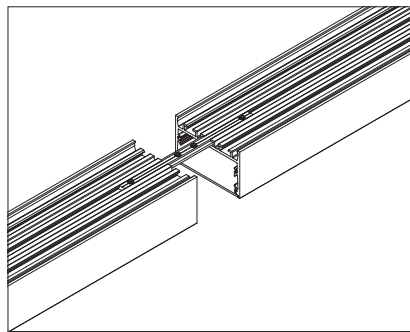
90°A



120°

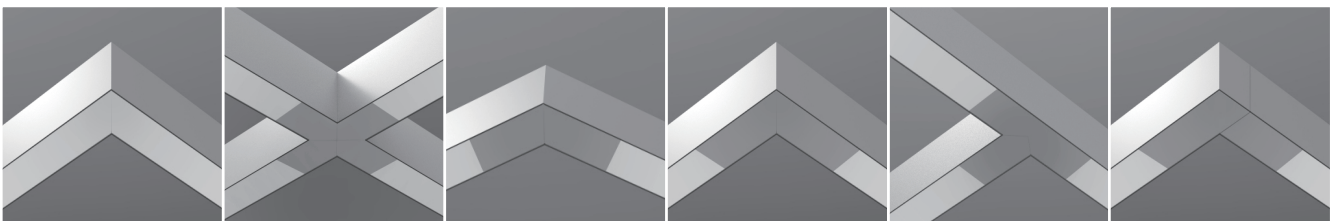


180°B



180°A

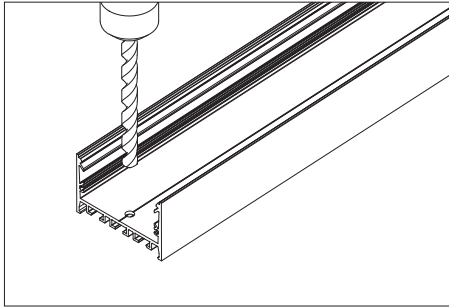
Other installation & Connection ways.



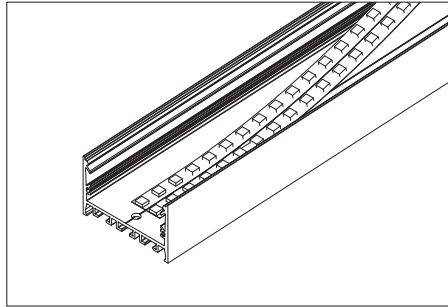


Installing Instructions

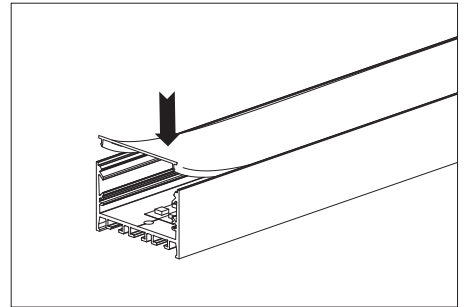
Suspended



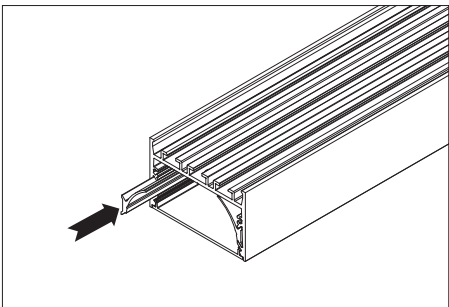
1. Drill a hole on the aluminium



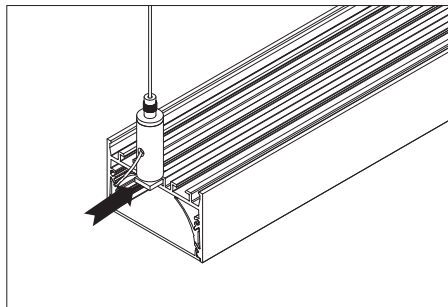
2. Fit the led strip on the aluminium



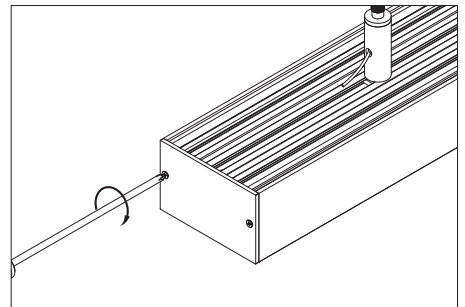
3. Click/snap on the diffuser from end to end



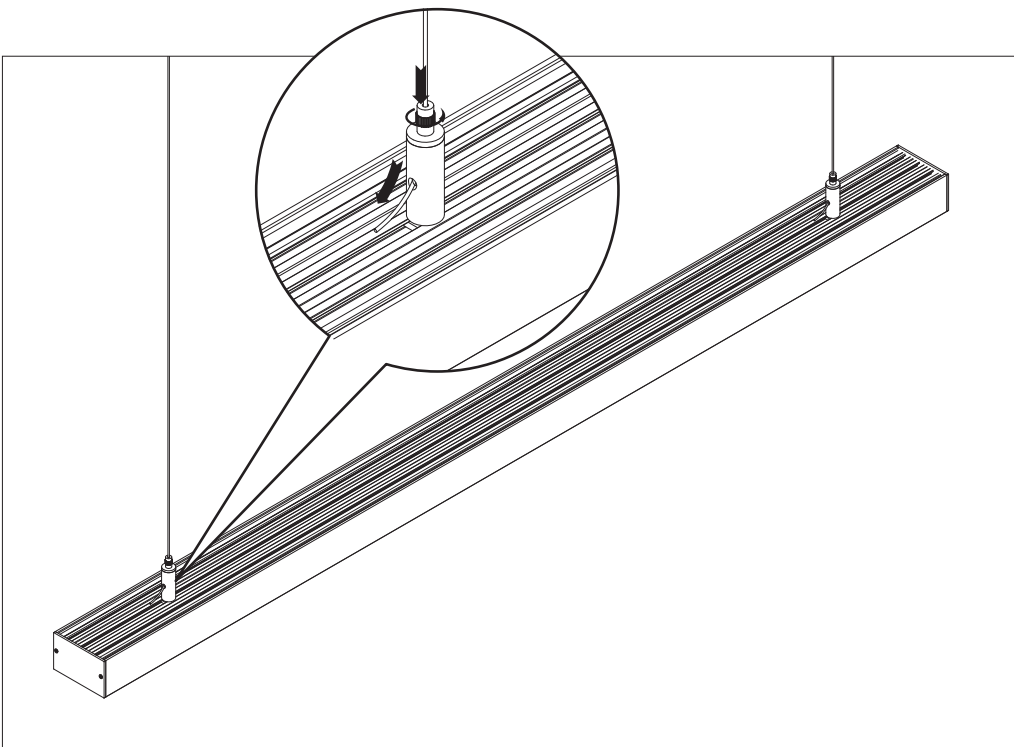
4. Install aluminium profile part C and fit well.



5. Install the suspension kits



6. screws the end caps



7. Fix the top joiner to the ceiling. Adjust the cable length to suit.

