

80° **LW-TR50** *NEW*

ACCESSORIES :



Alum. Trimless bar
Code: **LW-TR1**



Alum. bridge base
Code: **LW-AB50**



Aluminum Endcap
(without hole)
Code: **E50-Cap**



Aluminum Endcap
(with hole)
Code: **TR50-Cap**



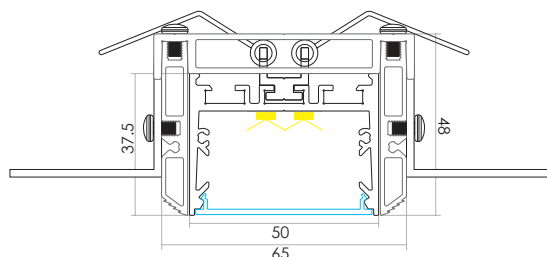
Stainless Steel L bracket
Code: **LW-LMB**



Spring Clip
Code: **SC-N31**

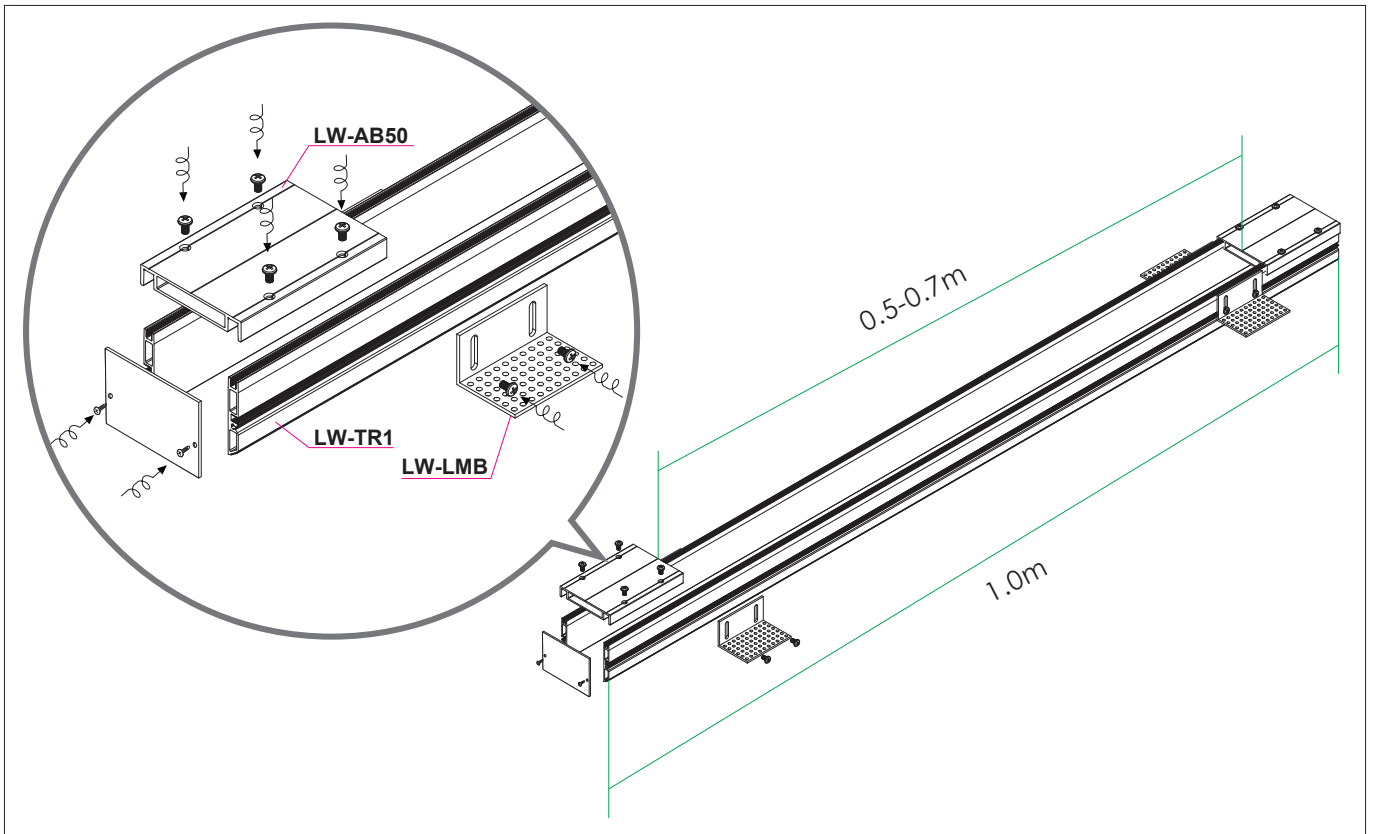


Aluminum diffuser
Code: **E50-AD**

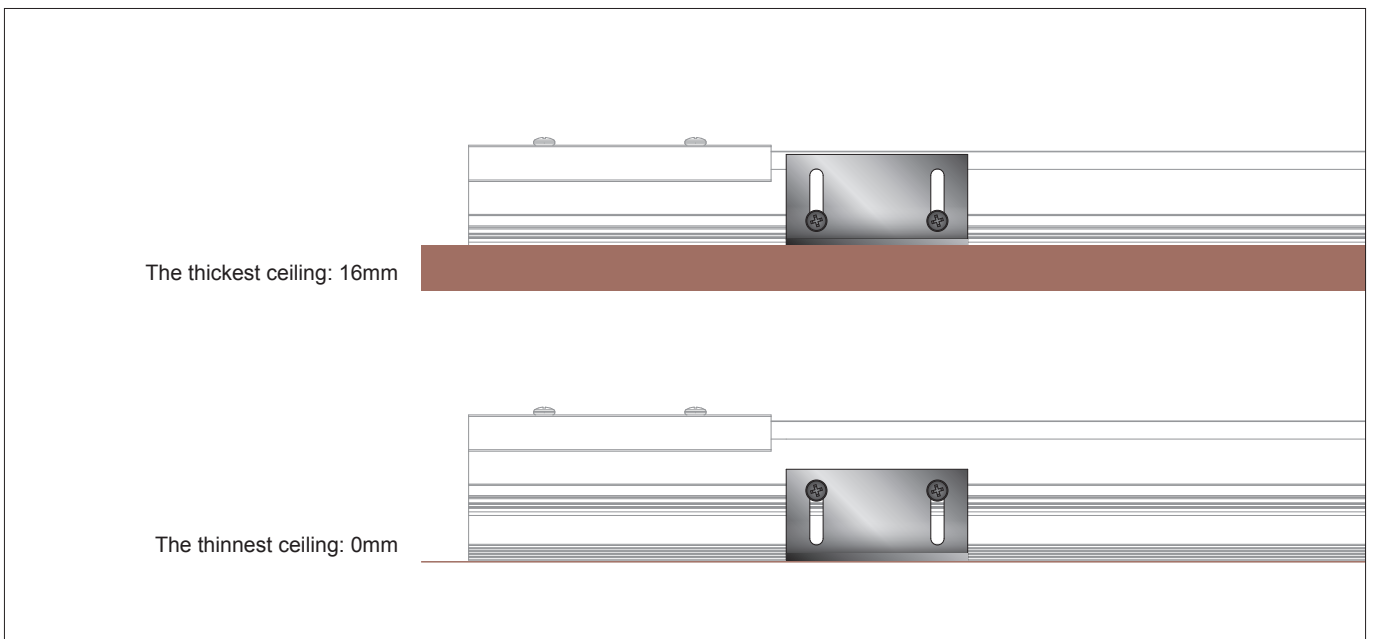


Optional Diffuser(PMMA)					
D050 type					
Dimensions(mm)	Max strip width	Opal	Milky	Frosted	Clear
65*48	46mm	✓	✓	/	/
Code		D050-O	D050-M	/	/
Light Transmittance		67%	80%	/	/

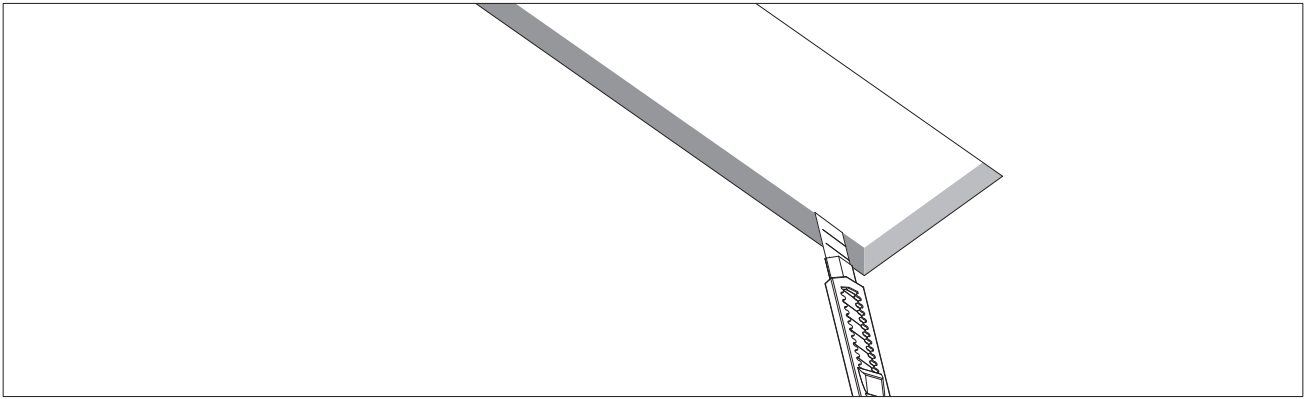
<57.6W/m
Aluminum Profile Weight:2.2kg/m
Stocked length availability:2m,2.5m.
Customized length below 6m upon your request.



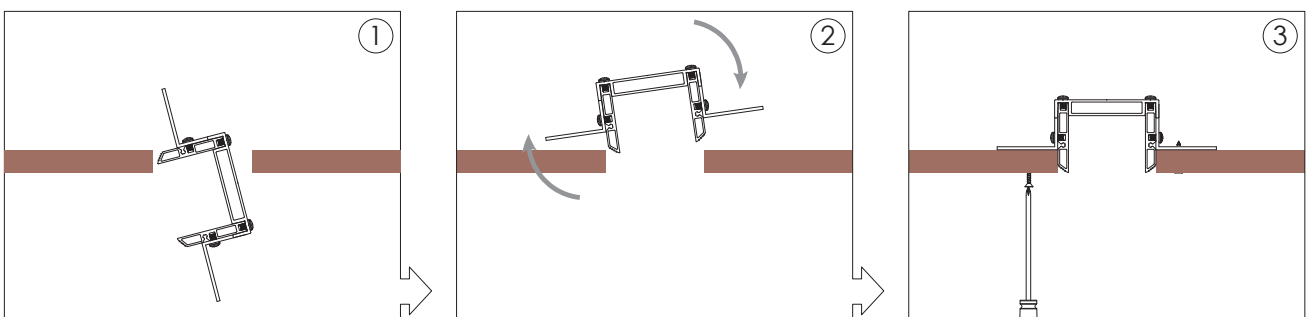
1. Assemble the AB and TR1 into each other as pictured above, followed by the end caps into place. Ensure the AB clamps are placed between 50-70cm apart.



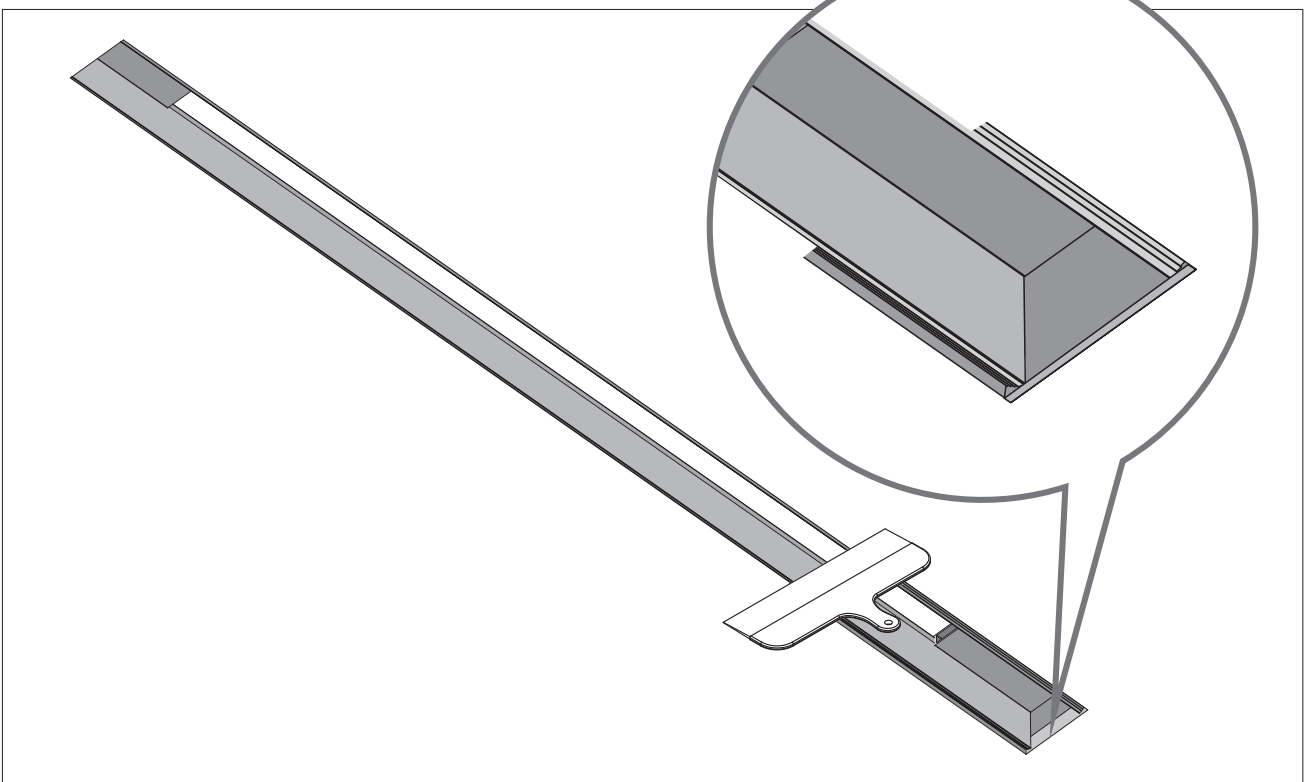
2. Adjust and install the L brackets according to ceiling board thickness.



3. Cut out required hole

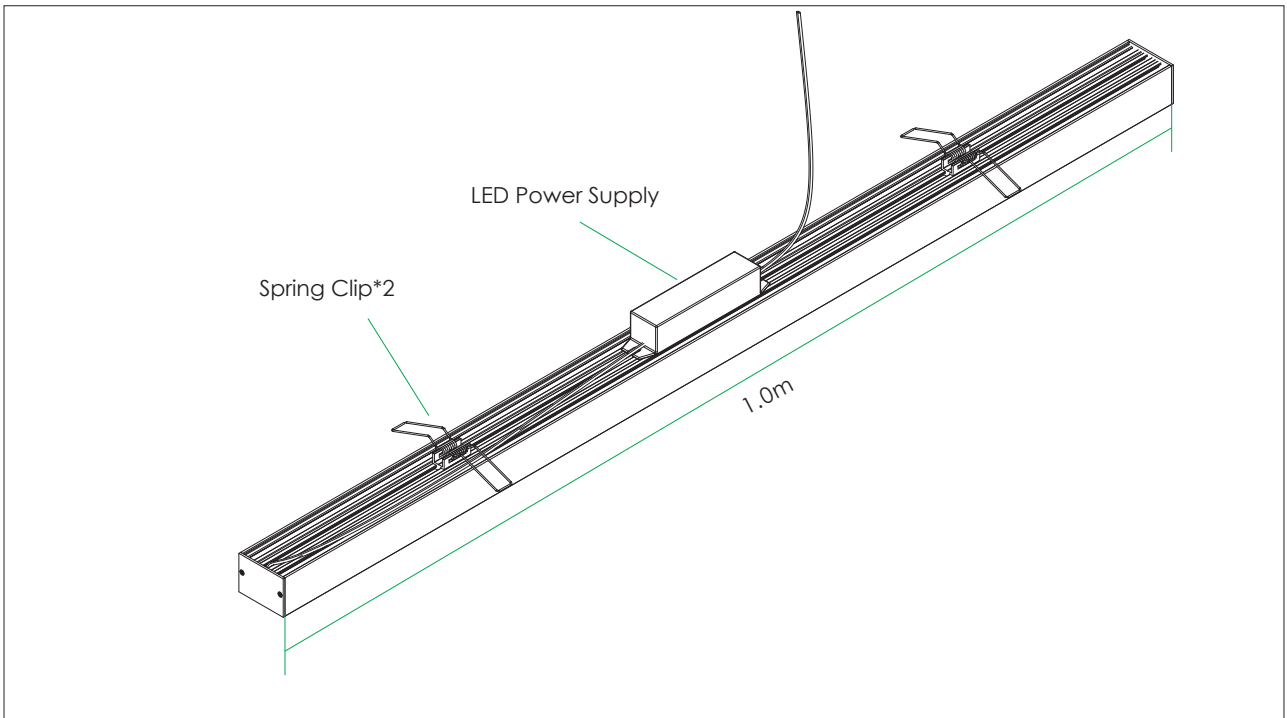


4. Insert the housing sideways into the cut-out hole, then rotate it until it lays flat on the ceiling board. Secure with screws from the underside of the ceiling board (ceiling surface).

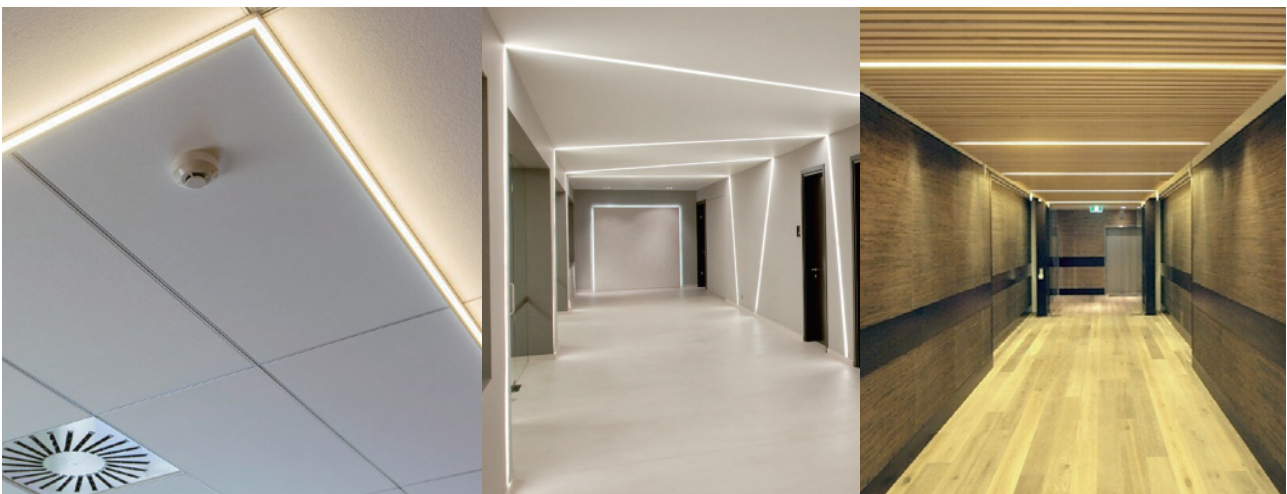
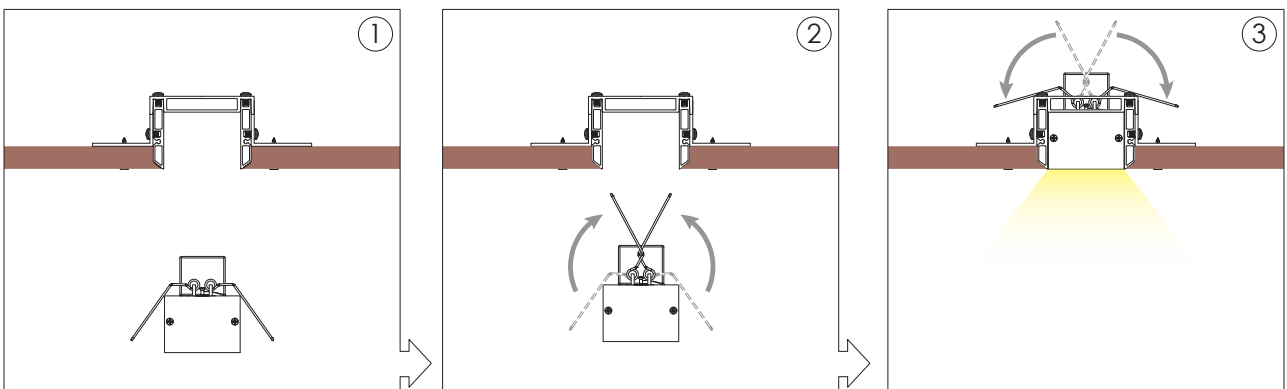


5. Patch up imperfections with ceiling plaster.

Installation Instructions for the linear light

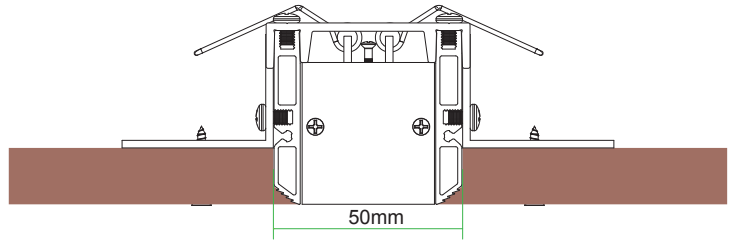
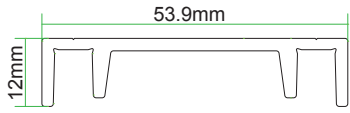


6. Using compatible linear profiles, prepare the light for install as below.

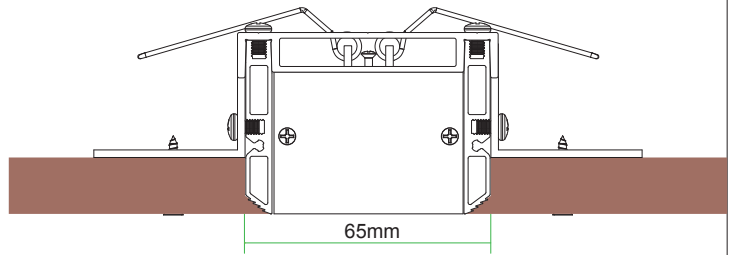
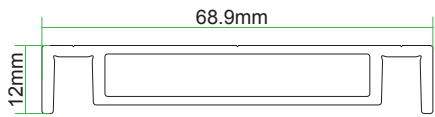


7. Install finished.

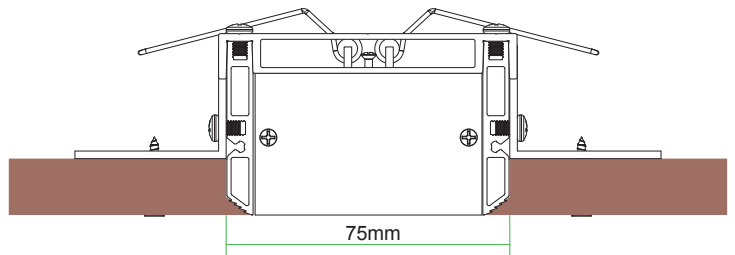
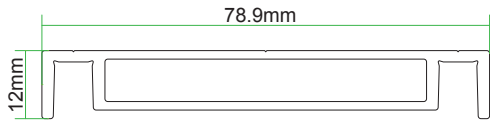
LW-AB35



LW-AB50



LW-AB60



LW-AB80

