

Recessed



LW-ER50 ^{HOT}

ACCESSORIES :



Aluminum Profile
Code: E50



Recessed wing
Code: ER



Aluminum Endcap
(with/without hole)
Code: ER50-Cap
Code: ER50-Cap-H



Aluminum diffuser
Code: E50-AD



Spring Clip
Code: SC-ER



Joiners 90°A
Code: J-90A



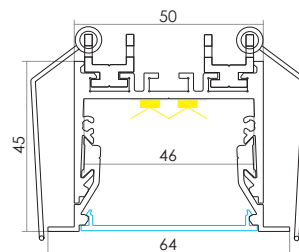
Joiners 90°B
Code: J-90B



Joiners 180°A
Code: J-180A



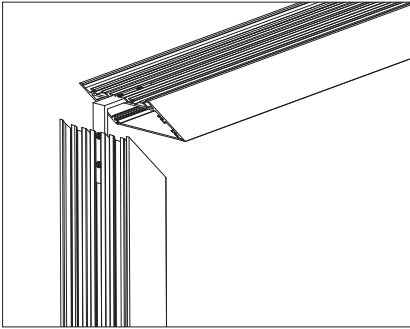
Joiners 120°
Code: J-120



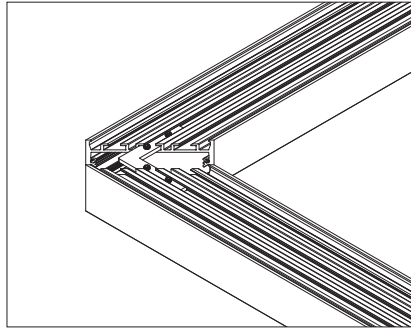
Optional Diffuser(PMMA)					
D050 type					
Dimensions(mm)	Max strip width	Opal	Milky	Frosted	Clear
50*37.5	46mm	√	√	/	/
Code		D050-O	D050-M	/	/
Light Transmittance		67%	80%	/	/

<57.6W/m
Aluminum Profile Weight:1.2kg/m
Stocked length availability:2m,2.5m.
Customized length below 6m upon your request.

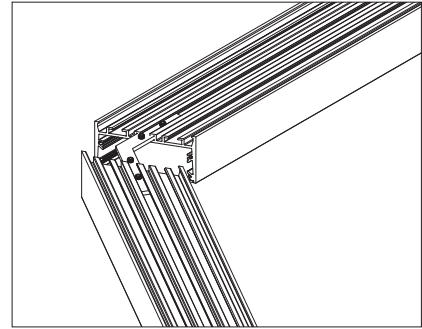
Applicable joiners



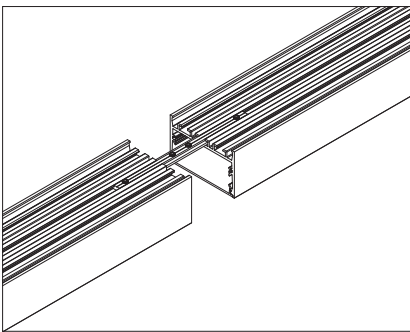
90°B



90°A



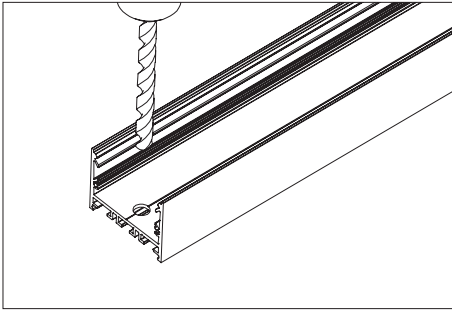
120°



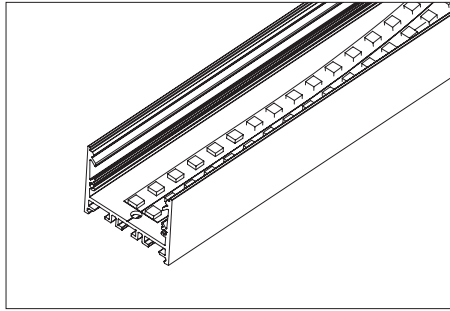
180°A

Other installation & Connection ways.

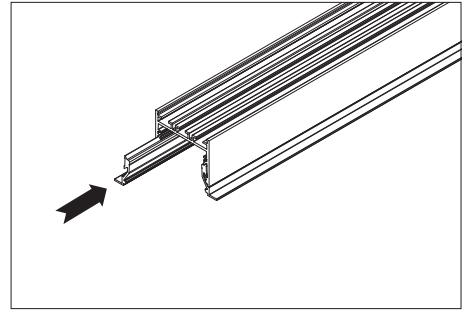




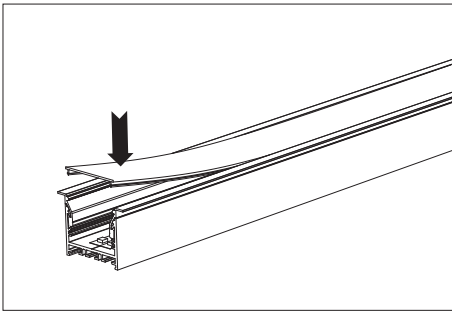
1. Drill a hole on the aluminium



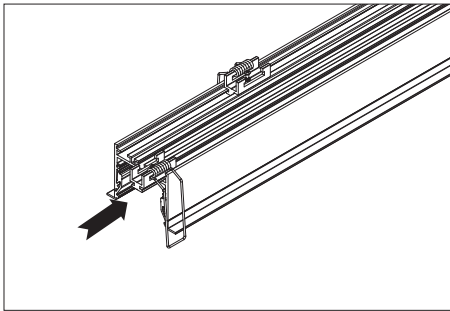
2. Fit the led strip on the aluminium



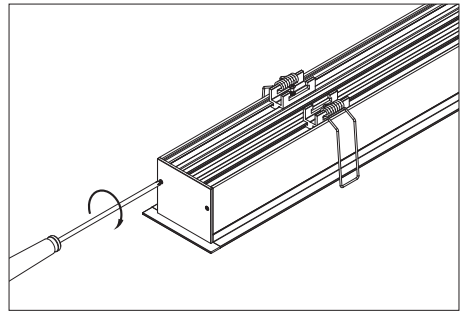
3. Install aluminium profile part B and fit well.



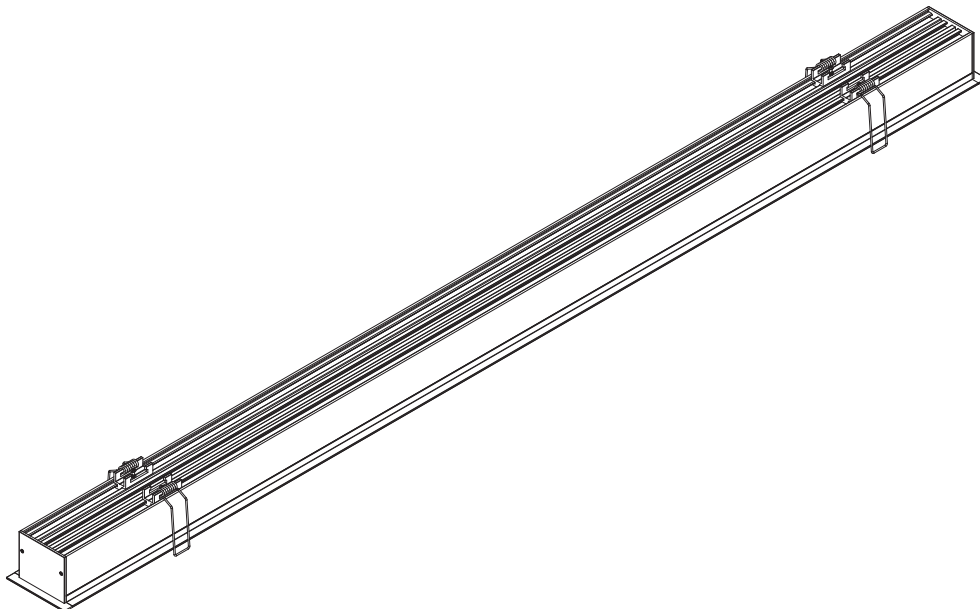
4. Click/snap on the diffuser from end to end



5. Install the Spring Clips



6. screws the end caps



7. Installation completed.



Installing Instructions

Recessed

