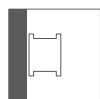


Suspended



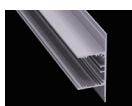
Wall Mounted



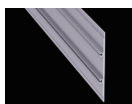
# LW-AW5-1

Up/Down

## ACCESSORIES :



Aluminum Profile  
Code: **AW5**



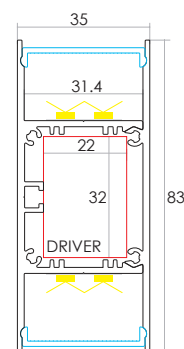
Aluminum Profile 2  
Code: **AW4-1**



Aluminum Endcap  
(without hole)  
Code: **AW5-1-Cap**



Suspension Kits  
Code: **Sus.KitsA**



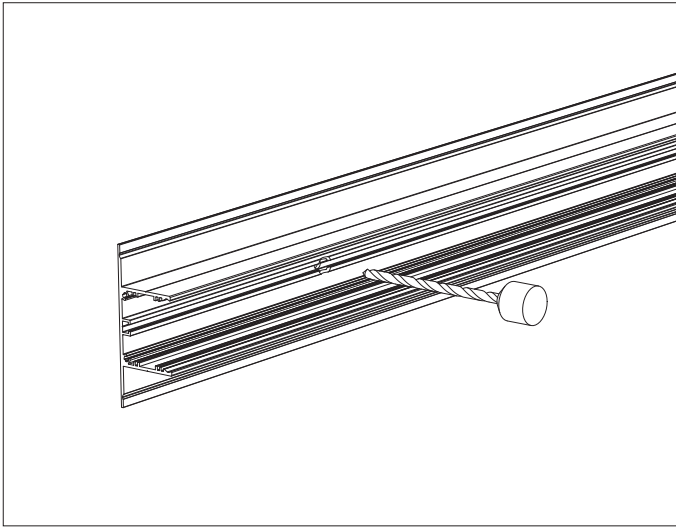
Optional Diffuser(PMMA)					
D005 type					
Dimensions(mm)	Max strip width	Opal	Milky	Frosted	Clear
35*83	31.4mm	√	√	√	√
Code		D005-O	D005-M	D005-F	D005-C
Light Transmittance		63%	78%	89%	95%

<19.2W/m  
Aluminum Profile Weight:1.3kg/m  
Stocked length availability:2m,2.5m.  
Customized length below 2.5m upon your request.

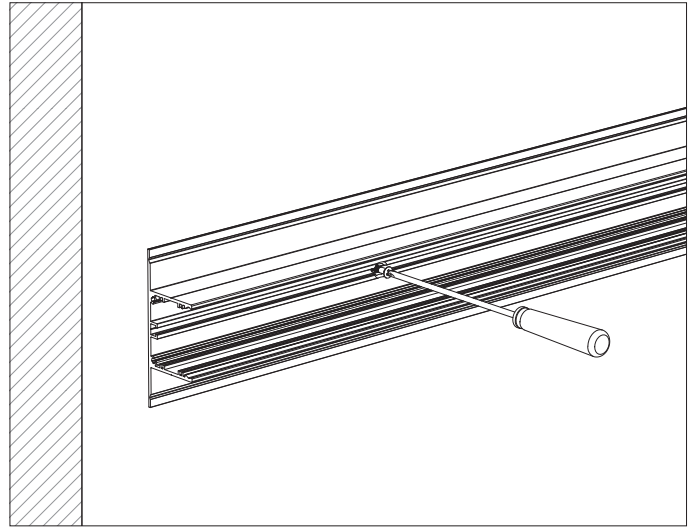


## Installing Instructions

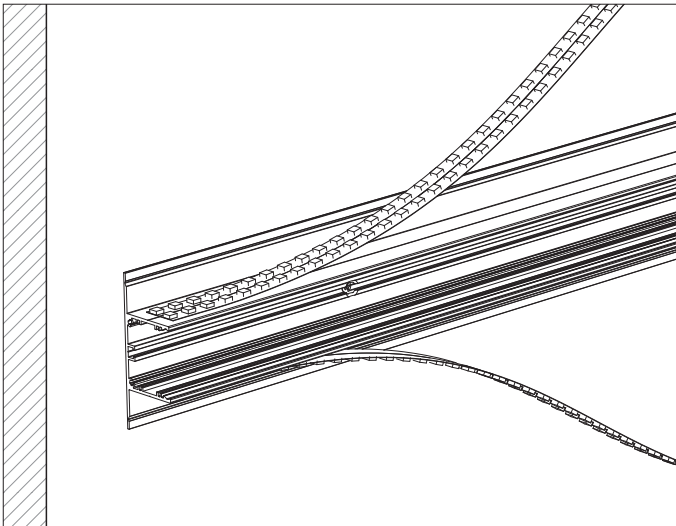
Wall Mounted



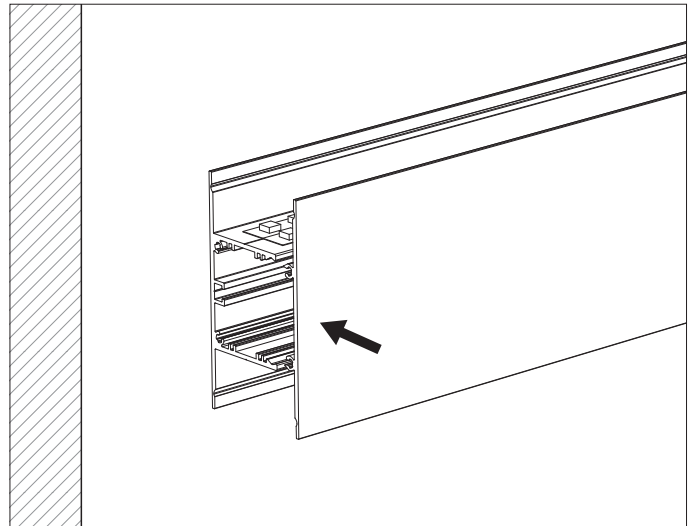
1. Drill a hole on the aluminium



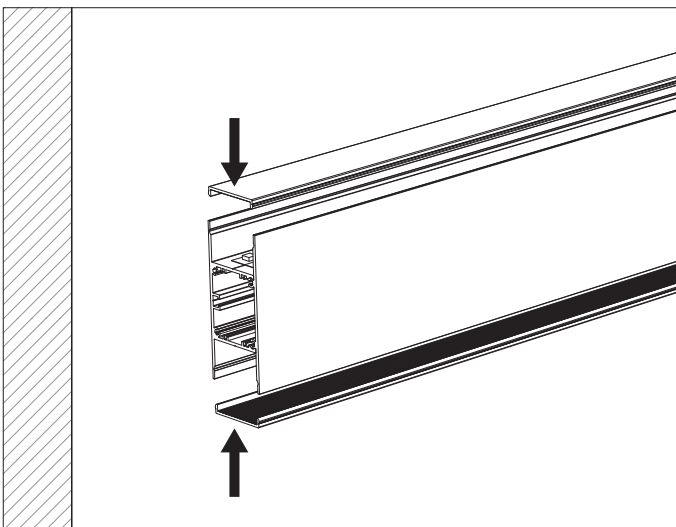
2. Screws the aluminium on the wall



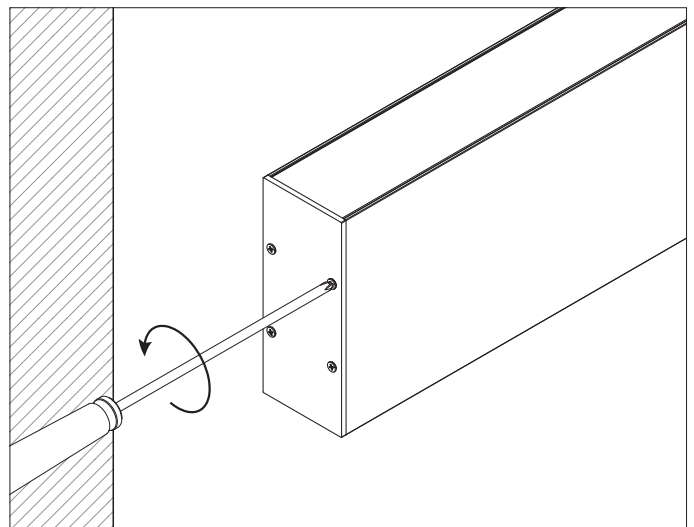
3. Stick the led strip



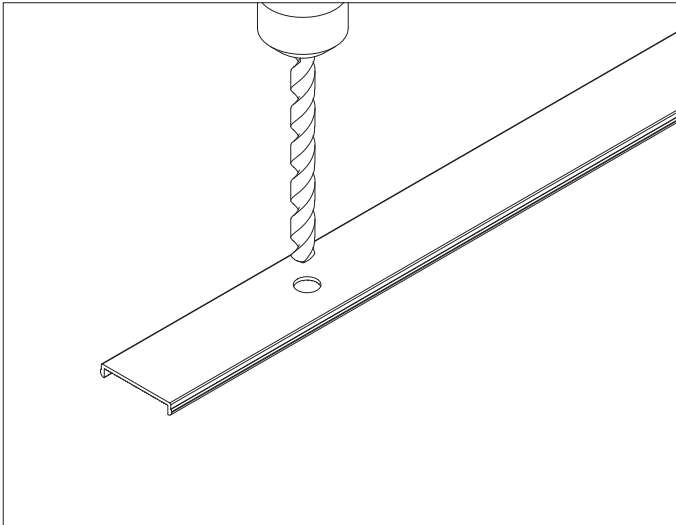
4. Button up another aluminium



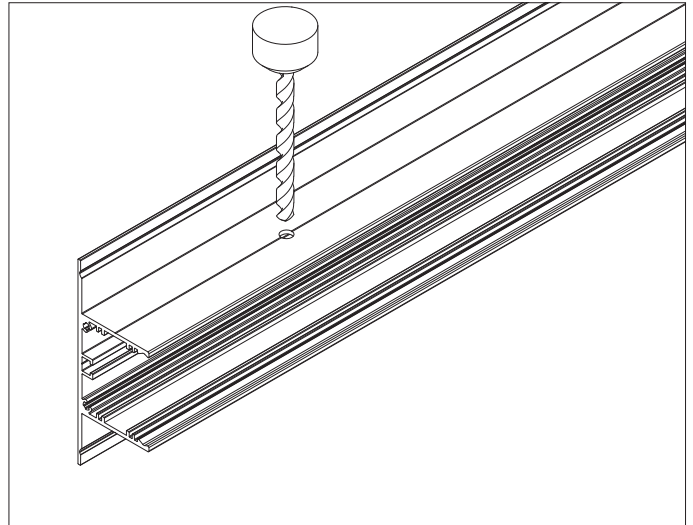
5. Click/snap on the diffuser from end to end



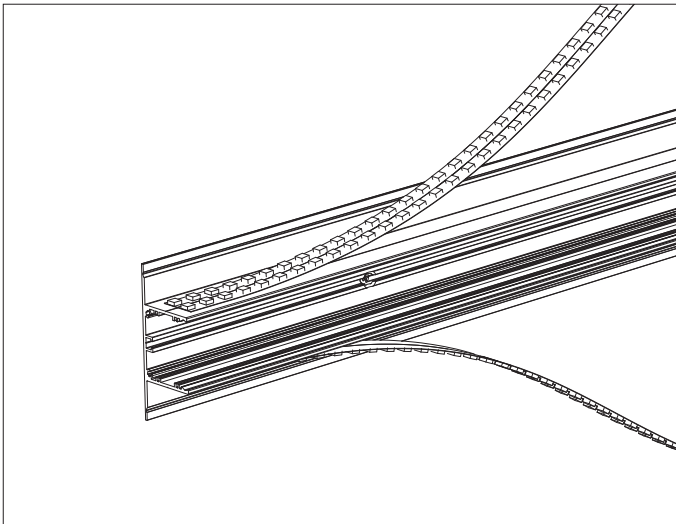
6. Screws the end caps



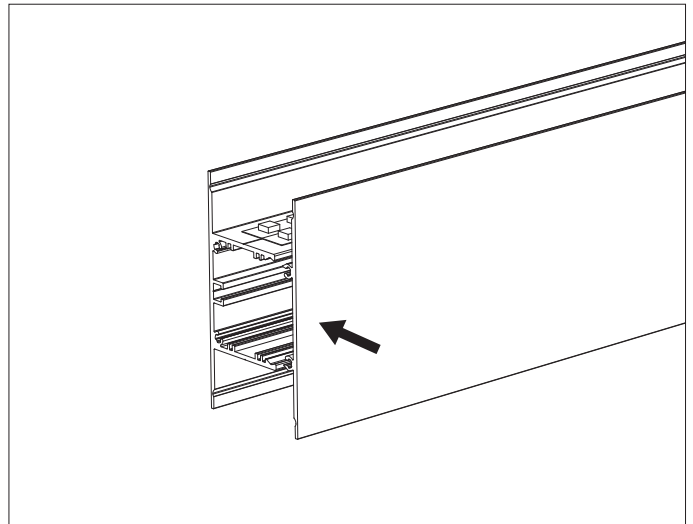
1. Drill a hole on one of the Diffuser



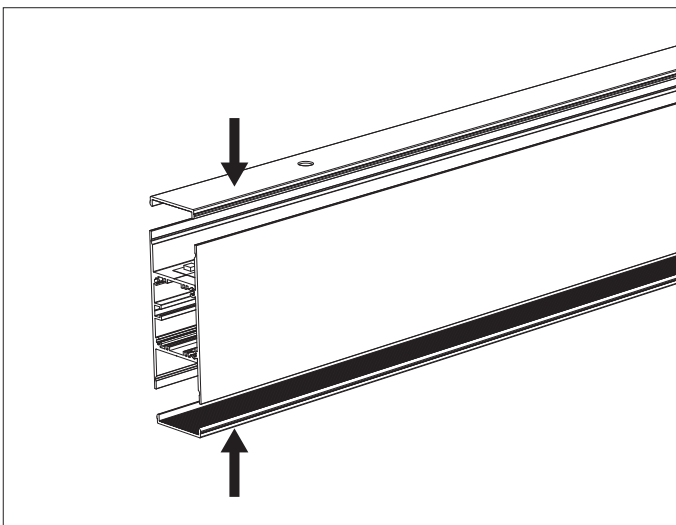
2. Drill a hole on the aluminium



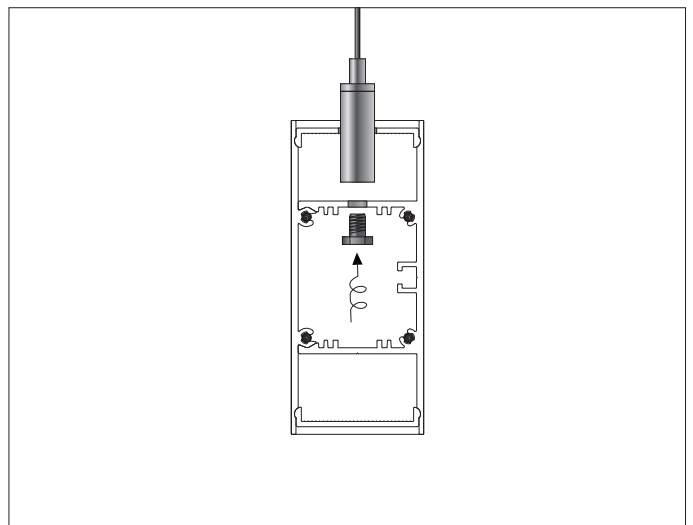
3. Stick the led strip



4. Button up another aluminium



5. Click/snap on the diffuser from end to end

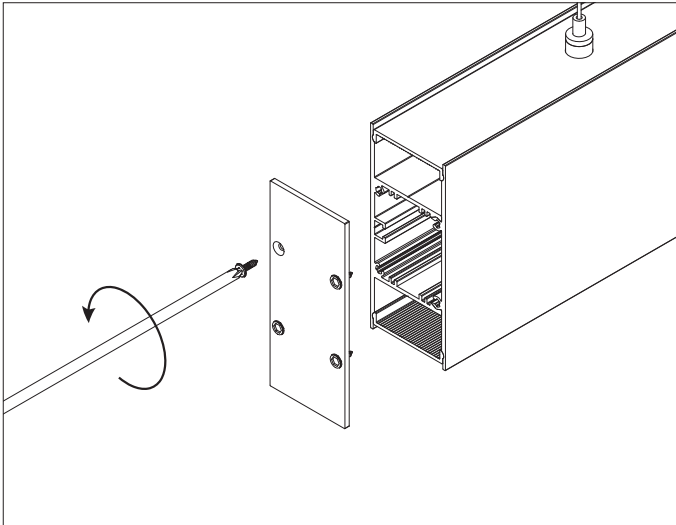


6. Install the suspension kits

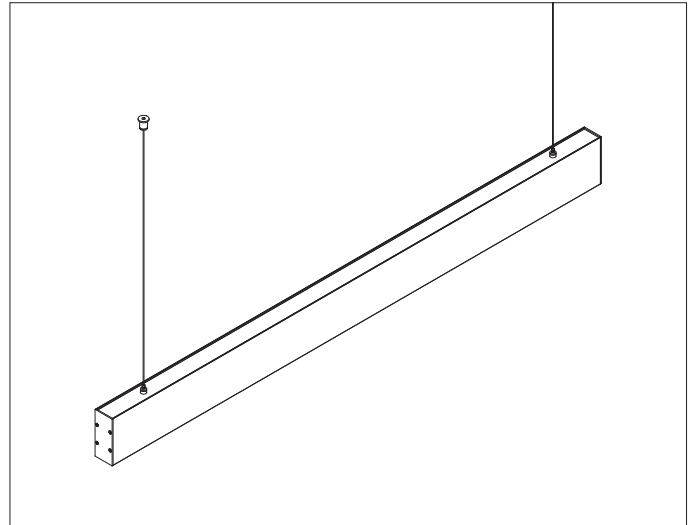


## Installing Instructions

Suspended



7. Screws the end caps



8. Installation completed

