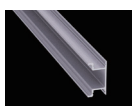


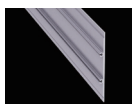
LW-AW4-1

Up/Down

ACCESSORIES :



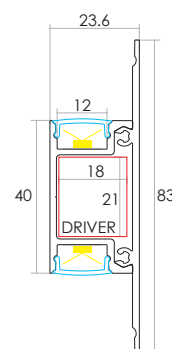
Aluminum Profile
Code: AW4



Aluminum Profile 2
Code: AW4-1



Aluminum Endcap
(without hole)
Code: AW4-1-Cap



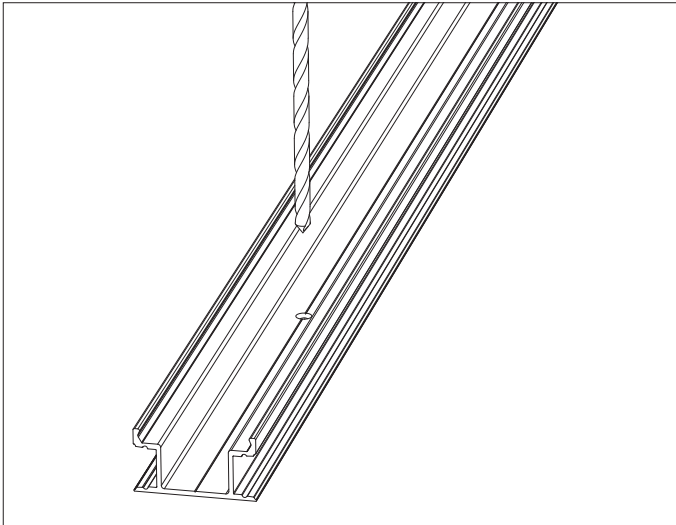
Optional Diffuser(PMMA/PC)					
D001 type					
Dimensions(mm)	Max strip width	Opal	Milky	Frosted	Clear
23.6*83	12mm	√	√	√	√
Code		D001-O	D001-M	D001-F	D001-C
Light Transmittance		52%	64%	81%	95%

<14.4W/m
Aluminum Profile Weight:0.9kg/m
Stocked length availability:2m,2.5m.
Customized length below 2.5m upon your request.

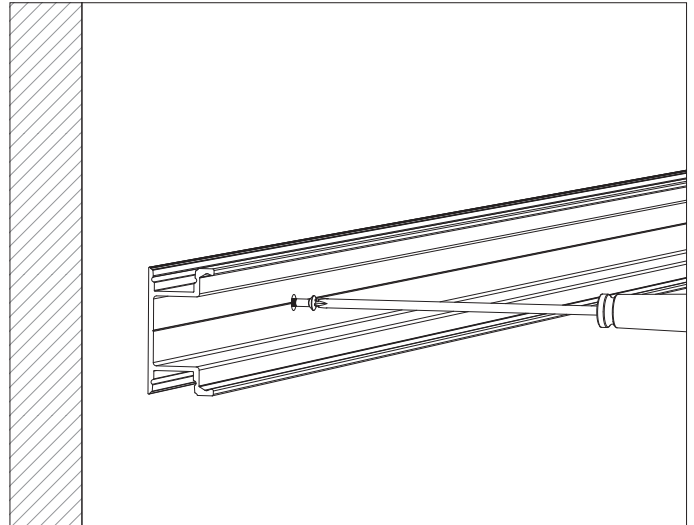


Installing Instructions

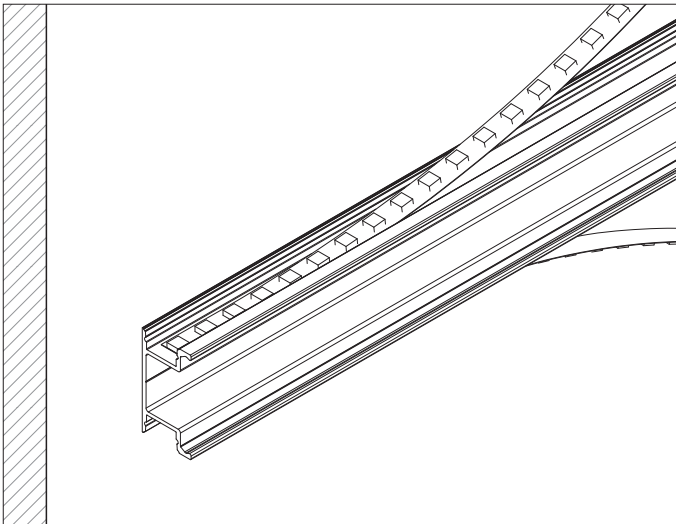
Wall Mounted



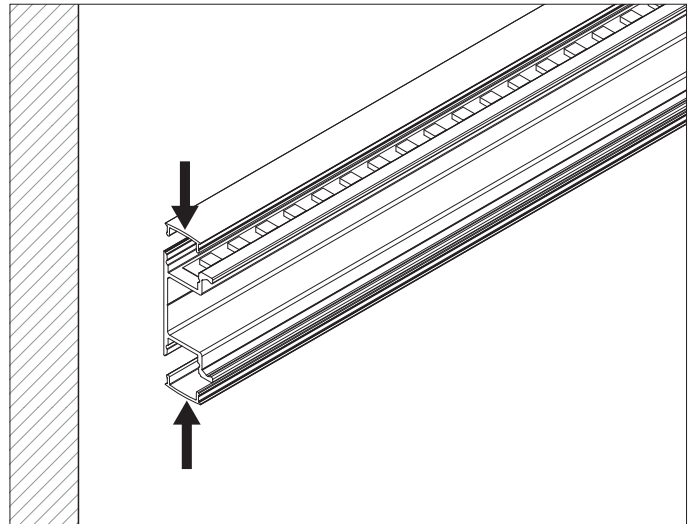
1. Drill a hole on the aluminium



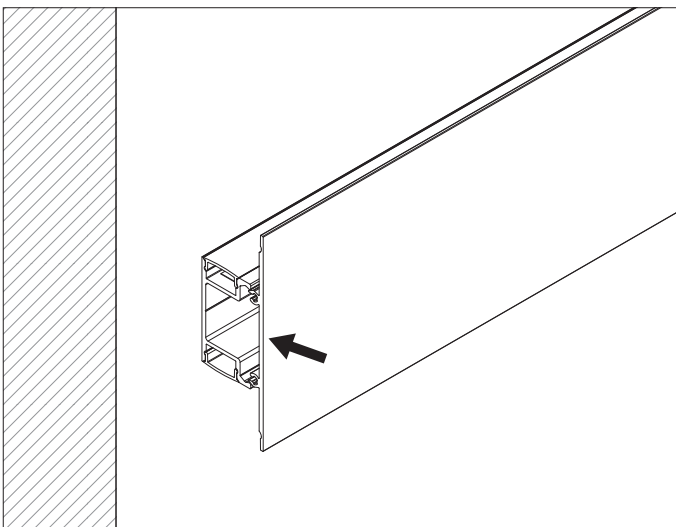
2. Screws the aluminium on the wall



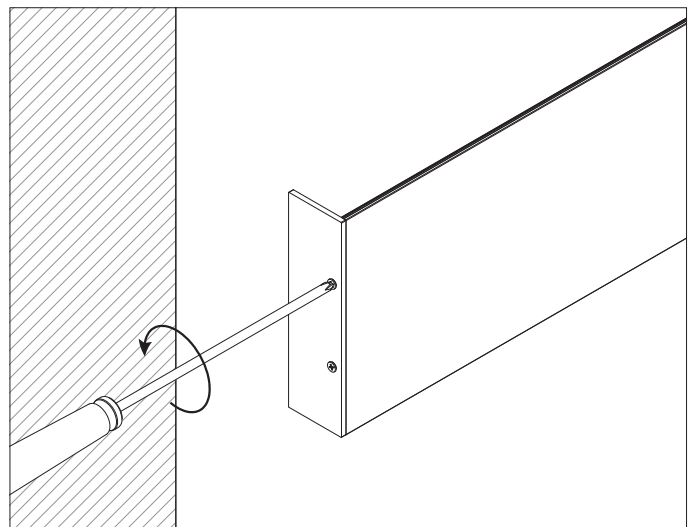
3. Stick the led strip



4. Click/snap on the diffuser from end to end



5. Button up another aluminium



6. Screws the end caps