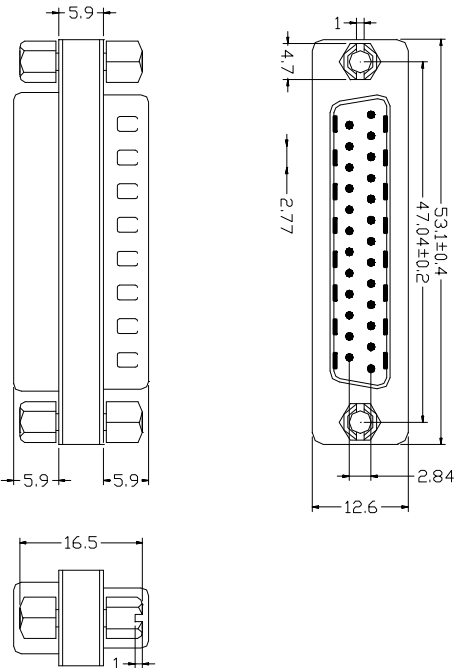
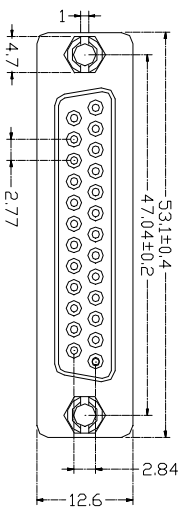


序号/Item No. 更改记录/Revision note 签名/Signature 日期/Date

DB25M



DB25F



设计/Designed by 绘图/Drawing by 审核/Checked by 批准/Approved by 公差/公差

General Tolerances

图名/File name 文件编号/File No.

DB25M/DB25F插接头

页序/Sheet:

备注/Remark XYA049

单位/Unit: MM

.X ±0.2 .X' ±2°

.X ±0.1 .X' ±1°

.XX ±0.05 .XX' ±0.5°

新莱亚电子科技

XINLAIYA ELECTRONIC CO., LTD