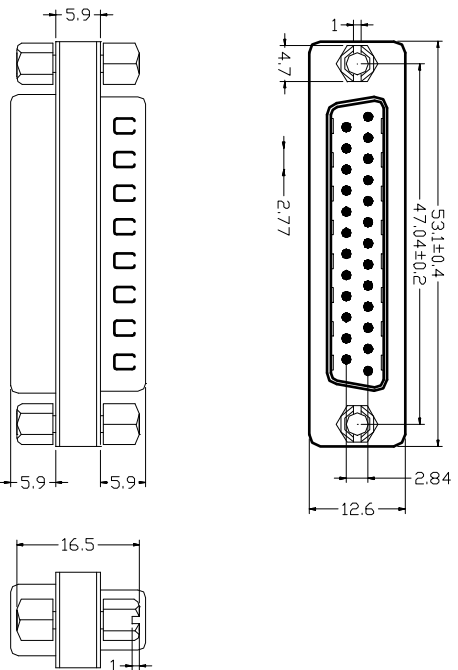
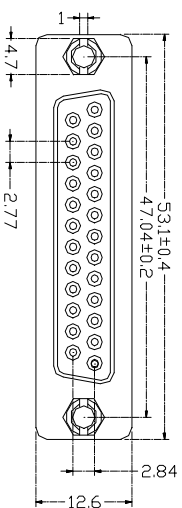


序号/Revno. 更改记录/revision note 签名/signature 日期/date

### DB25M



### DB25F



设计/Designed by 绘图/Drawing by 审核/Checked by 批准/Approved by 公差/公差

General Tolerances

X.  $\pm 0.2$  X.'  $\pm 2^\circ$

.X  $\pm 0.1$  .X'  $\pm 1^\circ$

.XX  $\pm 0.05$  .XX'  $\pm 0.5^\circ$

.XXX  $\pm 0.01$

单位/units: mm

图名/File name 文件编号/File No.

DB25M/DB25F转接头 页序/Sheet:

备注/Remark XYA049

新莱亚电子科技 XINLAIYA ELECTRONIC CO., LTD