

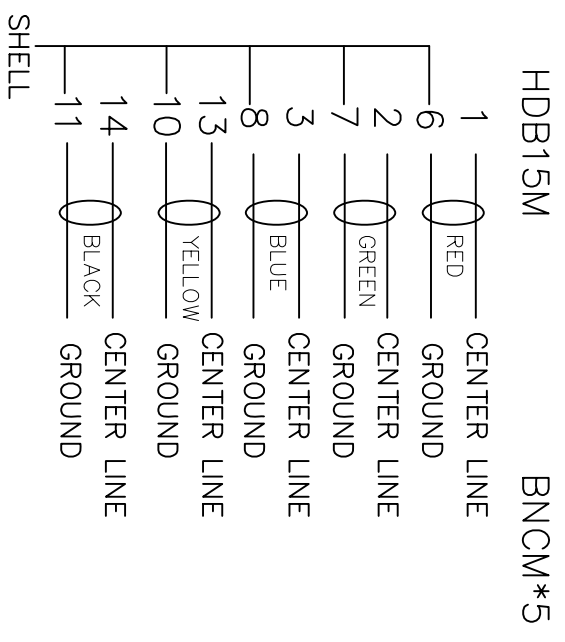
NOTE:

1. Electrical test:
 (1). 100% open short & miss wire test;
 (2). Insulation resistance: 10 MEGOHMS Min;
 (3). Plug contactor resistance: 5 OHMSm Max;
 2. RoHS compliant.

MATERIAL LIST:

No.	PART NAME	DESCRIPTION	QTY
⑩	LENGTH		
⑨	FERRITE	DEFRITTE CORE WITH PVC MOLD, COLOR: GREY	1
⑧	PRINTING	29*9 VW-1 80°C 30V LOW VOLTAGE COMPUTER CABLE	
⑦	CABLE	(7/0.12BC+FP+14/0.10BC+PVC)X5 COAX+AL+PVC OD=8.5mm	1
⑥	SCREW	NICKEL PLATED, WITH PVC MOLD, COLOR: GREY	2
⑤	MOLD HOOD	BNC*5 MALE: PVC, COLOR: GREY	5
④	MOLD HOOD	HDB15 MALE: PVC, COLOR: GREY	1
③	MOLD HOOD	HDB15 MALE: LD-PE	1
②	CONNECTOR	HDB15 PIN MALE: SOLDER TYPE, GOLD PLATED PIN, NICKEL PLATED SHELL	1
①	CONNECTOR	BNC*5 MALE: SOLDER TYPE, GOLD PLATED PIN, NICKEL PLATED SHELL	5

PIN OUT



设计 / Designed by	绘图 / Drawing by	审核 / Checked by	批准 / Approved by	未注公差 / General Tolerance
				x ±0.2 x ±0.1 xxx ±0.05 xxx ±0.01
				x' ±2 x' ±1 xx' ±0.5 xxx ±0.01
				mm