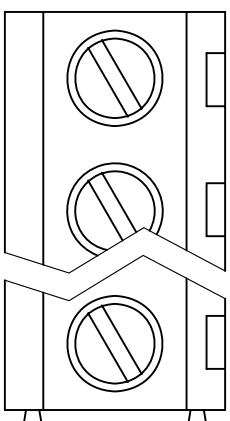
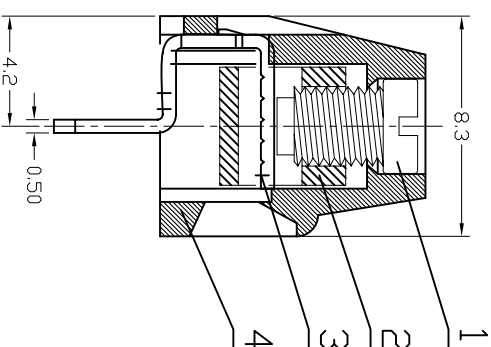
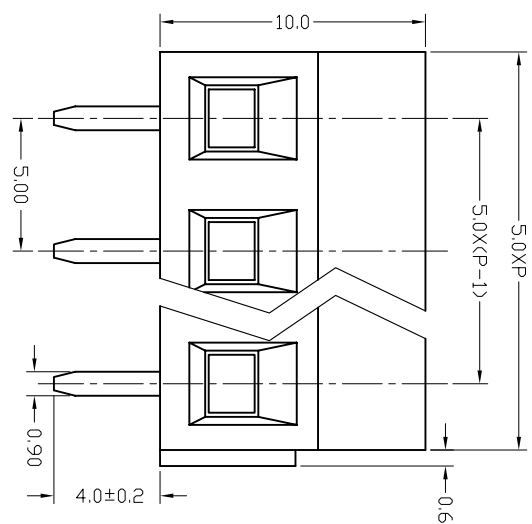


序号/Rev.No.	名称/Title	文件编号/File No.
1	XY304螺丝	QJ/XYT-2150101
2	XY127端子架 (与XY304端子架共用)	QJ/XYT-2150102
3	XY127V 端子	QJ/XYT-2139101
4	XY127 塑件	QJ/XYT-2139102



300V 12A 26-14AWG 1.5mm<sup>2</sup>  
Poles: 2P&3P-24P  
Pitch: 5.0mm (.197")

### Materials

Housing: PA66 (UL 94V-0)  
Wire Cage: Brass, Nickel plated  
Solder Pin: Brass, Tin Plated  
Screw: M3, Steel, Zinc Plated  
Torque: 0.5N.m

设计/Designed by	绘图/Drawing by	审核/Checked by	批准/Approved by	未注公差 General Tolerance
				X ±0.2 X <sup>+</sup> ±0.1 X <sup>-</sup> ±0.1 .XX ±0.05 .XX ±0.01



XINLAIYA ELECTRONIC CO., LTD

序号/Rev.No. 更改记录/Revision note 签名/Signature 日期/Date

备注/Remark

单位/Unit: mm