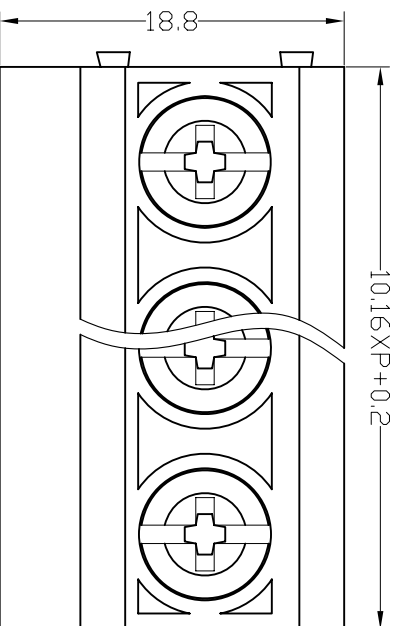
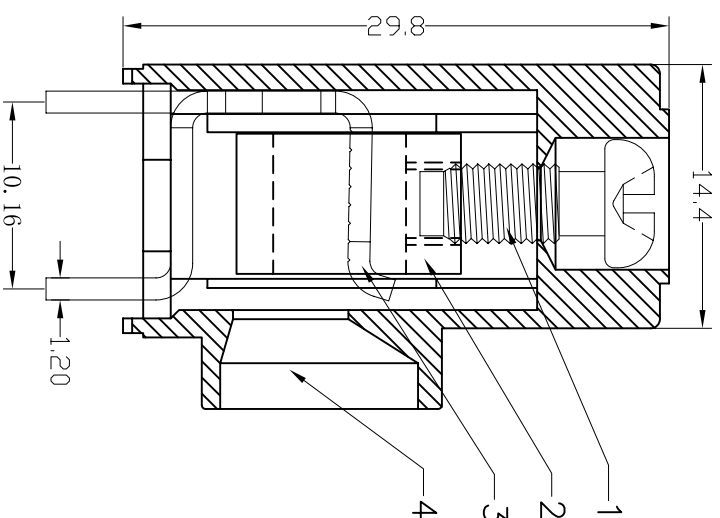
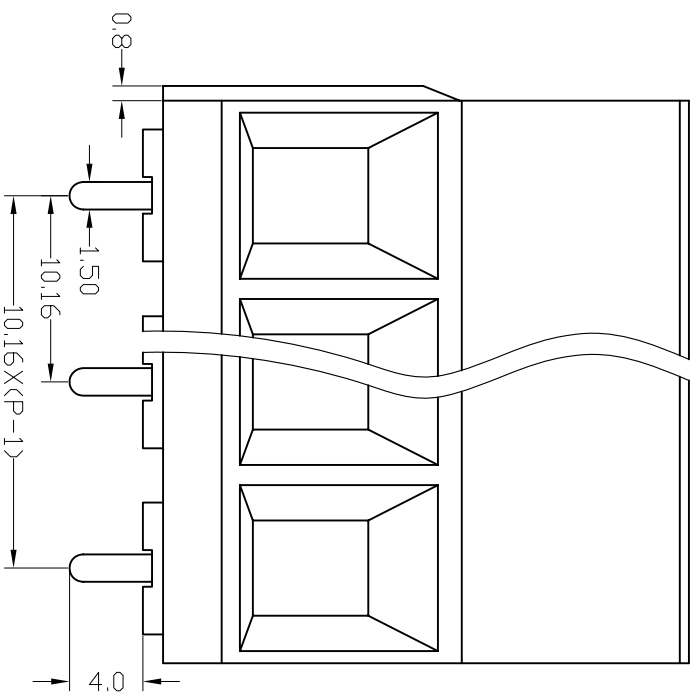


序号/RevNo.	名称/Title	文件编号/File No.
1	XY135 螺丝	QJ/XYT-2143101
2	XY135 方块	QJ/XYT-2143102
3	XY135 端子	QJ/XYT-2143103
4	XY135 塑件	QJ/XYT-2143104



300V 21A 20-6AWG 10.0mm²
 Poles: 2P, 3P-24P
 Pitch: 10.16mm (.400")

Materials
 Housing: PA66 (UL 94V-0)
 Solder Pin: Brass, Tin Plated
 Screw: M4.5, Steel (A3), Zinc Plated
 Torque: 1.2N.m

设计/Designed by	绘图/Drawing by	审核/Checked by	批准/Approved by	未注公差 General Tolerance
----------------	---------------	---------------	----------------	---------------------------

新莱亚电子
 XINLAIYA ELECTRONIC CO., LTD

RevNo: /revision note
 Signature /date

图名/Title	文件编号/File No.	页序/Sheet	单位/Unit: mm
XY135 产品图	QJ/XYT-2243100		