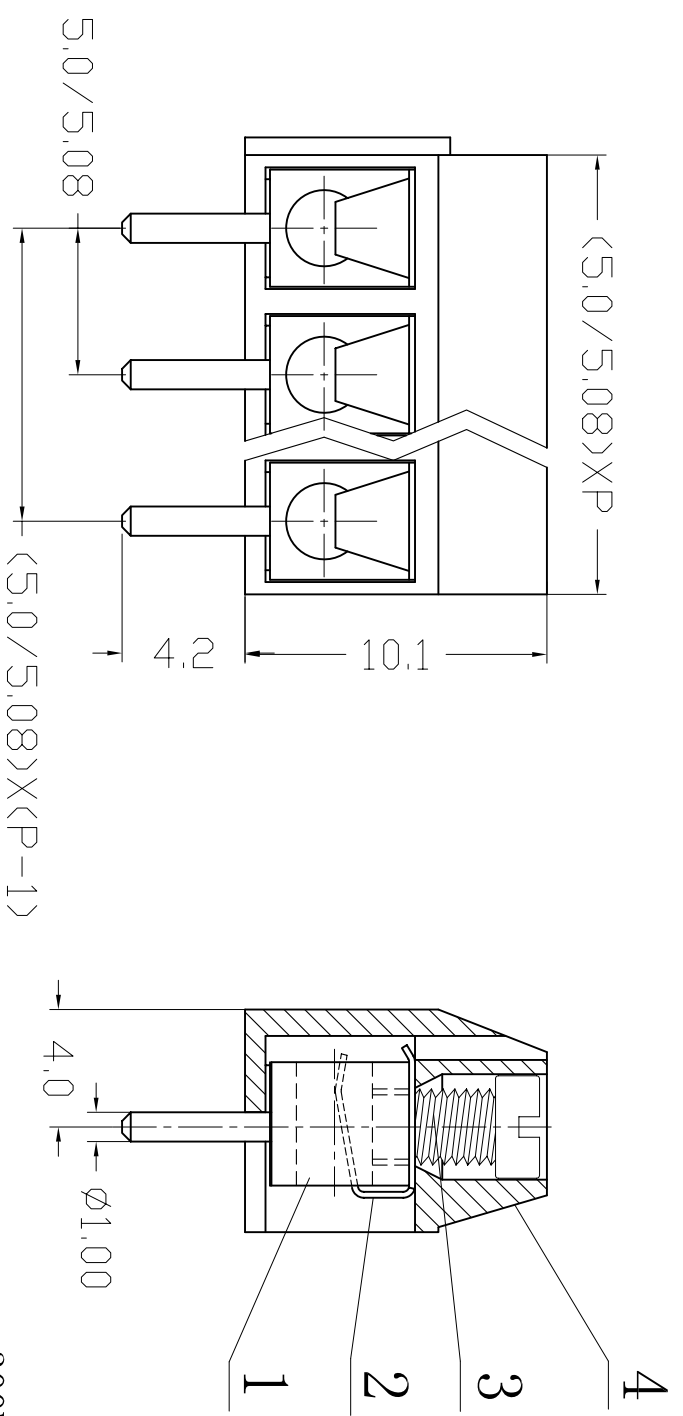


序号/Rev.No.	名称/Title	文件编号/File No.
1	XY301V 端子	QJ/XYT-2127103
2	XY301 簧片	QJ/XYT-2225101
3	XY301 螺丝	QJ/XYT-2125104
4	XY301V 塑件	QJ/XYT-2225102



300V 15A 22-14AWG 1.5mm<sup>2</sup>  
Poles: 2P&3P-24P  
Pitch: 5.0mm (.197")/5.08mm (.200")

Materials

Housing: PBT (UL 94V-0)  
Wire Protector: Stainless Steel  
Solder Pin: Brass, Tin Plated  
Screw: M2.5, Steel (A3), Zinc Plated  
Torque: 0.4N.m

设计/Designed by	绘图/Drawing by	审核/Checked by	批准/Approved by	备注/Remarks	
图名/Title		文件编号/File No.		单位/Units	
XY301V-A		QJ/XYT-2225100		mm	
产品图		QJ/XYT-2225200			
		页序/Sheet			

序号/Rev.No.	更改记录/Revision note	签名/Signature	日期/Date



新莱亚电子  
XINLAIYA ELECTRONIC CO., LTD