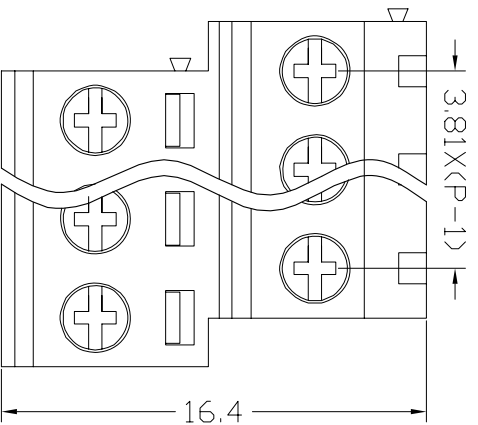
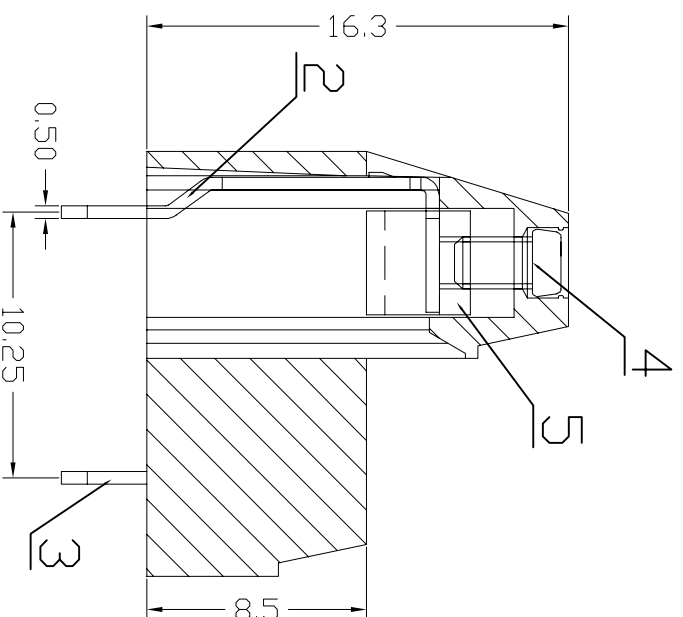
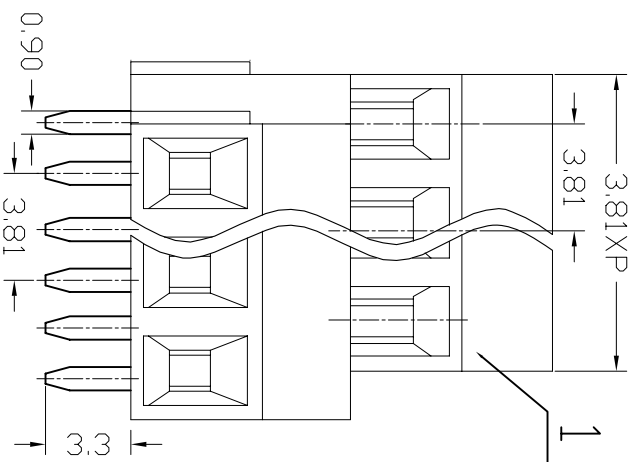


序号/RevNo.	名称/Title	文件编号/File No.
1	XYEK381铜件 &XYEK381端子	QJ/XYT-2154101
2	XYEK381端子	QJ/XYT-2154102
3	XYEK381端子	QJ/XYT-2154103
4	XYEK381螺丝	QJ/XYT-2154104
5	XYEK381铜方块	QJ/XYT-2154105



300V 12A 26-16AWG 1.0mm²
Poles: 4P-32P
Pitch: 3.81mm (.150")

Materials

Housing: PA66 (UL 94V-0)
Solder Pin: Brass, Tin Plated
Wire Cage: Brass, Tin Plated
Screw: M2, Steel (A3), Zinc Plated
Torque: 0.2N·m

设计/Designed by: 绘图/Drawing by: 审核/Checked by: 批准/Approved by: 未注公差/General Tolerance:

图名/Title	文件编号/File No.	X	X ^o
XYEK381&BEK381	QJ/XYT-2254100	±0.2	±0 ^o
产品图	页序/Sheet	±0.1	±0 ^o
		±0.05	±0.5 ^o
		±0.01	

单位/units: mm

序号/RevNo. 更改记录/revision note 签名/Signature 日期/Date

新莱亚电子
XINLAIYA ELECTRONIC CO., LTD