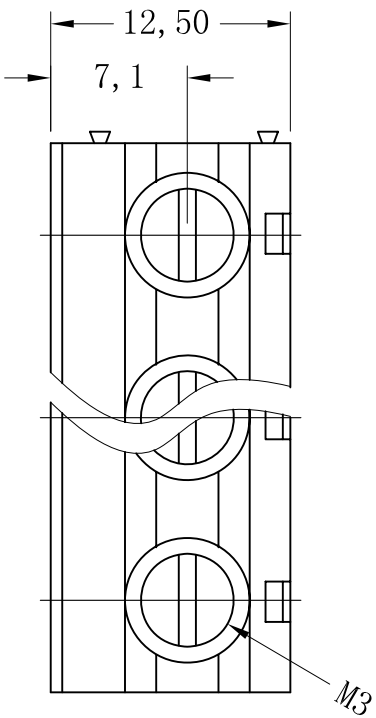
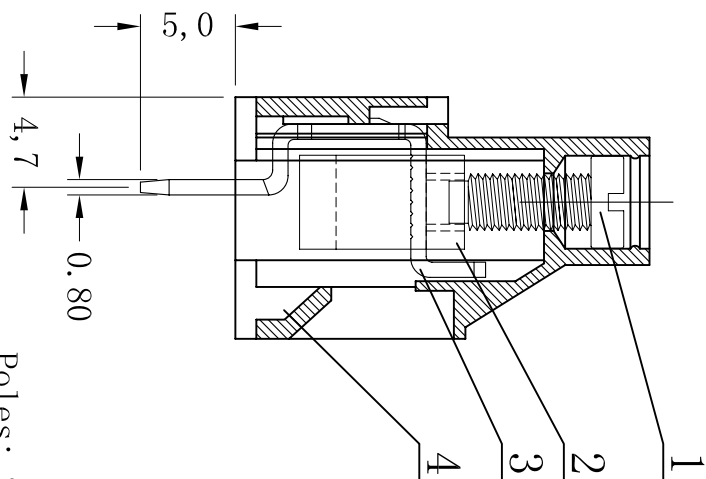
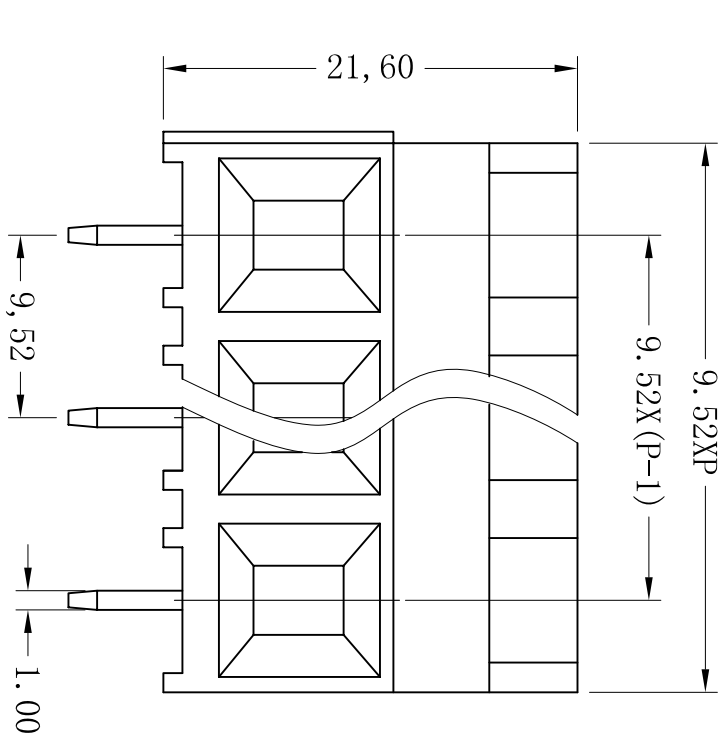


| 序号/Rev.No. | 名称/Title     | 文件编号/File No. |
|------------|--------------|---------------|
| 1          | YV636螺丝      |               |
| 2          | YV636方针      |               |
| 3          | YV636端子      |               |
| 4          | YV636-9-25零件 |               |



Poles: 2P&3P-24P  
 Pitch: 9.52mm  
 Voltage Rating: 300V  
 Current Rating: 30A  
 Wire range: 26-10AWG 4.0mm<sup>2</sup>  
 Housing: PA66 (UL 94V-0)  
 Wire Cage: Brass, Nickel Plated  
 Solder Pin: Brass, Tin Plated  
 Screw: M3.0, Steel (A3), Zinc Plated  
 Torque: 0.5N.m

设计/Designed by: 绘图/Drawing by: 审核/Checked by: 批准/Approved by: 未注公差/General Tolerance:

|            |                |            |            |
|------------|----------------|------------|------------|
| 图名/Title   | 文件编号/File No.  | X .° ±0.2  | X .° ±0.2  |
| YV636-9.52 | QJ/YVT-2252300 | .XX ±0.1   | .X° ±0.1   |
| 页序/Sheet   |                | .XXX ±0.05 | .XX° ±0.5° |
|            |                | .XXX ±0.01 |            |