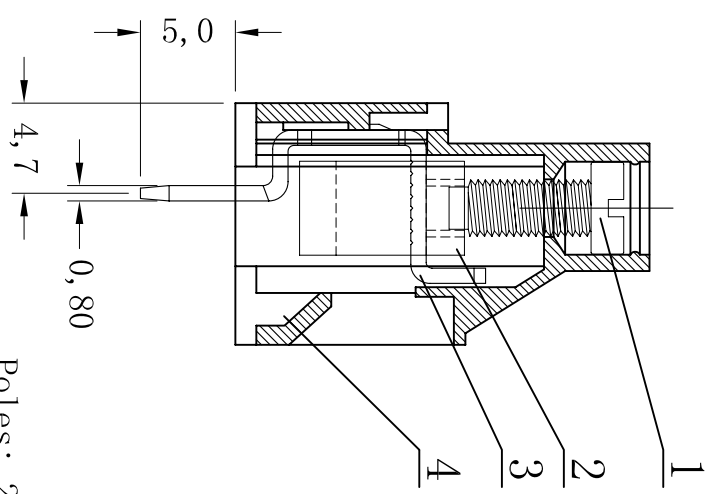
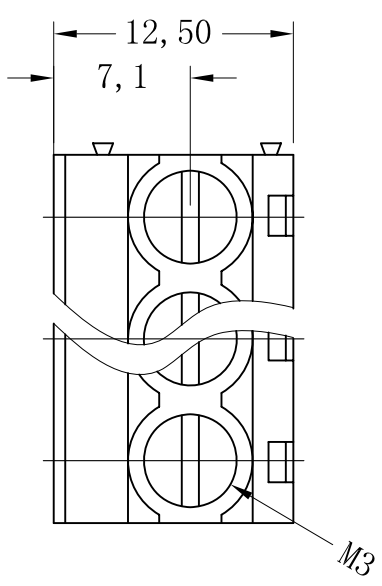
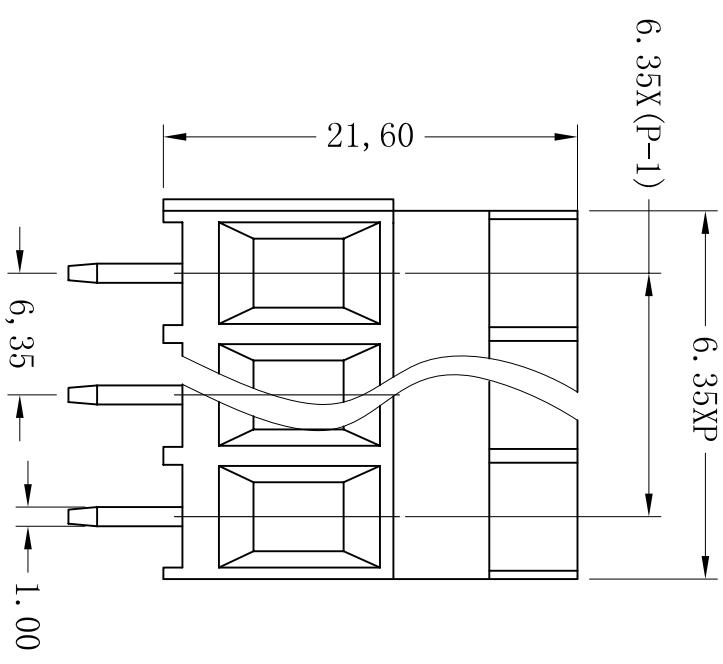


序号/Rev.No.	名称/Title	文件编号/File No.
1	XY363螺丝	
2	XY636方针	
3	XY363端子	
4	XY636-6.35塑件	



Poles: 2P&3P-24P
 Pitch: 6.35mm
 Voltage Rating: 300V
 Current Rating: 30A
 Wire range: 26-10AWG 4.0mm²
 Housing: PA66 (UL 94V-0)
 Wire Cage: Brassl, Nickel Plated
 Solder Pin: Brass, Tin Plated
 Screw: M3.0, Steel (A3), Zinc Plated
 Torque: 0.5N.m

设计/Designed by	绘图/Drawing by	审核/Checked by	批准/Approved by	未注公差 General Tolerance	
				X ±0.2	X ° ±0°
				.X ±0.1	.X ° ±1°
				.XX ±0.05	.XX ° ±0.5°
				.XXX ±0.01	.XXX ° ±0.01°
图名/Title XY636-6.35				文件编号/File No. QJ/XYT-2252100	
页序/Sheet 1				单位/Unit: mm	
备注/Remark					
新莱亚电子 XINLAIYA ELECTRONIC CO., LTD					
更改记录/Revision note		签名/Signature		日期/Date	
序号/Rev.No.					