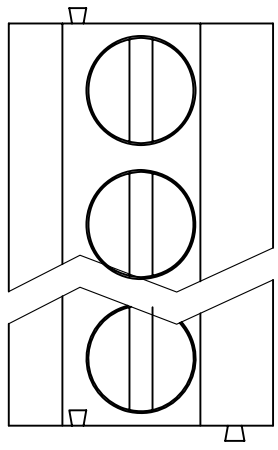
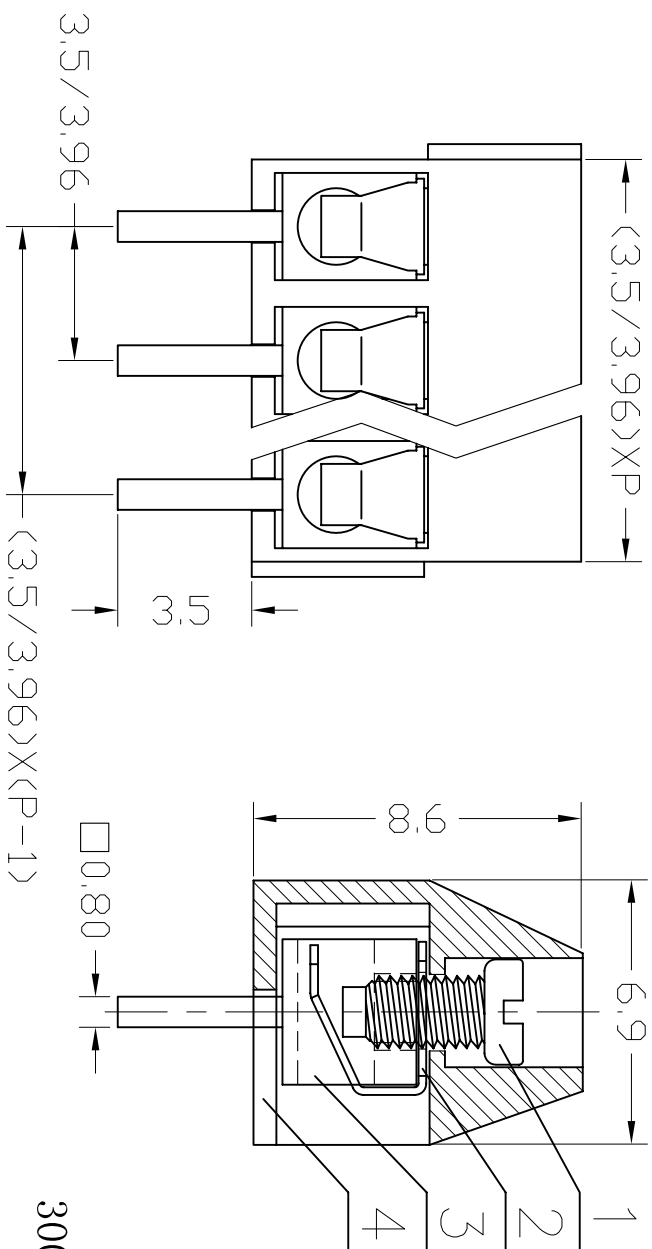


序号/Rev.No.	名称/Title	文件编号/File No.
1	XY350螺丝(一字) 通用302一字螺丝	QJ/XYT-2130101
2	XY350 簧片	QJ/XYT-2130102
3	XY350V 端子	QJ/XYT-2130103
4	XY350V 塑件3.5	QJ/XYT-2130104



300V 7A 24-18AWG 1.0mm²
 Poles: 2P&3P-24P
 Pitch: 3.5mm (.138")/3.96mm (.156")
 Materials
 Housing: PA66 (UL 94V-0)
 Wire Protector: Stainless steel
 Solder Pin: Brass, Tin Plated
 Screw: M2, Steel (A3), Zinc Plated
 Torque: 0.2N.m

设计/Designed by	绘图/Drawing by	审核/Checked by	批准/Approved by	未注公差 General Tolerance
				X ±0.2 X ^o ±0.1 XX ±0.05 XXX ±0.01

图名/Title	文件编号/File No.	X ^o	X ^o	X ^o
XY350V 产品图	QJ/XYT-2230100 QJ/XYT-2230200	±0.1	±0.05	±0.5

序号/Rev.No.	更改记录/Revision note	签名/Signature	日期/Date

新莱亚电子
XINYA ELECTRONIC CO., LTD

备注/Remark