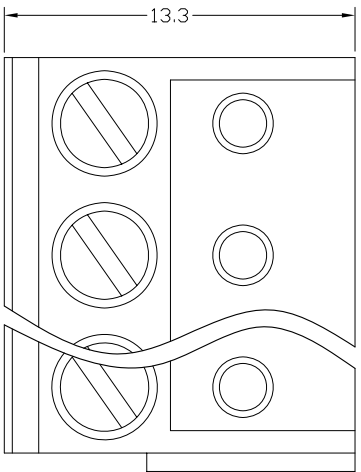
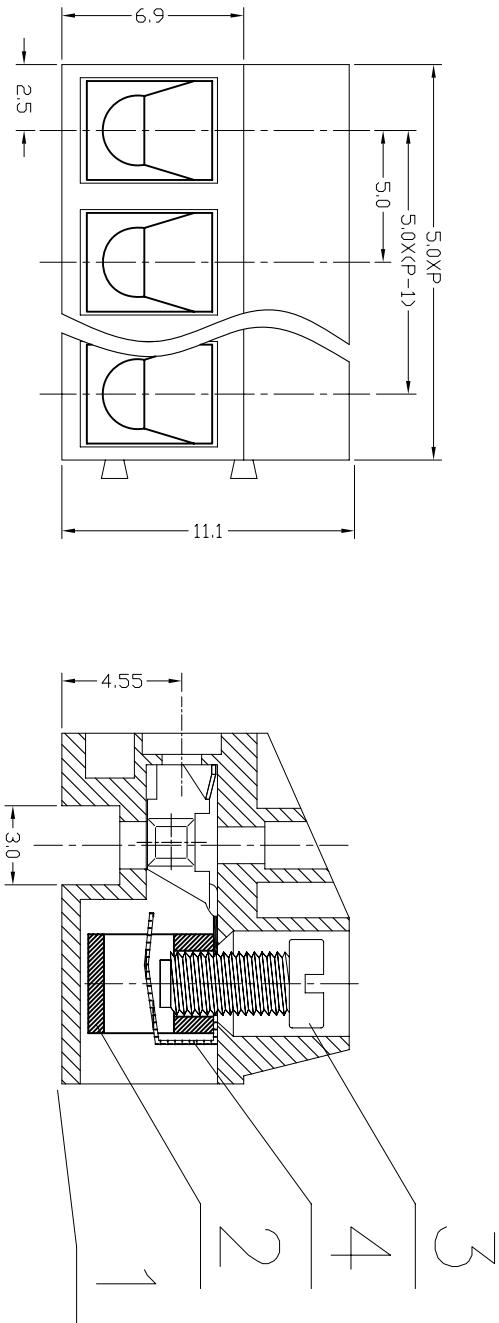


序号/Rev.No.	名称/Title	文件编号/File No.
1	XY332塑件	QJ/XYT-2132101
2	XY332铜方块	QJ/XYT-2132102
3	XY332螺丝	QJ/XYT-2132103
4	XY332簧片	QJ/XYT-2132104



300V 10A 28-16AWG 1.5mm²
Poles: 2P&3P-24P
Pitch: 5.0mm(.197")

Materials
Housing: PBT(UL 94V-0)
Clamp: Phosphor Bronze
Wire Cage: Brass, Nickel Plated
Screw: M2.6, Steel(A3), Zinc Plated
Torque: 0.4N.m

设计/Designed by	绘图/Drawing by	审核/Checked by	批准/Approved by	未注公差 General Tolerance	
				X .2 ±0.2	X .° ±0°
				.X ±0.1	.X° ±1°
				.XX ±0.05	.XX° ±0.5°
				.XXX ±0.01	.XXX° ±0.5°



新莱亚电子
XINLADYA ELECTRONIC CO., LTD

序号/Rev.No.

更改记录/Revision note

签名/Signature

日期/Date

备注/Remark

单位/Unit: mm