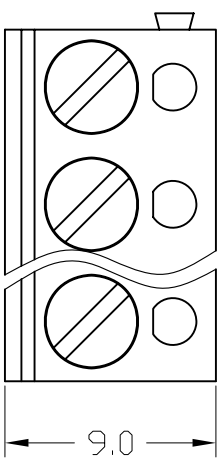
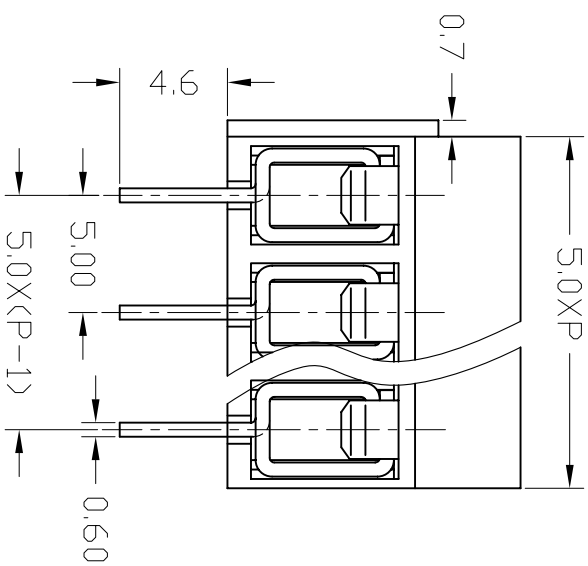
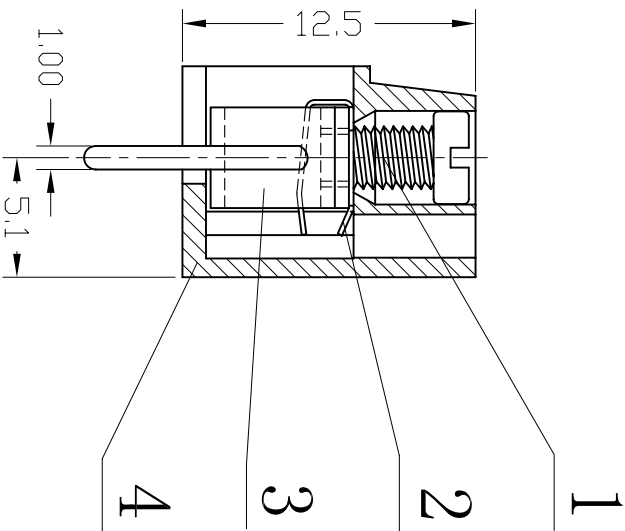


序号/Rev.No.	名称/Title	文件编号/Title No.
1	XY305螺丝	QJ/XYT-2126103
2	XY305簧片	QJ/XYT-2126102
3	XY305端子	QJ/XYT-2126101
4	XY305A塑件	QJ/XYT-2126106



300V 15A 22-14AWG 2.5mm²

Poles: 2P&3P-24P

Pitch: 5.0mm(.197")

Materials

Housing: PBT(UL 94V-0)

Wire Protector: Stainless steel

Solder Pin: Brass, Tin Plated

Screw: M2.5,Steel(A3),Zinc Plated

Torque: 0.4N.m

序号/Rev.No. 更改记录/Revision note 签名/Signature 日期/Date

设计/Designed by	绘图/Drawing by	审核/Checked by	批准/Approved by	未注公差 General Tolerance	
				X, .X, .XX, .XXX	X°, X°, .X°, .XX°, .XXX°
图名/Title		文件编号/Title No.		±0.2	
XY305A-5.0		QJ/XYT-2226100		±0.1	
产品图		页序/Sheet		±0.05	
备注/Remark				±0.01	
				单位/Units: mm	

新莱亚电子
XINLAIYA ELECTRONIC CO., LTD