

300V 10A 28-12AWG 2.5mm<sup>2</sup>

Poles: 2\*(1P-XXP)

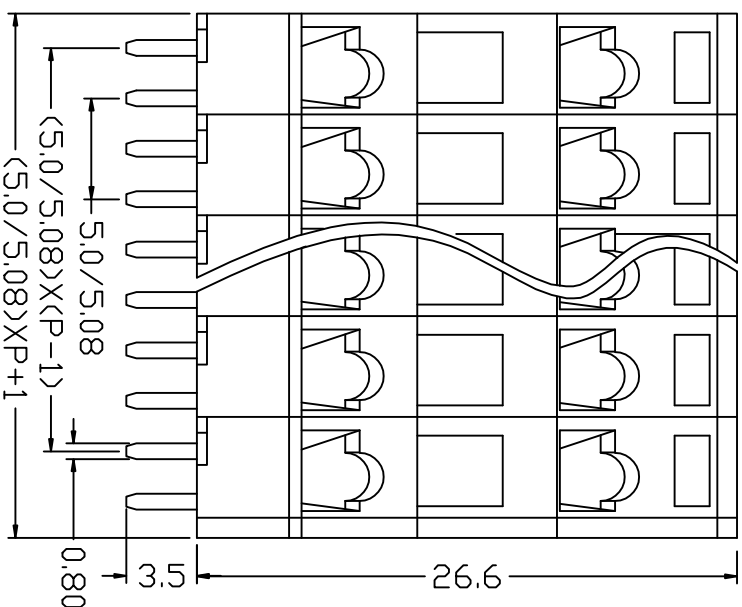
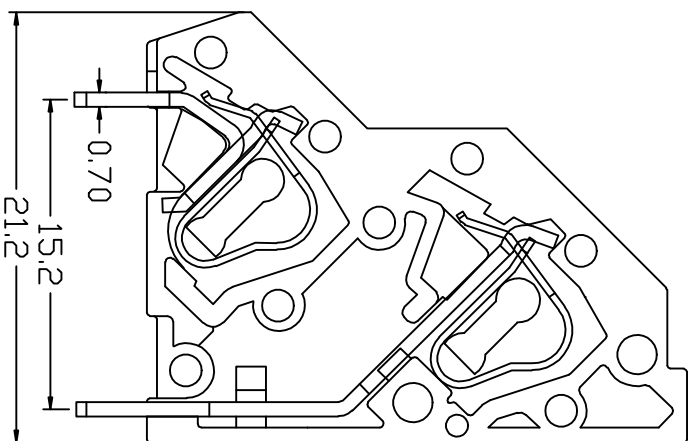
Pitch: 5.0mm (.197")/5.08mm (.200")

Materials

Housing: PA66 (UL 94V-0)

Solder Pin: Brass, Tin Plated

Clamping: Stainless steel



序号/Serial No. 更改记录/Revision note

签名/Signature

日期/Date

设计/Designed by 绘图/Drawing by 审核/Checked by 批准/Approved by

图名/File name

文件编号/File No.

页序/Sheet

备注/Remark

公差/General Tolerance

x. ±0.2 x.° ±2°

.x ±0.1 .x° ±1°

.xxx ±0.05 .xx° ±0.5°

.xxx ±0.01

单位/Unit to: mm

