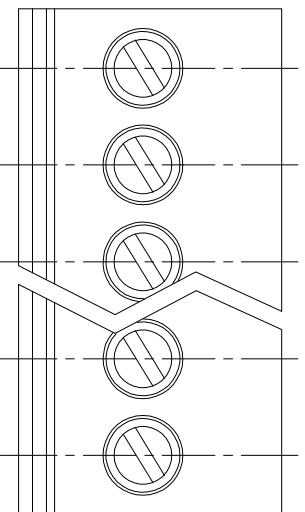


300V 8A 28-16AWG 1.5mm²
 Poles: 2P-24P
 Pitch: 3.5mm(.138")/3.81mm(.150")

Materials

Housing: PA66(UL 94V-0)
 Clamp: Phosphor Bronze,Nickel Plated.
 Wire Cage: Brass,Nickel Plated.
 Screw: M2,Steel(A3),Zinc Plated.



设计/Designed by		绘图/Drawing by		审核/checked by		批准/Approved by		备注公差 General Tolerance	
								X. ±0.2	X.° ±2°
图名/Title		文件编号/File No.						.X ±0.1	.X° ±1°
XY2500FE-3.5				页序/Sheet				.XX ±0.05	.XX° ±0.5°
XY2500FE-3.81								.XXX ±0.01	
备注/Remark								单位/units: mm	



新莱亚电子科技

XINLAITA ELECTRONIC CO., LTD