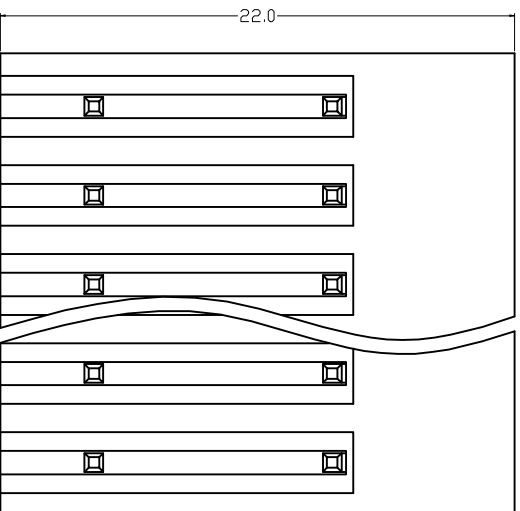
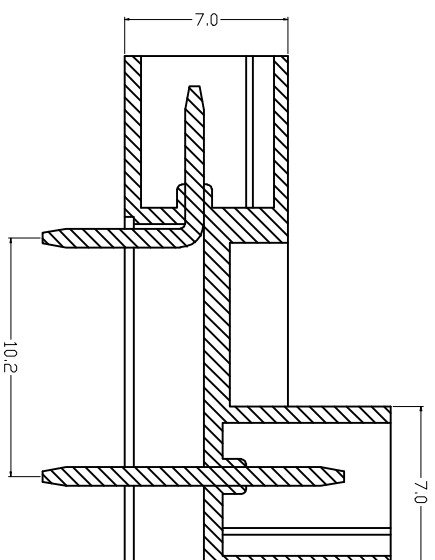
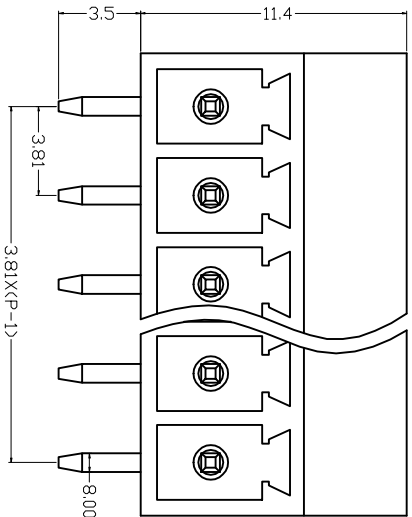


序号/Revno. 名称/Title 文件编号/File No.



**300V 8A**

**Poles: 2\*(2-20P)**

**Pitch: 3.81mm(.150")**

**Material S**

**Housing: PA66(UL 94V-0)**

**Solder Pin: Brass, Tin Plated.**

设计/Designed by 绘图/Drawing by 审核/Checked by 批准/Approved by

图名/File name 文件编号/File No.

XY2500VR-3.81

备注/Remark 页序/Sheet 单位/Units: MM

序号/RevNo. 更改记录/Revision note 签名/Signature 日期/Date



新莱亚电子科技

XINLAIYA ELECTRONIC CO., LTD

公差 General Tolerance

X. ±0.2 X.° ±2°  
.X ±0.1 .X° ±1°  
.XX ±0.05 .XX° ±0.5°  
.XXX ±0.01