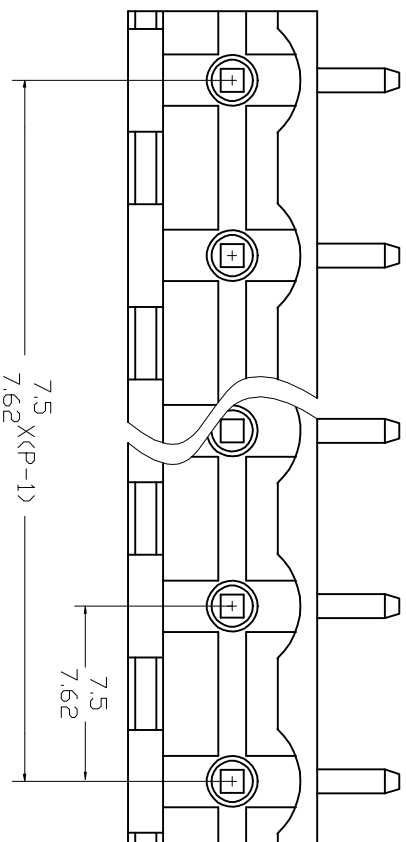
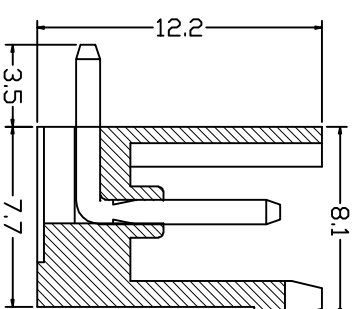
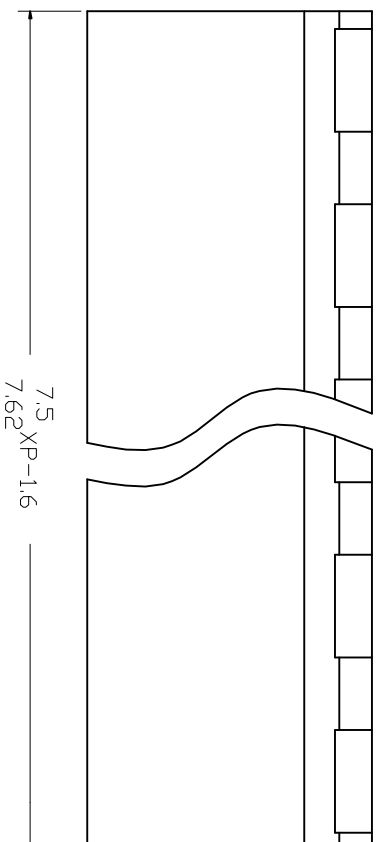


序号/RevNo.

名称/Title

文件编号/File No.



300V 15A

Poles: 2-12P

Pitch: 7.5mm(.295"),7.62mm(.300")

Materials

Housing: PA66

Solder Pin: Brass, Tin Plated.

序号/RevNo. 更改记录/Revision note

签名/Signature

日期/Date

设计/Designed by

绘图/Drawing by

审核/Checked by

批准/Approved by

图名/File name

文件编号/File No.

XY2500RM-7.5
XY2500RN-7.62

页序/Sheet

备注/Remark

单位/Units: MM

公差/General Tolerance

X. ±0.2	X. ±2°
.X ±0.1	.X ±1°
.XX ±0.05	.XX ±0.5°
.XXX ±0.01	



XINLIYA ELECTRONIC CO., LTD

新莱亚电子