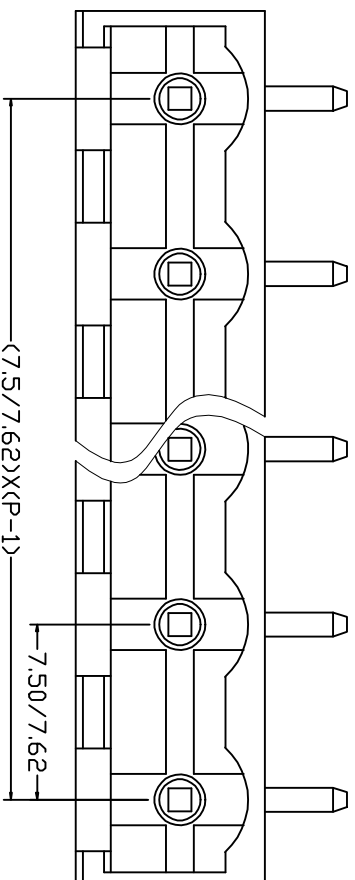
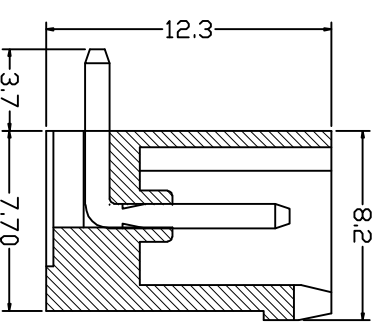
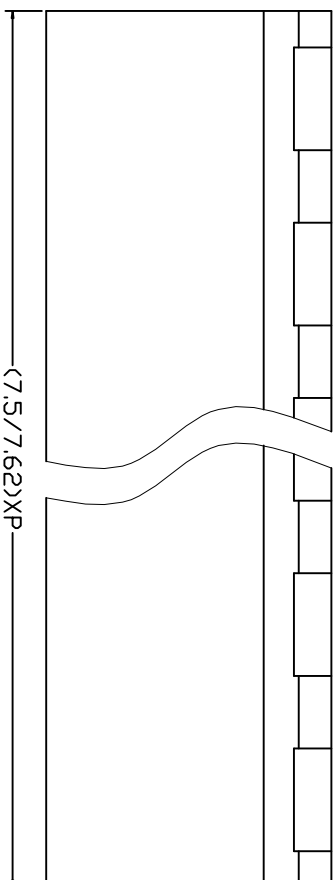


序号/RevNo.

名称/Title

文件编号/File No.



300V 15A

Poles: 2-12P

Pitch: 7.5mm(.295"),7.62mm(.300")

Materials

Housing: PA66

Solder Pin: Brass,Tin Plated.

设计/Designed by

绘图/Drawing by

审核/Checked by

批准/Approved by

公差
General Tolerance

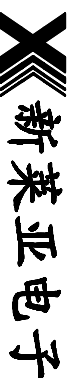
图名/File name

文件编号/File No.

XY2500RP-7.5
XY2500RQ-7.62

页序/Sheet

X. ±0.2 X.' ±2°
.X ±0.1 .X' ±1°
.XX ±0.05 .XX' ±0.5°
.XXX ±0.01



XINLIANYA ELECTRONIC CO., LTD

序号/RevNo.

更改记录/Revision note

签名/Signature

日期/Date

备注/Remark

单位/Units: MM