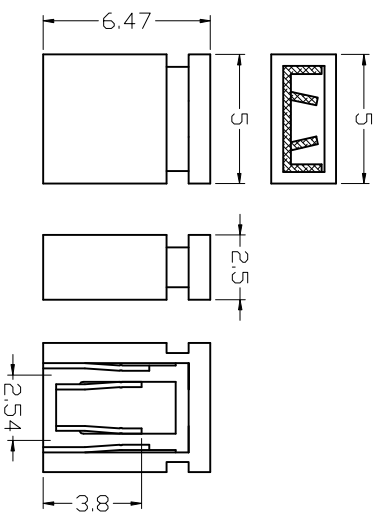
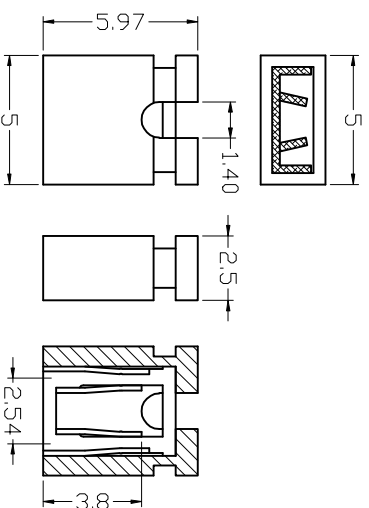


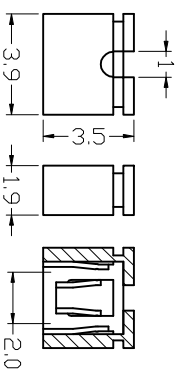
A TYPE



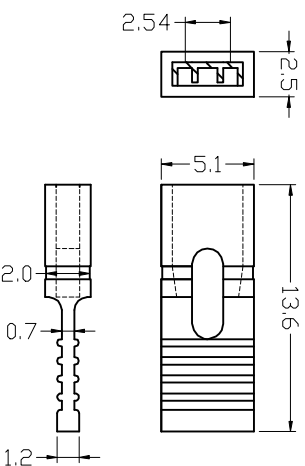
B TYPE



C TYPE



D TYPE



Specifications:

Contact Resistance: 30m Ω max.at DC 100 mA

Insulator Resistance: 1000M Ω min.at DC 500V

Current Rating: 1AMP

Dielectric Withstanding

Voltage: AC 500V For 1 minute

Operating Temperature:-55°C---+105°C

Contact: Phosphor bronze

Housing: PBT 8.30% Glass Fiber(UL 94V-0)

设计/Designed by	绘图/Drawn by	审核/Checked by	数量/Quantity	备注/Remarks				
XINLAIYA ELECTRONIC CO.,LTD	姓名/nm	文件编号/rw.m	<table border="1"> <tr> <th>规格/Spec</th> <th>数量/Qty</th> </tr> <tr> <td>116产品图</td> <td></td> </tr> </table>		规格/Spec	数量/Qty	116产品图	
	规格/Spec	数量/Qty						
116产品图								
备注/Remarks	页序/Sheet	单位/Units						