

Color Light Box T60(5)

PRODUCT FEATURES

1. Display the usage time, name, and switching times of each light source.
2. The light source is automatically switched, with the function of metamerism.
3. No need to preheat, no flicker, can ensure fast and reliable color evaluation.
4. Low energy consumption, no heat (no need for heat dissipation), high luminous efficiency.
5. More complete configuration of common light sources in British and American standards.
6. The name of the light source can be changed, it is more convenient to add a light source.



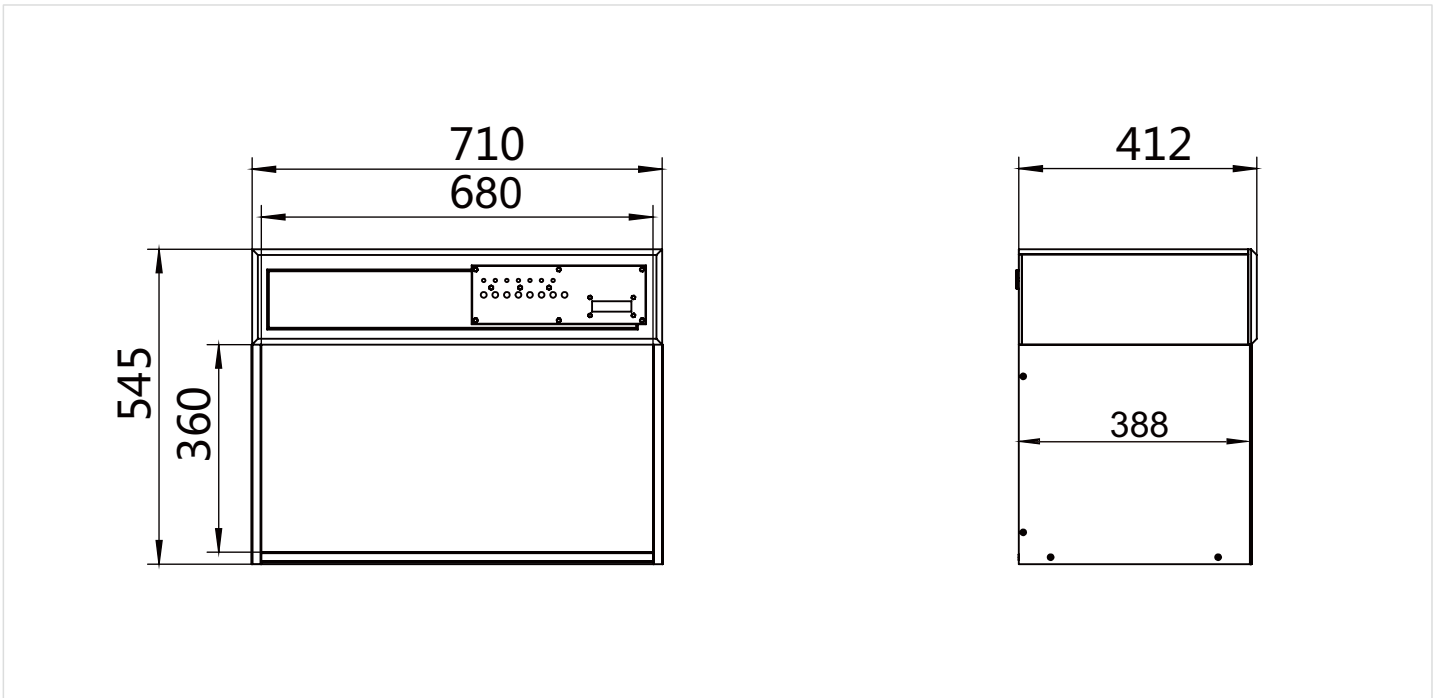
ISO9001



SIZE PARAMETERS

Internal dimensions: 710*412*545 mm (Length * Width * Height)

External dimensions: 680*388*360 mm (Length * Width * Height)



STANDARD LIGHT SOURCE LAMPS

Provide full range of standard light source tube, Lamps: F, D65, TL84, UV, CWF



3nhLightingD65lamp

Model: F20T12/656500K20W

Size: 60cm

Brand: 3nh



PHILIPSD65lamp

Model: TLD18W/965

Size: 60cm

Brand: PHILIPS



GRETAGMACBETHD65lamp

Model: F20T12/656500K

Size: 60cm

Brand: Macbeth



VeriVideD65lamp

Model: F20T12/D65

Size: 60cm

Brand: VeriVide



EcoluxU35lamp

Model: F17T8 SPX35 ECO

Size: 60cm

Brand: GE



SYLVANIAAD65lamp

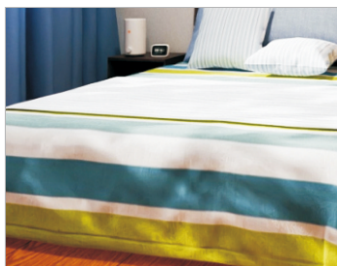
Model: F20T12/656500K20W

Size: 60cm

Brand: SYLVANIA

APPLICATION INDUSTRY

T60 (5) is widely used in textile, toys, printing and dyeing, plastic, paint, ink, printing, pigment, chemical, ceramics, footwear, leather, hardware, food, cosmetics and other industries in the field of colour management, and accurately check the colour deviation



Textil



Toy



Pigment



Paint&Ink

PRODUCT PARAMETERS

| Project | | Parameter | |
|---|-------------------|--|---|
| Allocation | | D65 , TL84 , CWF , F , UV , Five light sources | |
| Weight | | 22.25kg | |
| Optional Accessory | | 45 degree standard stand | |
| Light source | | | |
| Name | Color temperature | Quantity and power | Lamp Type |
| D65 | 6500K | 2x20W | Fluorescent Natural Daylight PHILIPS TL-D 18W/965 |
| TL84 | 4000K | 2x18W | Fluorescent PHILIPS TLD 18W/840 |
| CWF | 4150K | 2x18W | Fluorescent PHILIPS TL-D 18W/33 COOL WHITE |
| UV | 365nm | 1x18W | Fluorescent PHILIPS 18W / BLB BLACK LIGHT |
| F | 2700K | 4x40W | Incandescent Mac color Lighting 40W 230v |
| Light source description | | | |
| D65 International standard Artificial Daylight | | | |
| TL84 Applied to stores in Europe, Japan and China | | | |
| UV Viewing under ultraviolet light to detect and evaluate optical brighteners or fluorescent pigments | | | |
| CWF (Cool White Fluorescent) American Standard | | | |
| F "Sun-setting Light Yellow" incandescent light source(imitation of sunset) | | | |