

Standard Color Light Box T60(4)



PRODUCT FEATURES

1. Display the usage time and total time of each light source.
2. The light source is automatically switched, with the function of metamerism.
3. No need to preheat, no flicker, can ensure fast and reliable color evaluation.
4. Low energy consumption, no heat (no need for heat dissipation), high luminous efficiency.
5. Small size, easy to use, low price.

TILO color light box, adding ultraviolet light wave part has a detection effect close to natural daylight. It can be used independently or together with other light sources to detect fluorescent brighteners on products, dyes and coatings more effectively. It also has the advantage of multi-light source switching, which can easily detect whether there is metamerism between samples (this phenomenon means that the color of the sample matches under a certain light source, but it does not match when switched to another light source).

PRODUCT PARAMETERS

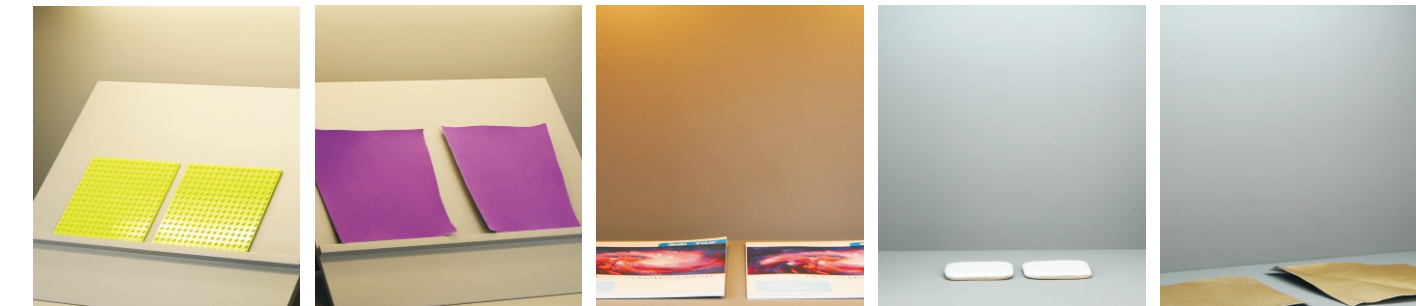
Project	Parameter
Allocation	D65 , TL84 , F , UV , Four light sources
Weight	27kg
Optional Accessory	45 degree standard stand

Light source			
Name	Color temperature	Quantity and power	Lamp Type
D65	6500K	2x20W	Fluorescent Mac Color D65 6500K F20T12/D65
TL84	4000K	2x18W	Fluorescent PHILIPS TLD 18W/840
UV	365nm	1x18W	Fluorescent PHILIPS 18W / BLB
F	2700K	4x40W	Incandescent Mac color Lighting 40W 230v

Light source description
D65 International standard Artificial Daylight
TL84 Applied to stores in Europe, Japan and China
UV Viewing under ultraviolet light to detect and evaluate optical brighteners or fluorescent pigments
F "Sun-setting Light Yellow" incandescent light source(imitation of sunset)

APPLICATION INDUSTRY

The scope of application of T60 (4) four-light source standard light source box: textile, toys, printing and dyeing, plastics, paint, ink, printing, pigments, chemical ceramics, footwear, leather, hardware, food, cosmetics and other color management fields, It is used to accurately check the color deviation of the goods.



Plastic

Textile

Print

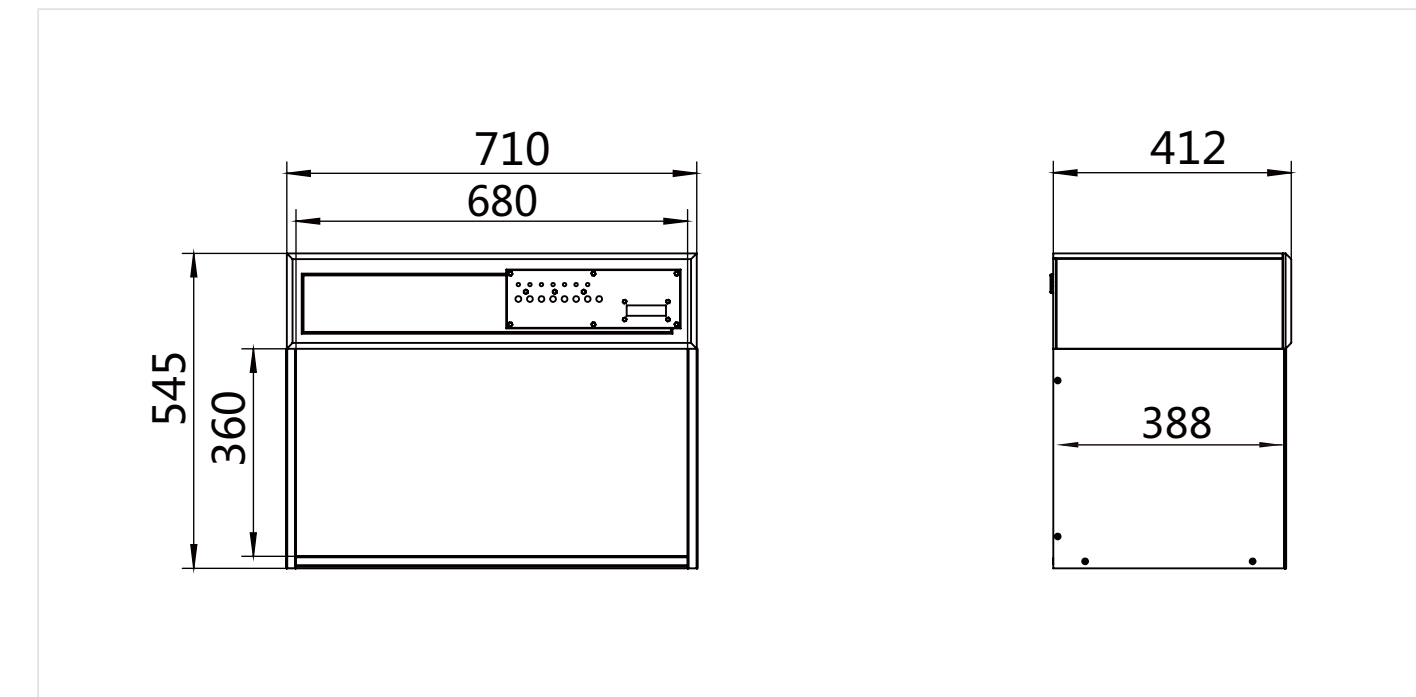
Ceramics

leather

PRODUCT SIZE

Internal dimensions: 710*412*545 mm(Length * Width * Height)

External dimensions: 680*388*360 mm(Length * Width * Height)



ISO9001

