

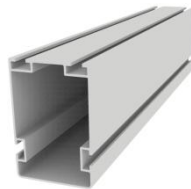
Waterproof Carport Structure System



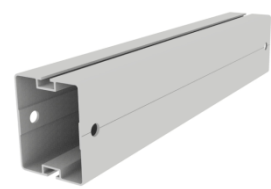
Component List



Carport Structure Rail



Main Beam



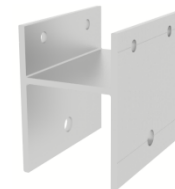
Carport Structure Pole



Bottom Base



H Beam Connector 1#



H Beam Connector 2#

Features

Carport Structure Mount System adopts high strength Aluminum 6005-T5 material, some components are pre-assembled in factory, so that to reduce the labor cost and installation time on site.

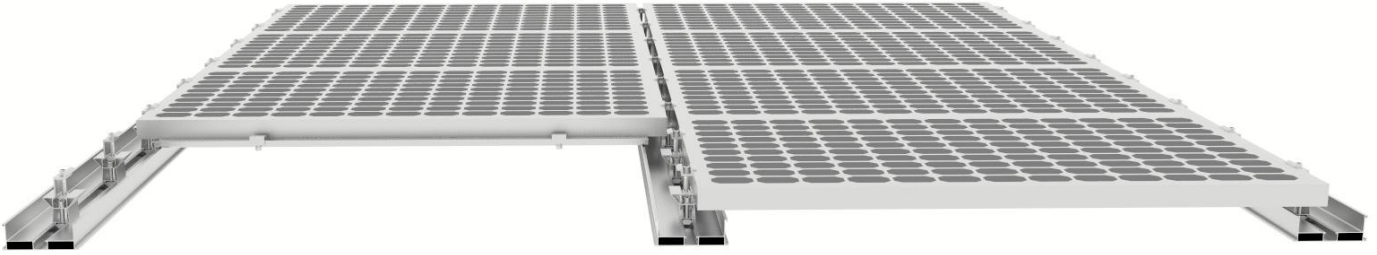
Benefits

- ★ Excellent waterproof performance
- ★ High anti-corrosion
- ★ Building on parking lot, saving land resources
- ★ Make customized as request.

Technical Information

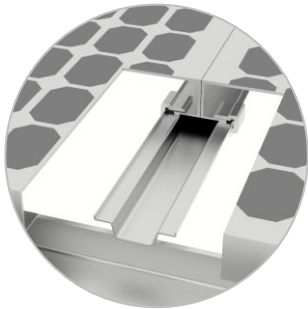
Tilt Angle	5° ~ 60°
Max Wind Speed	55 m/s
Max Snow Load	1.4KN/m ²
Material	Aluminum 6005-T5
Warranty	12 years quality warranty

Waterproof Carport Structure System

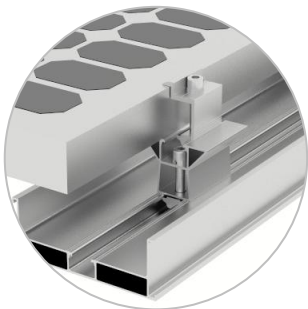


Details of structural waterproofing:

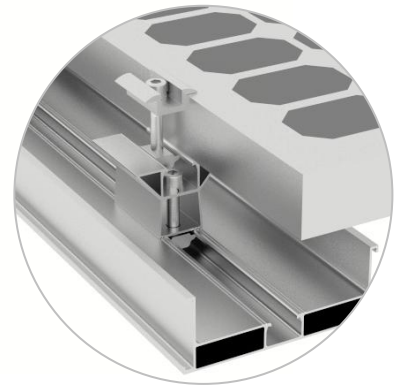
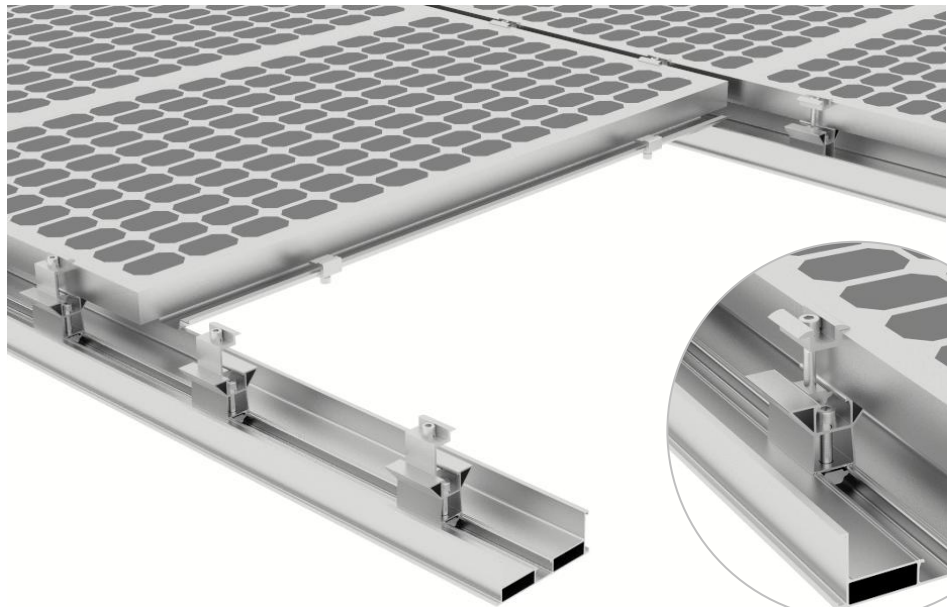
By increasing the Horizontal and Vertical Waterproof Structure, the waterproof design is carried out from the structure, which avoids the risk of leakage caused by the aging of rubber strips in the market, and truly achieves the waterproof effect of more than 25 years.



Fixed diagram of horizontal Waterproof Structure



Fixed diagram of End Clamp



Fixed diagram of Mid Clamp

Component List



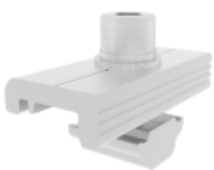
Vertical Waterproof Structure



Horizontal Waterproof Structure



Solar Panel Fastener Kit



Vertical Waterproof Clamp Kit



Horizontal Waterproof Clamp



End Clamp



Mid Clamp