

Technical Information	
Tilt Angle	5° ~ 60°
Max Wind Speed	42 m/s
Max Snow Load	1.5KN/m ²
Material	Galvanized Steel Q235 & Aluminum 6005-T5
Warranty	12 years quality warranty

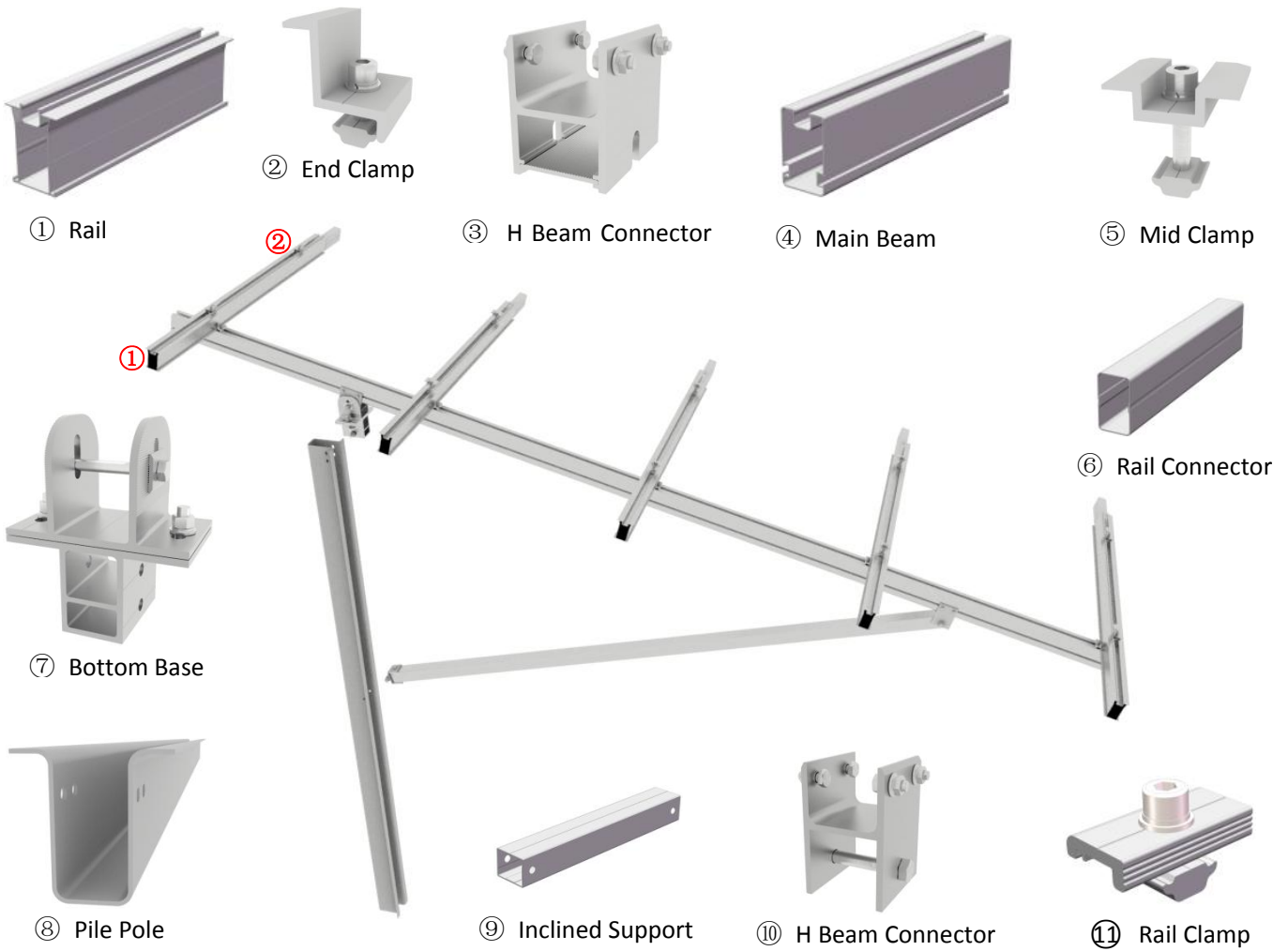
Features

1. Suitable for different regions, such as low-cost concretes and high wind and heavy snow regions.
2. Ground screw foundation and concrete foundation can be acceptable
3. Parts have been high pre-assembly on factory to save your installation time
4. Simple and fast installation
5. High quality galvanized steel material

Pile Ground Mount System



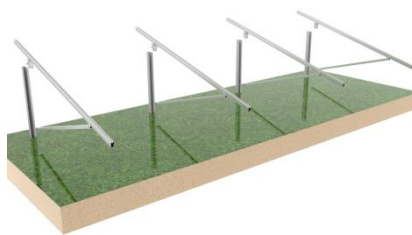
System Overview



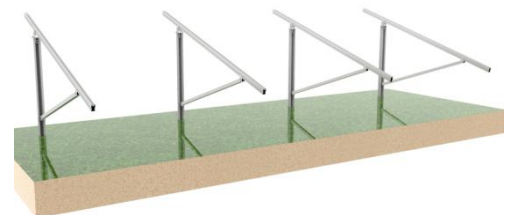
Installation Guide



① Pile Pole Installation



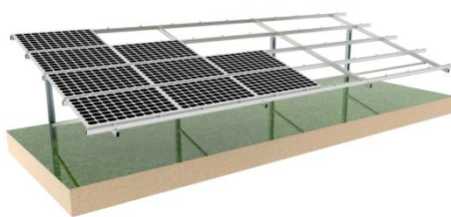
② Pre-assembled Mounting Parts Installation



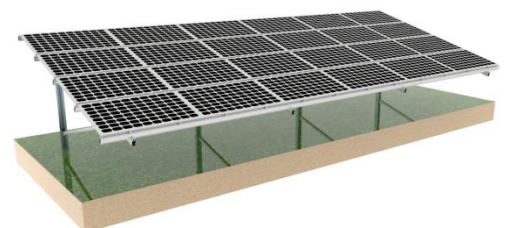
③ Finish the pre-assembled installation



④ Grounding Rail installation



⑤ Put the panel on that, use mid clamp and end clamp to fix them.



⑥ Finished