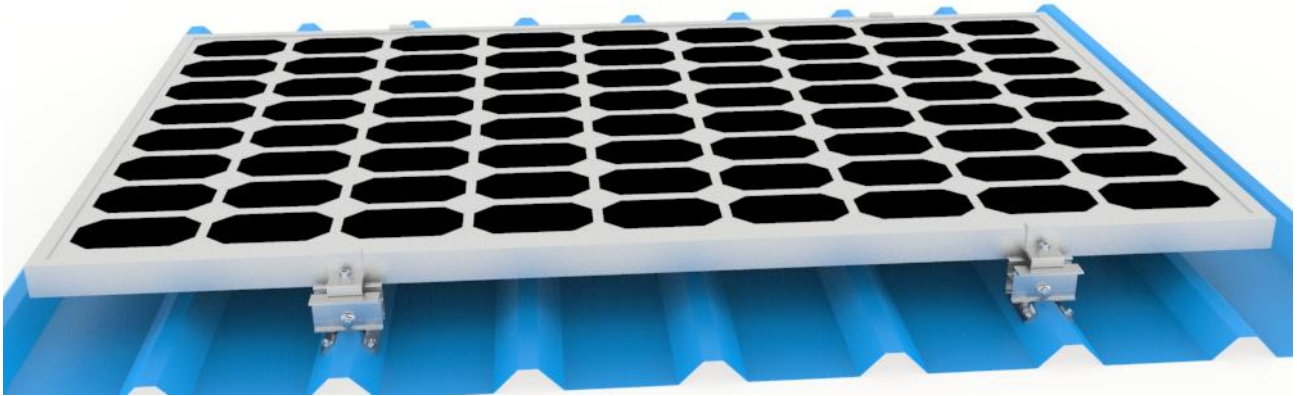
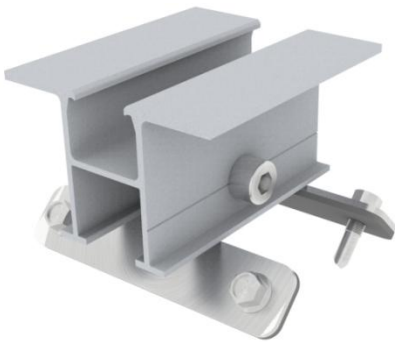


Universal Metal Roof Clamp

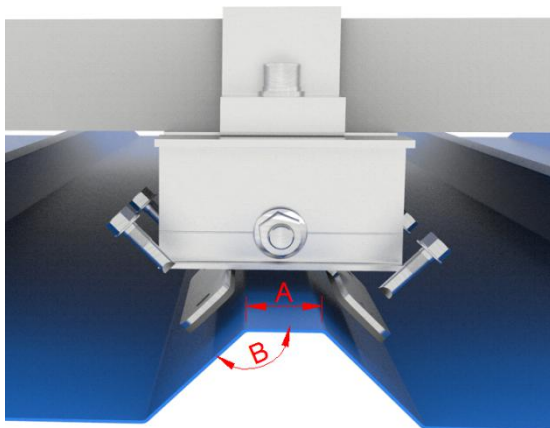
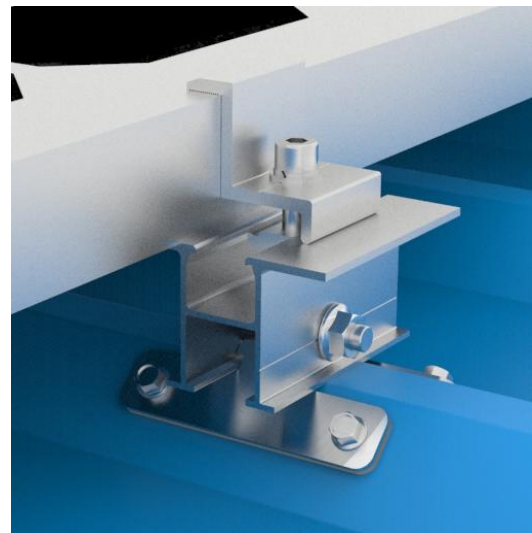


Universal Roof Clamp can work with all kinds of trapezoidal metal roof. It is a rail-less solution, it will help you save some cost and labor cost. Use anti-aging EPDM rubber to improve.

the waterproof performance. The material of this product is made by aluminum alloy (AL 6005-T5) and stainless steel 304 (SUS 304), which has strong corrosion resistance.



MG-UM-RC
Universal Roof Clamp



Metal Roof Sheet Specification

	Min.	Max.
A	20 mm	60 mm
B	90 degree	140 degree