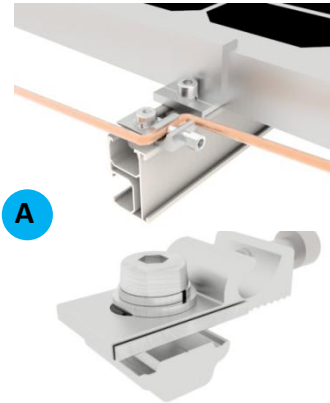
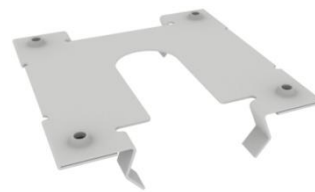
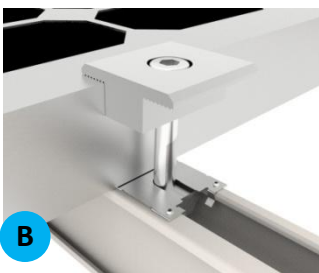
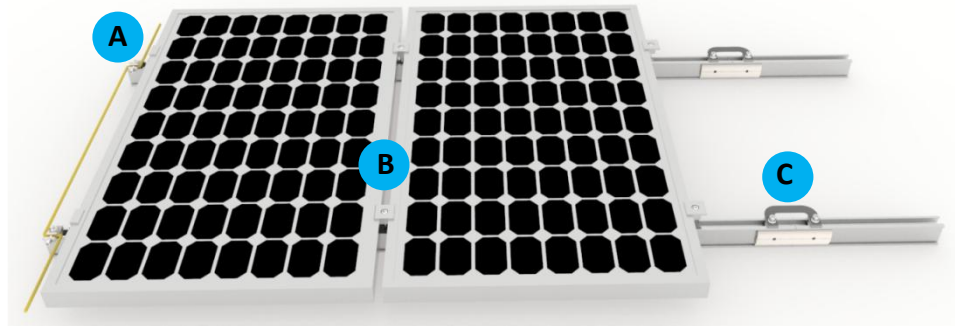


Grounding Accessories

Grounding products can be used to bond solar modules to the aluminum rails and the aluminum rails to ground, so that the entire solar system is grounded and safe; Grounding products include the stainless steel grounding clip, grounding lug and braided copper wire, which are all designed to comply with the requirement of AS5033, UL467 for bonding or grounding systems.



MG-GS-RGL Rail Ground Lug



MG-GS-GC-01 Grounding Clip

Grounding Clip will penetrate module and rail and create an electrical path through rail.



MG-GS-GC-02



MG-GS-GC-03



MG-GS-GC-04



MG-GS-GC-05



MG-GS-GC-06



Electrically connect spliced Rails

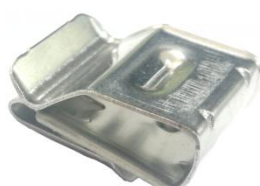


MG-GS-BCS Braided Copper Wire

Cable Clip



MG-GS-CC-01



MG-GS-CC-02



MG-GS-CC-03



MG-GS-CC-04