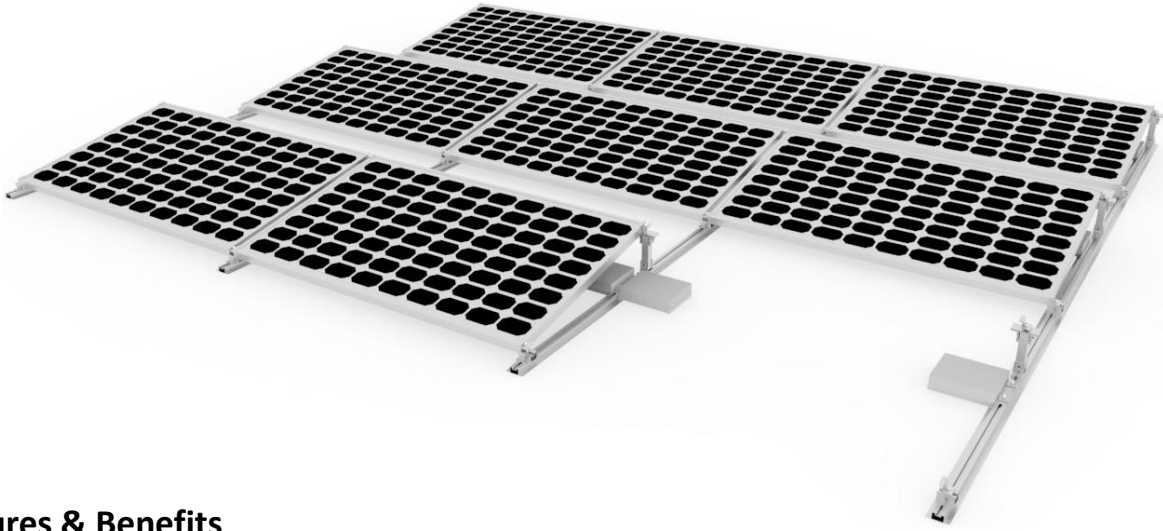


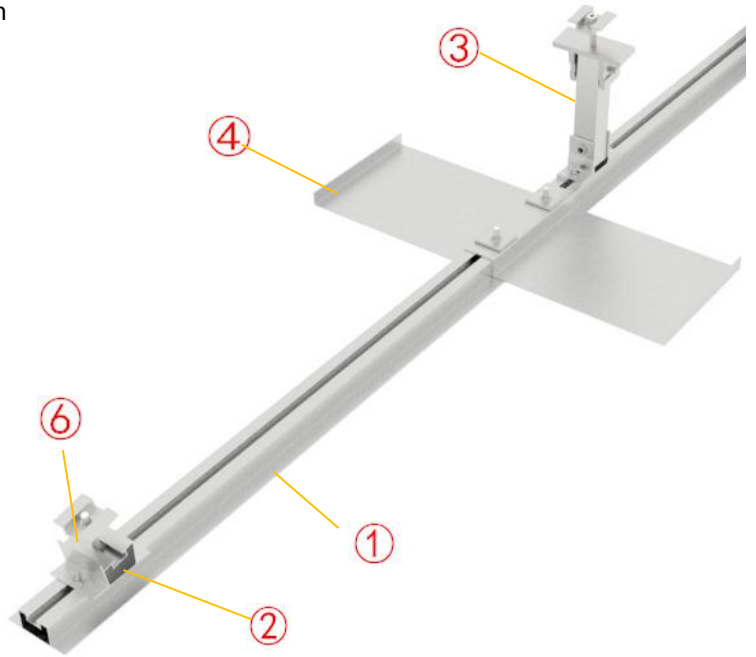
Aluminum Ballasted Flat Roof Mount



Features & Benefits

1. Pre-assembled parts for simple and fast installation
2. Non-Penetrating to rafters
3. Easily works around obstacles and uneven terrain
4. Light, sturdy material for a cost-efficient system

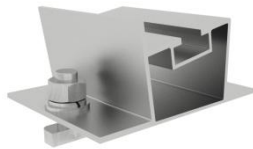
Specification	
Tilt Angle	5° 、 10° 、 15°
Max Wind Speed	42m/s
Max Snow load	1.4KN/m ²
Material	AL6005-T5 & SUS304



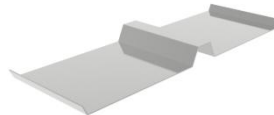
Components List



① Ballast Rail



② Front Leg



④ Mid Ballast Plate



③ Back Leg



⑤ End Ballast Plate



⑥ Mid Clamp



⑦ End Clamp