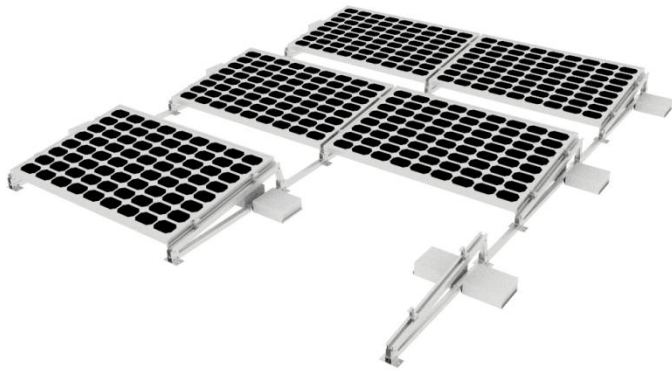


Flat Roof Mount System



Introduction

Flat Roof Mount System II is suitable for flat roof and tilt roof. Fixed angle and adjustable angle are both acceptable, you can choose one way to install, it will improve the applicability. This system will not damage the roof waterproof structure. Products are fully used aluminum alloy AL6005-T5 and stainless steel 304, it makes products has strongly corrosion resistance. The components are pre-assembled in factory, it makes installation easy and quick to save your cost and time.

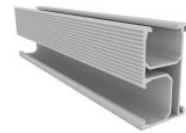
Technical Information:

- Installation Site: Flat Roof or Pitched Roof
- Max Wind Speed: <math>< 60\text{m / s}</math>
- Max Snow Load: <math>< 1.4\text{ KN / M}^2</math>
- Fixed Angle: $5^\circ \sim 60^\circ$
- Adjustable Angle : $5^\circ \sim 15^\circ$, $15^\circ \sim 30^\circ$, $30^\circ \sim 60^\circ$
- Anticorrosion: Anodized Aluminum 6005-T5 & Stainless Steel 304
- Warranties: 12 years warranties & 20 years service life

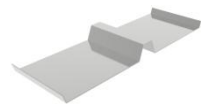
Components List



Pre-assembled Flat Roof Mount II



Roof Rail



Ballast Plate



Rail Clamp



Mid Clamp

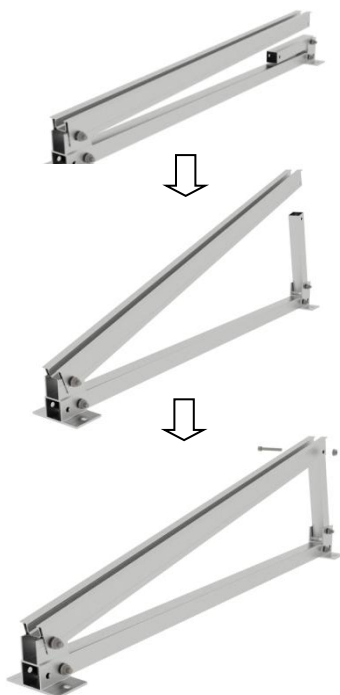


End Clamp



Rail Connector

Pre-assembled Part Installation



Foundation Type



Rail-less & Ballast Foundation



Ballast Foundation



Concrete Block Foundation