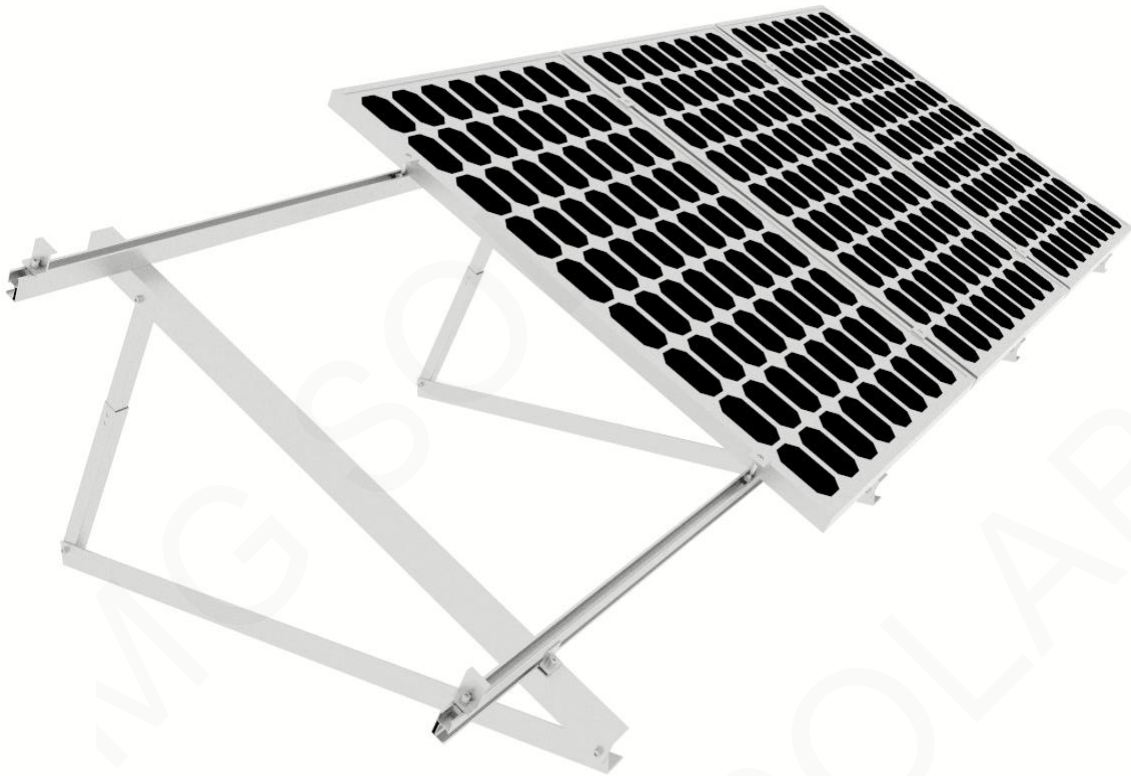








Adjustable Triangle Mount System Installation Manual

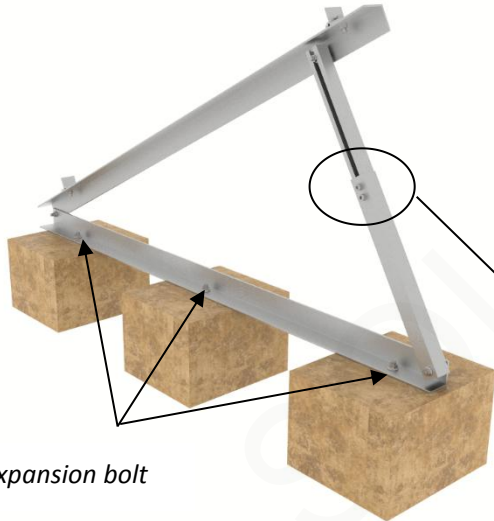


1. Component List

<i>Name</i>	<i>Adjustable Triangle Mount</i>	<i>Roof Rail</i>	<i>Roof Rail Connector</i>	<i>End Clamp</i>	<i>Mid Clamp</i>	<i>Rail Clamp</i>
<i>Picture</i>						

2. Installation Guide

Step 1 : Lock screws to fix Triangle Mount on the cement block, the Triangle Mount is pre-assembled on factory.



M10x80mm Expansion bolt



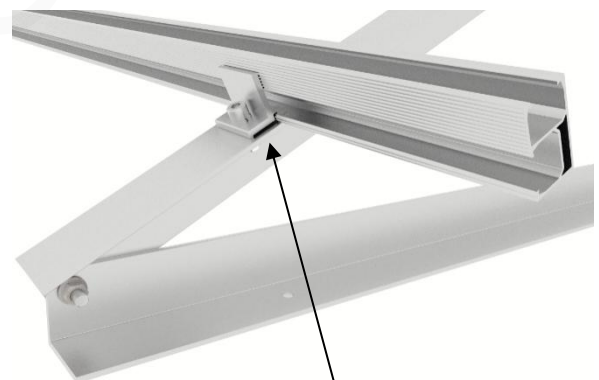
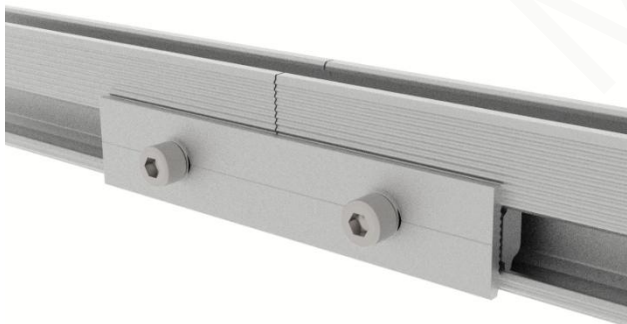
Pre-assembled state

Step 2: Calculate the suitable length of rear leg according to the required angle (for choices, 10°-15°, 15°-30° and 30°-60° support tubes are available). Then draw out or shorten the support tube and lock the 2 screws, assuring height of support tube keeping in the same line after adjust, for even loading requests on each section of rails.



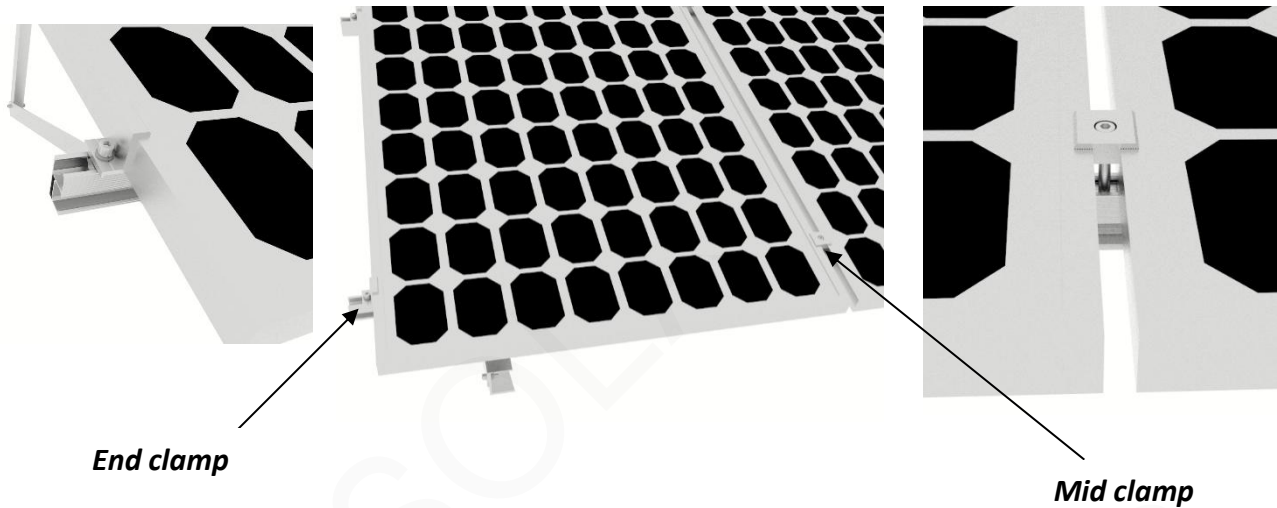
Step 3: Through Roof Rail Connector connect two rails.

Step 4: Put the rail onto the triangle mount, then use rail clamp to lock.



Rail clamp

Step 5: Fix panel onto the rail, and use mid clamp and end clamp to lock.



Step 6: Use the same method, install the left panel onto the triangle mount, use mid clamp to fix adjacent panel, the side through end clamp to fix. The lock method of mid clamp and rail is similar to the lock method of end clamp and rail, finish the final installation.

