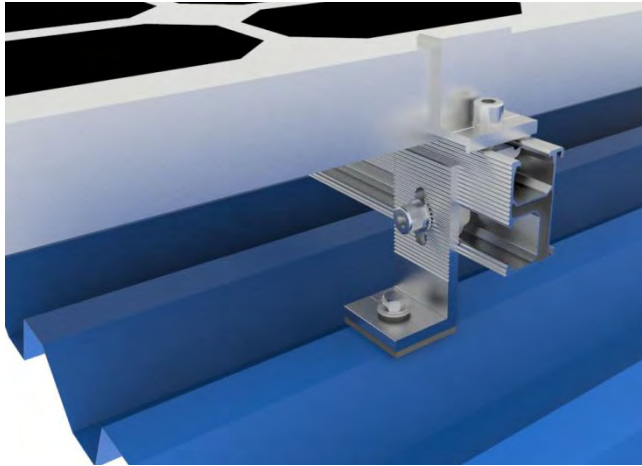


L Foot Mount



L Foot mount have been widely used on universal corrugated metal sheet roof. It also can fix to the roof rafter directly.

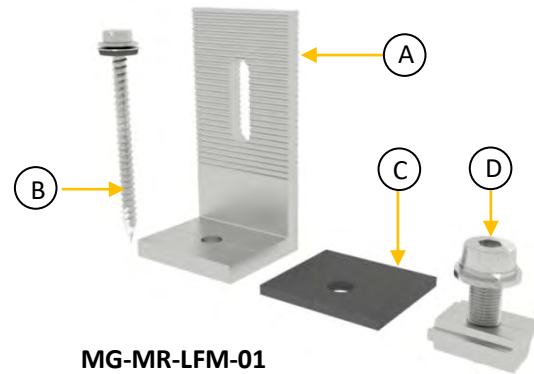
Plus, it can be applied with all kinds of hanger bolt and roof clamps.

Features

1. Simple and cost-effective installation
2. Material: Aluminum 6005-T5 & SUS 304
3. Waterproof rubber gasket integrated
4. Apply for many kinds of metal roof

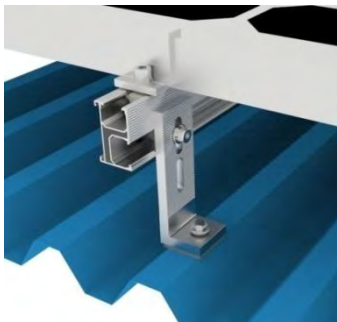
Components List

Components	Quantity
A. L Foot Mount	1
B. M6.3x80mm wood screw	1
C. Rubber Gasket	1
D. M8X25 SUS 304 bolt& rail nut & SUS washer	1



MG-MR-LFM-01

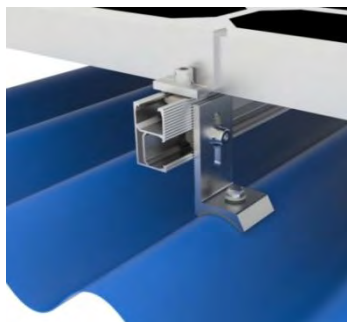
Specification



MG-MR-LFM-02



MG-MR-LFM-03



MG-MR-LFM-04

