



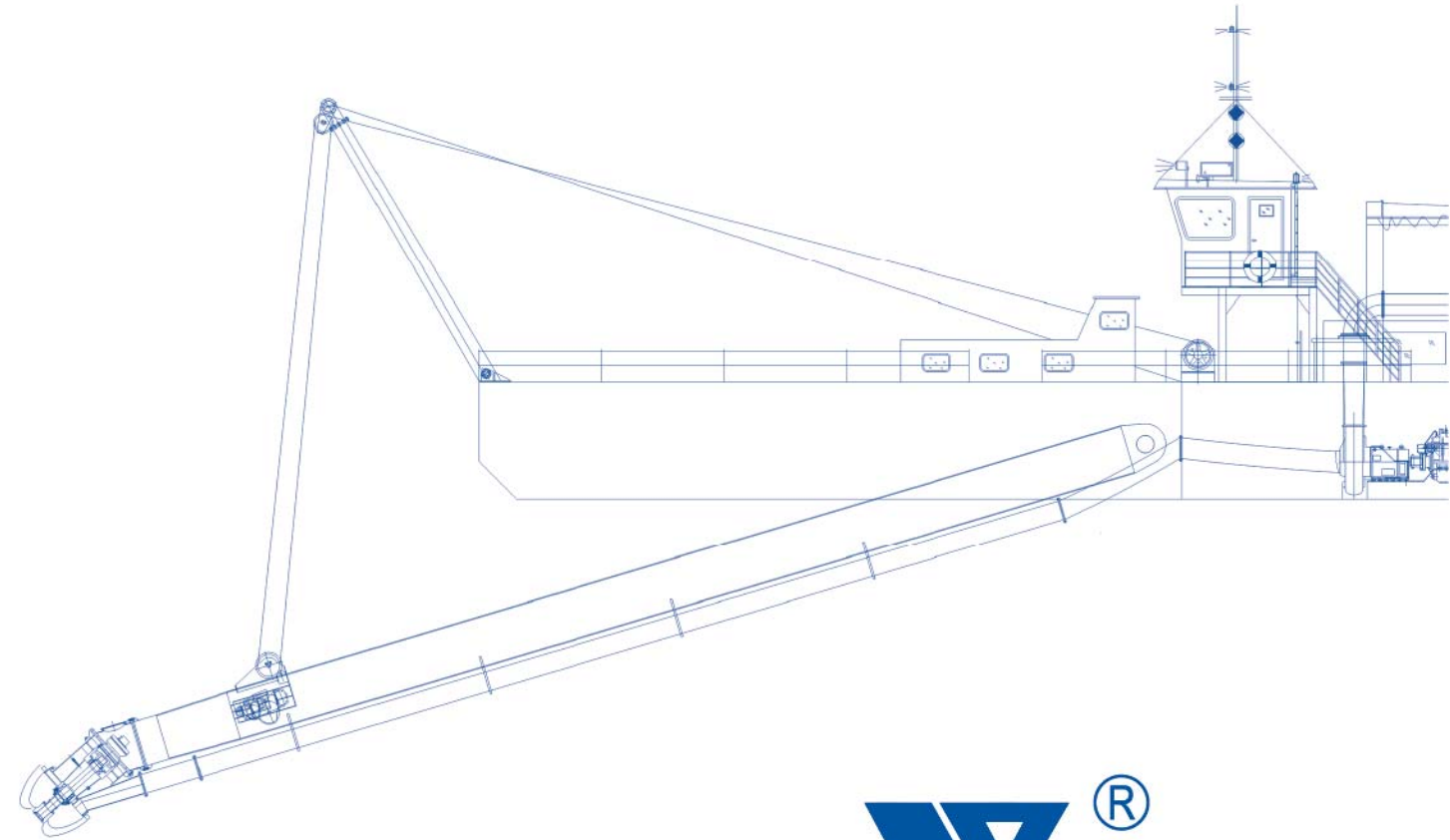
中文网站
Chinese website



英文网站
English website



永利船舶
YONGLI
DREDGER
Qingzhou Yongli Mining And Dredging Machinery Co., Ltd



青州市黄楼永利矿沙机械制造有限公司

Qingzhou Yongli Mining And Dredging Machinery Co.,Ltd

销售一部: 13905363915
销售二部: 0536-3837089
传 真: 0536-3836669
售 后 部: 0536-3838688
网 址: www.yonglichuanbo.com
邮 箱: wfyongli@163.com
地 址: 青州市黄楼工业园金柳路18号

Mob:0086-13905363915
Tel/Fax: 0086-536-3836669
Web:www.chinadredgers.com
E-mail:chinadredgers@163.com
Add:Masong Village, Huanglou Town,
Qingzhou City, Shandong Province, China



contents

目录



关于我们 / About us

企业简介 -----	01
Company Profile -----	
企业荣誉 -----	03
Company Honor -----	
合作单位 -----	04
Cooperation Partners -----	

产品介绍 / Product Introduction

清淤疏浚船舶 -----	05
Dredging Equipment -----	
保洁船 -----	22
Cleaning Boat -----	
链斗式选金选钻船 -----	23
Bucket Chain Type Gold/Diamond Dredger -----	
射吸式选金选钻船 -----	24
Jet Suction Gold/Diamond Dredger -----	
陆地选金设备 -----	25
Gold Washing Plant -----	
陆地选钻设备 -----	26
Diamond Washing Plant -----	
客商合影 -----	27
Customers' Photo -----	

企业简介 COMPANY PROFILE

青州市黄楼永利矿沙机械制造有限公司于1997年成立于山东省青州市，是集研发设计、制造生产、安装调试、施工运营、人员配备服务于一体的专业团队，是生产清淤疏浚船舶和选矿设备的制造商和供应商。

清淤疏浚船舶包括：绞吸式、斗轮式、耙吸式、链斗式、反铲式挖泥船，射吸式、虹吸式、钻探式清淤船，水陆两栖船、多功能工作船、趸船、打桩船、水上工作平台、自吸自卸船、运输船、割草船、垃圾打捞船等。

选矿设备包括：水上选矿平台、链斗式选金/选钻/选铁船、射吸式选金选钻船、绞吸式选金选钻船、陆地选金选钻设备、锆英砂提取设备、水上开采与陆地选矿整体配套生产线。

作为山东省高新技术企业，我公司取得了CCS船级社三级三类船舶生产许可，加入了中国疏浚协会、山东船舶工业行业协会，获得CCS船级社ISO9001-2015质量体系、环境体系、健康体系、能源体系认证证书，获得3A企业信用等级证书，获得中华人民共和国国家知识产权局的发明、实用新型等30余项专利证书，系列产品获得国际著名检测机构SGS、BV认证。与中国船舶集团714研究所、河海大学、武汉理工大学、大连理工大学船舶设计院、河北中钢设计院等达成战略合作。

我们凭借一流的产品质量和完整的售后服务体系赢得国内外客户广泛赞誉，产品出口到南美、东南亚、中东、中亚、非洲、欧洲等地的60余国家和地区，并在埃及、孟加拉、菲律宾、哈萨克斯坦、沙特、乌干达等地设有销售服务站。

我们将一如既往的本着诚信、互利、共同发展的宗旨，与国内外客商携手共进，引领未来！

Qingzhou Yongli Mining And Dredging Machinery Co., Ltd. is set up in 1997 and located in Qingzhou City, Shandong Province, one of the ancient nine states. We are a professional manufacturer and supplier of dredging vessels and mining equipment that integrates R&D, production, installation and commissioning, project operation, and personnel allocation services.

Dredging vessels include: cutter suction dredger, bucket wheel dredger, trailing suction dredger, backhoe dredger, jet suction dredger, siphon sand dredger, drilling suction sand dredger, chain bucket sand dredger, amphibious dredger, multi-functional work boat, pump barge, piling dredger, floating platform, self-suction and self-unloading barge, transport barge, cleaning boat, etc.

The mining equipment includes: floating production platform, bucket chain gold/diamond dredger, jet suction gold/diamond dredger, cutter suction gold/diamond dredger, land-use gold/diamond washing plant, sand sieving and washing equipment, as well as an integrated production line for mining and mineral processing in water and on land. It can also be customized according to the mineral types provided by customers.

We are High and New Technology Enterprise, have obtained the production license for Shipbuilding of Class III Grade Three from CCS China Classification Society, joined the China Dredging Association and Shandong Shipbuilding Industry Association, obtained the ISO9001-2015 quality management system certificate, and obtained more than 30 patent certificates for inventions and utility models from the China National Intellectual Property Administration. The Yongli series products have obtained the certification from international famous testing organizations like SGS and BV.

We have won widespread praise from domestic and foreign customers with our first-class product quality and complete after-sales service system. Our products are widely exported to more than 60 countries and regions in South America, Southeast Asia, South Asia, Middle Asia, Middle East, Africa. And we also build the after-sales service center in Egypt, Bangladesh, India, Kazakhstan, Saudi Arabs and Uganda.

We will continue to adhere to the principles of integrity, mutual benefit, and common development. Welcome domestic and foreign customers to visit us for factory inspection and business negotiation!



企业荣誉 COMPANY HONOR



合作单位 COOPERATION PARTNERS



品质卓越 荣誉共赢

Excellent quality, honor and win-win situation

YLCSD-800



技术参数/ Technical Parameter

型号	Model	YLCSD-800
流量	Slurry Capacity	10000m ³ /h
浓度	Slurry Concentration	15-20%
总长	Length Overall	58m
型宽	Breadth	11.0m
型高	Depth	3.0m
挖深	Dredging Depth	18m
排距	Discharge Distance	3000m
装机功率	Total Power	3950KW
油耗	Fuel Consumption	695L/H
绞刀轴功率	Cutter Shaft Power	1100KW

YLCSD-700



技术参数/ Technical Parameter

型号	Model	YLCSD-700
流量	Slurry Capacity	8000m ³ /h
浓度	Slurry Concentration	15-20%
总长	Length Overall	56m
型宽	Breadth	10.0m
型高	Depth	3.0m
挖深	Dredging Depth	18m
排距	Discharge Distance	3000m
装机功率	Total Power	2933KW
油耗	Fuel Consumption	516L/H
绞刀轴功率	Cutter Shaft Power	800KW

YLCS-650



技术参数/ Technical Parameter

型号	Model	YLCS-650
流量	Slurry Capacity	6000m ³ /h
浓度	Slurry Concentration	15-20%
总长	Length Overall	54m
型宽	Breadth	9.75m
型高	Depth	2.75m
挖深	Dredging Depth	18m
排距	Discharge Distance	2000m
装机功率	Total Power	2644KW
油耗	Fuel Consumption	465L/H
绞刀轴功率	Cutter Shaft Power	580KW

YLCS-550



技术参数/ Technical Parameter

型号	Model	YLCS-550
流量	Slurry Capacity	4000m ³ /h
浓度	Slurry Concentration	15-20%
总长	Length Overall	46m
型宽	Breadth	7.5m
型高	Depth	2.2m
挖深	Dredging Depth	14m
排距	Discharge Distance	1500m
装机功率	Total Power	1529KW
油耗	Fuel Consumption	269L/H
绞刀轴功率	Cutter Shaft Power	170KW

YLCSD-500



技术参数/ Technical Parameter

型号	Model	YLCSD-500
流量	Slurry Capacity	3500m ³ /h
浓度	Slurry Concentration	15-20%
总长	Length Overall	45m
型宽	Breadth	7.5m
型高	Depth	2.2m
挖深	Dredging Depth	14m
排距	Discharge Distance	1500m
装机功率	Total Power	1193KW
油耗	Fuel Consumption	210L/H
绞刀轴功率	Cutter Shaft Power	115KW

YLCSD-450



技术参数/ Technical Parameter

型号	Model	YLCSD-450
流量	Slurry Capacity	3000m ³ /h
浓度	Slurry Concentration	15-20%
总长	Length Overall	45m
型宽	Breadth	7.1m
型高	Depth	2.2m
挖深	Dredging Depth	14m
排距	Discharge Distance	1500m
装机功率	Total Power	993KW
油耗	Fuel Consumption	174L/H
绞刀轴功率	Cutter Shaft Power	100KW

YLCSD-400



技术参数/ Technical Parameter

型号	Model	YLCSD-400
流量	Slurry Capacity	2000m ³ /h
浓度	Slurry Concentration	15-20%
总长	Length Overall	44m
型宽	Breadth	6.8m
型高	Depth	2.0m
挖深	Dredging Depth	14m
排距	Discharge Distance	1500m
装机功率	Total Power	806KW
油耗	Fuel Consumption	141L/H
绞刀轴功率	Cutter Shaft Power	90KW

YLCSD-300



技术参数/ Technical Parameter

型号	Model	YLCSD-300
流量	Slurry Capacity	1500m ³ /h
浓度	Slurry Concentration	15-20%
总长	Length Overall	31m
型宽	Breadth	5.5m
型高	Depth	1.8m
挖深	Dredging Depth	12m
排距	Discharge Distance	1000m
装机功率	Total Power	447KW
油耗	Fuel Consumption	78L/H
绞刀轴功率	Cutter Shaft Power	55KW

YLCS D-250



技术参数/ Technical Parameter

型号	Model	YLCS D-250
流量	Slurry Capacity	800m ³ /h
浓度	Slurry Concentration	15-20%
总长	Length Overall	29m
型宽	Breadth	5.25m
型高	Depth	1.5m
挖深	Dredging Depth	10m
排距	Discharge Distance	800m
装机功率	Total Power	330KW
油耗	Fuel Consumption	58L/H
绞刀轴功率	Cutter Shaft Power	37KW

YLCS D-200



技术参数/ Technical Parameter

型号	Model	YLCS D-200
流量	Slurry Capacity	500m ³ /h
浓度	Slurry Concentration	15-20%
总长	Length Overall	28m
型宽	Breadth	4.7m
型高	Depth	1.26m
挖深	Dredging Depth	8m
排距	Discharge Distance	500m
装机功率	Total Power	258KW
油耗	Fuel Consumption	45L/H
绞刀轴功率	Cutter Shaft Power	22KW

工作船 WORK BOAT



技术参数/ Technical Parameter

型号	Model	YL-200
长	Length	13m
宽	Width	3.3m
高	Depth	1.6m
油箱	Tank Capacity	10T
功率	Power	201KW
桨叶直径	Blade Diameter	850mm
抛锚绞车	Anchor Winch	40KN
悬臂吊	Crane Capacity	3T

工作船 WORK BOAT



技术参数/ Technical Parameter

型号	Model	YL-400
长	Length	17m
宽	Width	3.7m
高	Depth	1.8m
油箱	Tank Capacity	15T
功率	Power	402KW
桨叶直径	Blade Diameter	850mm
抛锚绞车	Anchor Winch	60KN
悬臂吊	Crane Capacity	5T

产品展示 / PRODUCT DISPLAY



斗轮式挖泥船 Bucket Wheel Dredger



耙吸式挖泥船 Trailing Suction Dredger



链斗式挖沙船 Bucket Chain Sand Dredger

产品展示 / PRODUCT DISPLAY



钻吸式清淤船 Drilling Suction Dredger



射吸式抽沙船 Jet Suction Dredger



深水泵抽沙船 Deepwater-pump Sand Dredger

产品展示 / PRODUCT DISPLAY



反铲式挖泥船 Backhoe Dredger



水陆两栖船 Amphibious Multi-function Dredger



水陆两栖挖机 Amphibious Multi-function Excavator

产品展示 / PRODUCT DISPLAY



开体驳船 Split Hopper Barge



甲板驳船 Deck Barge



皮带运输船 Transport Barge With Convey Belt

产品展示 / PRODUCT DISPLAY



水上工作平台 Floating Work Platform



浮船式取水泵站 Floating Water Intake Station



趸船 Floating Dock

保洁船 CLEANING BOAT



技术参数 / Technical Parameter

型号 Model	外形尺寸 L*W*H	处理面积 Working Capacity	工作深度 Working Depth	功率 Total Power	卸载高度 Unload Height	储量 Load Capacity
YLWH-100	10X4.4X1.8m	500m ² /h	0.6-0.8m	45KW	2m	3-5m ³
YLWH-150	13.5X4.4X2.5m	1000m ² /h	0.6-0.8m	56KW	2.5m	8-12m ³
YLWH-200	17X4.5X4m	2000m ² /h	0.6-0.8m	75KW	3m	15-26m ³

我们可以根据客户的要求提供定制化的产品。We can supply customized products based on customer's requirements.

链斗式选金选钻船 BUCKET CHAIN TYPE GOLD/DIAMOND DREDGER



技术参数/ Technical Parameter

型号 Model	生产能力 Working Capacity	功率 Power	用水量 Water Consumption	下挖深度 Dredging Depth	回收率 Recovery Rate
YL-50	50m ³ /h	50-100KW	100m ³	4-25m	90-95%
YL-100	100m ³ /h	100-150KW	200m ³	4-25m	90-95%
YL-150	150m ³ /h	150-200KW	300m ³	5-25m	90-95%
YL-200	200m ³ /h	200-250KW	400m ³	5-25m	90-95%
YL-250	250m ³ /h	250-300KW	500m ³	5-25m	90-95%
YL-300	300m ³ /h	350-400KW	600m ³	5-25m	90-95%

我们可以根据客户的要求提供定制化的产品。We can supply customized products based on customer's requirements.

射吸式选金选钻船 JET SUCTION GOLD/DIAMOND DREDGER



技术参数/ Technical Parameter

型号 Model	产量 Working Capacity	功率 Power	下抽深度 Dredging Depth	回收率 Recovery Rate
YL-50	50m ³ /h	80KW	2-25m	90-95%
YL-100	100m ³ /h	150KW	2-25m	90-95%
YL-200	200m ³ /h	250KW	3-25m	90-95%
YL-300	300m ³ /h	400KW	4-25m	90-95%
YL-400	400m ³ /h	500KW	5-25m	90-95%
YL-500	500m ³ /h	650KW	5-25m	90-95%

我们可以根据客户的要求提供定制化的产品。We can supply customized products based on customer's requirements.

陆地选金设备 GOLD WASHING PLANT



技术参数/ Technical Parameter

型号 Model	处理量 Working Capacity	功率 Power	用水量 Water Consumption	回收率 Recovery Rate
YL-10	10m ³ /h	30KW	20m ³	90-95%
YL-50	50m ³ /h	50KW	100m ³	90-95%
YL-100	100m ³ /h	100KW	200m ³	90-95%
YL-150	150m ³ /h	150KW	300m ³	90-95%
YL-200	200m ³ /h	200KW	400m ³	90-95%
YL-250	250m ³ /h	250KW	500m ³	90-95%
YL-300	300m ³ /h	300KW	600m ³	90-95%

我们可以根据客户的要求提供定制化的产品。We can supply customized products based on customer's requirements.

陆地选钻设备 DIAMOND WASHING PLANT



技术参数/ Technical Parameter

型号 Model	处理量 Working Capacity	功率 Power	用水量 Water Consumption	回收率 Recovery Rate
YL-50	50m ³ /h	50KW	100m ³	90-95%
YL-100	100m ³ /h	100KW	200m ³	90-95%
YL-150	150m ³ /h	150KW	300m ³	90-95%
YL-200	200m ³ /h	200KW	400m ³	90-95%
YL-250	250m ³ /h	250KW	500m ³	90-95%
YL-300	300m ³ /h	300KW	600m ³	90-95%

我们可以根据客户的要求提供定制化的产品。We can supply customized products based on customer's requirements.

客商合影 CUSTOMERS' PHOTO



客商合影 CUSTOMERS' PHOTO

